

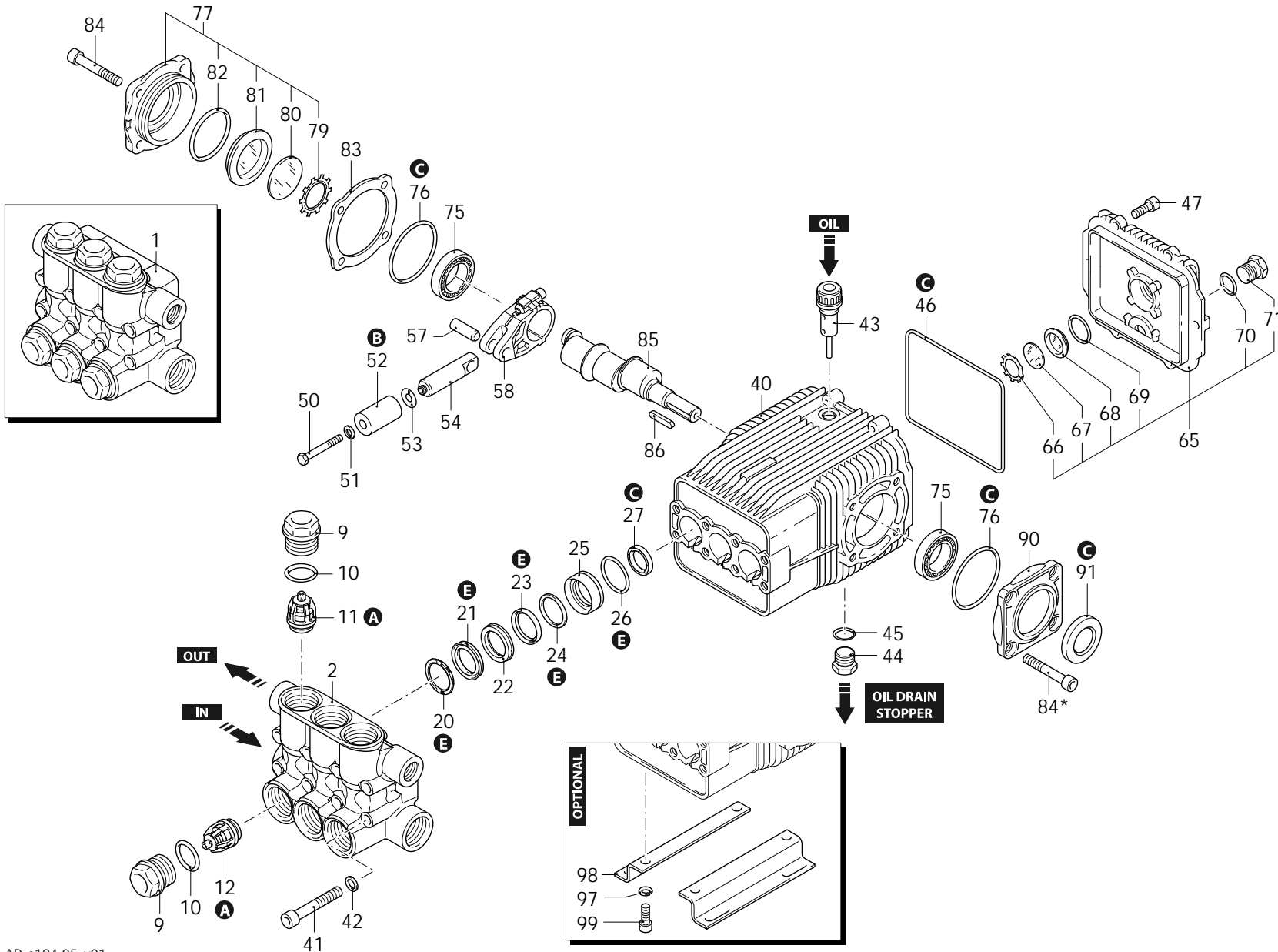
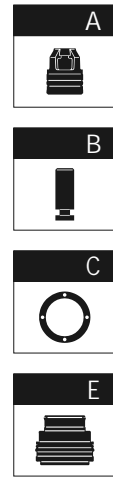


Series 194
XWP

N

1450rpm

ø 24mm



AR_s194-05_v01

13/05/2023



Series 194
XWP

N

1450rpm

Ø 24mm

P	Code	Description	Q	Note	Validity	P	Code	Description	Q	Note	Validity
1	1949251	Head assembly	Ø 30	1		77	1949011	Cover	1		
2	1943620	Head		1		79	100410	O-ring	Ø 34,6x2,62	1	
9	1943630	Plug		6		80	1941290	Ring		1	
10	390291	O-ring	Ø 28,25x2,62	6		81	1941260	Plate		1	
11	3669051	Complete valve	delivery	3		82	1941270	Level gauge		1	
12	3669050	Complete valve	suction	3		83	1941390	Shim 0.05mm		1	
20	1943650	Ring	Ø 30,2x40x4,2	3		83	1941400	Shim 0.10mm		1	
21	1943660	Gasket	30x40x6	3		83	1941410	Shim 0.19mm		1	
22	1943670	Piston guide	front Ø 30	3		83	1941420	Shim 0.25mm		1	
23	1943680	Gasket	30x38x5,5	3	Lubricate with grease Molykote PG54	84	850370	Screw	TCEI M8x16	4	C=24,5Nm
24	3660500	Ring	anti-extrusion	3	Lubricate with grease Molykote PG54	84*	850370	Screw	TCEI M8x16	4	C=24,5Nm
25	1943700	Piston guide	rear Ø 30	3		85	1940970	Shaft	7 marked	1	
26	1140490	O-ring	Ø 37,82x1,78	3		86	650250	Key		1	
27	1943730	Ring	seal	3		90	1941240	Support		1	
40	1941330	Pump body		1		91	820681	Ring	seal	1	Screw with Loxeal 55-14 / C=10Nm
41	850260	Screw	TCEI M10x90	8	C=50Nm	97	200231	Washer		4	
42	650530	Washer		8		98	1940370	Foot		2	
43	1140370	Plug		1		99	1940380	Screw	TCEI 10x18	4	C=50Nm
44	1980740	Plug	3/8" G brass	1	C=20Nm	A	42835	Valve kit		1	
45	740290	O-ring	Ø 14x1,78	1	Lubricate with grease Molykote PG54	B	43444	Piston kit	Ø 30	1	
46	1940410	O-ring	Ø 132x3	1		C	43445	Oil seal kit		1	
47	1200430	Screw	TCEI M6x16	6	Screw with Loxeal 55-14 / C=10Nm	E	43446	Water seal kit	Ø 30	1	
50	1941640	Screw	TE M6x60	3	Screw with Loxeal 55-14 / C=7Nm						
51	1340600	Washer		3							
52	1943610	Piston	Ø 30	3							
53	1383190	Plate		3							
54	1940960	Piston	guide	3							
57	1940060	Pin		3							
58	1940051	Connecting-rod	aluminium	3	Lubricate with grease Molykote BR2 PLUS / C=20Nm						
65	1949010	Cover	complete	1							
66	1260430	Ring		1							
67	1780690	Plate		1							
68	1260250	Level gauge		1							
69	1140450	O-ring	Ø 20,24x2,62	1	Lubricate with grease Molykote PG54						
70	740290	O-ring	Ø 14x1,78	1	Lubricate with grease Molykote PG54						
71	1980740	Plug	3/8" G brass	1	C=20Nm						
75	1140410	Bearing		2							
76	1941380	O-ring	Ø 66,34x2,62	2							

Revision: 1

Oil type: SAE 15W40

Attachment:

Date: 13/05/2023

Oil quantity: 0,870 Kg

C= Tightening torque (Tolerance +0 ÷ -10%)

** = Not present for electric pump*