



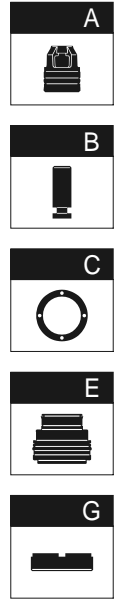
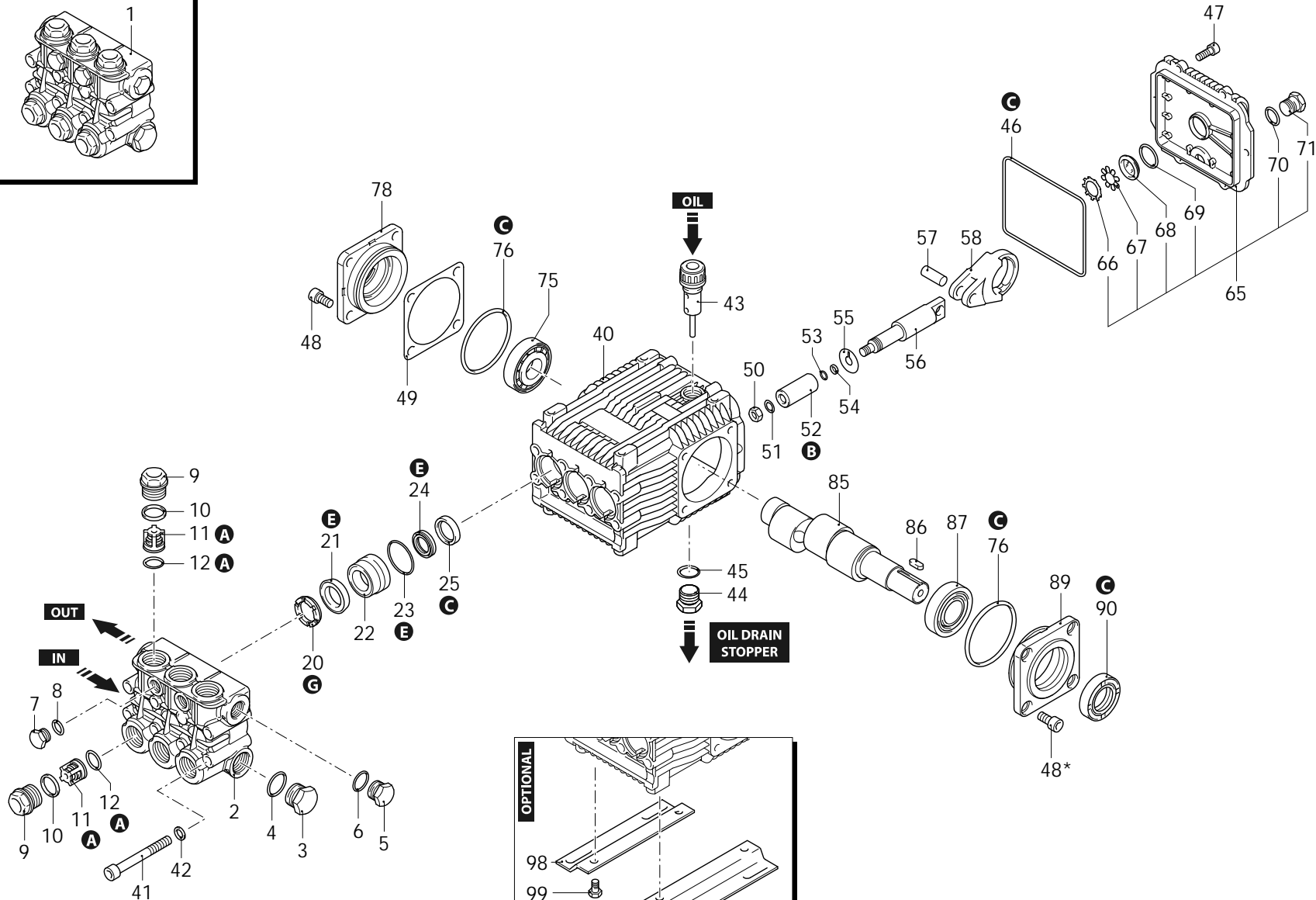
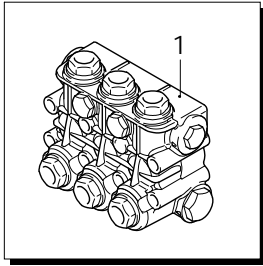
Series 228

RK

N

1450rpm

ø 24mm



AR_s228-02_v01

13/05/2023



Series 228

RK

N

1450rpm

ø 24mm

P	Code	Description	Q	Note	Validity	P	Code	Description	Q	Note	Validity
1	1389270	Head assembly	1	Ø 18		57	1380060	Pin	3		
2	1381071	Head	1	brass		58	1383050	Connecting-rod	3	aluminium	
3	820361	Plug	1	1/2" G brass	C=40Nm	65	1789010	Cover	1	complete	
4	180101	O-ring	1	Ø 17,5x2	Lubricate with grease Molykote PG54	66	1260430	Ring	1		
5	1980740	Plug	1	3/8" G brass	C=20Nm	67	1780690	Plate	1		
6	740290	O-ring	1	Ø 14x1,78	Lubricate with grease Molykote PG54	68	1260250	Level gauge	1		
7	880581	Plug	1	1/4" G brass	Screw with Loxeal 55-14 / C=15Nm	69	1140450	O-ring	1	Ø 20,24x2,62	Lubricate with grease Molykote PG54
8	820510	O-ring	1	Ø 10,82x1,78		70	740290	O-ring	1	Ø 14x1,78	Lubricate with grease Molykote PG54
9	960090	Plug	6	brass	Screw with Loxeal 55-14 / C=54Nm	71	1980740	Plug	1	3/8" G brass	C=20Nm
10	960160	O-ring	6	Ø 17,86x2,62	Lubricate with grease Molykote PG54	75	2280340	Bearing	1		
11	1389051	Complete valve	6			76	640030	O-ring	2	Ø 59,99x2,62	
12	880830	O-ring	6	Ø 15,54x2,62		78	1380050	Support	1	open bearing	
20	960110	Ring	3	support Ø 18		85	2280060	Shaft	1	1 marked	
21	1382740	Water seal	3	Ø 18	Lubricate with grease Molykote PG54	86	1380520	Key	1		
22	1380090	Piston guide	3	Ø 18		87	1383140	Bearing	1		
23	961240	O-ring	3	Ø 31,47x1,78		89	1380040	Support	1	open bearing	
24	880330	Water seal	3	Ø 18		90	2282260	Ring	1	seal	Assemble with tool [2281010]
25	880520	Ring	3	seal		98	1380141	Foot	2		C=20Nm
40	1382770	Pump body	1			99	1263130	Screw	4	TE M8x12	C=20Nm
41	820150	Screw	8	TCEI M8x70	C=25Nm	A	2864	Valve kit	1		
42	1381850	Washer	8			B	2757	Piston kit	1	Ø 18	
43	880130	Plug	1			C	1855	Oil seal kit	1		
44	1980740	Plug	1	3/8" G brass	C=20Nm	E	1857	Water seal kit	1	Ø 18	
45	740290	O-ring	1	Ø 14x1,78	Lubricate with grease Molykote PG54	E	2809	Water seal kit	1	Ø 18 Viton	
46	1780510	O-ring	1	Ø 106x3		G	1829	Support ring kit	1	Ø 18	
47	1343510	Screw	6	TCEI M6x14	C=10Nm						
48	850370	Screw	4	TCEI M8x16	C=24,5Nm						
48*	850370	Screw	4	TCEI M8x16	C=24,5Nm						
49	1380120	Shim 0.10mm	1								
49	1380130	Shim 0.19mm	1								
49	1380530	Shim 0.25mm	1								
50	962010	Nut	3								
51	962000	Washer	3		Screw with Loxeal 55-14 / C=20Nm						
52	1380940	Piston	3	Ø 18							
53	600180	O-ring	3	Ø 7,66x1,78							
54	1080401	Ring	3	anti-extrusion							
55	1380950	Plate	3								
56	1380920	Piston	3	guide							

Revision: 1

Oil type: SAE 15W40

Attachment:

Date: 13/05/2023

Oil quantity: 0,435 Kg

C= Tightening torque (Tolerance +0 ÷ -10%)

* = Not present for electric pump