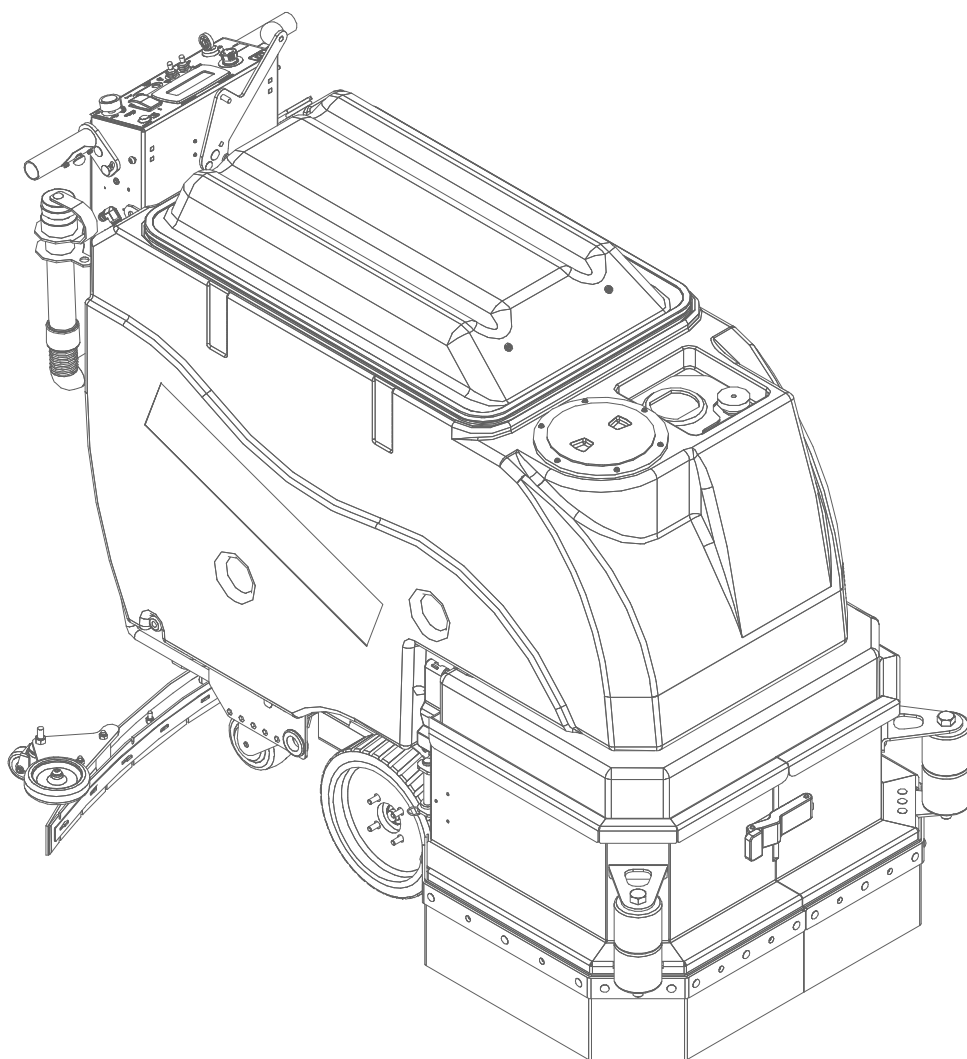


## Parts Manual (EN)



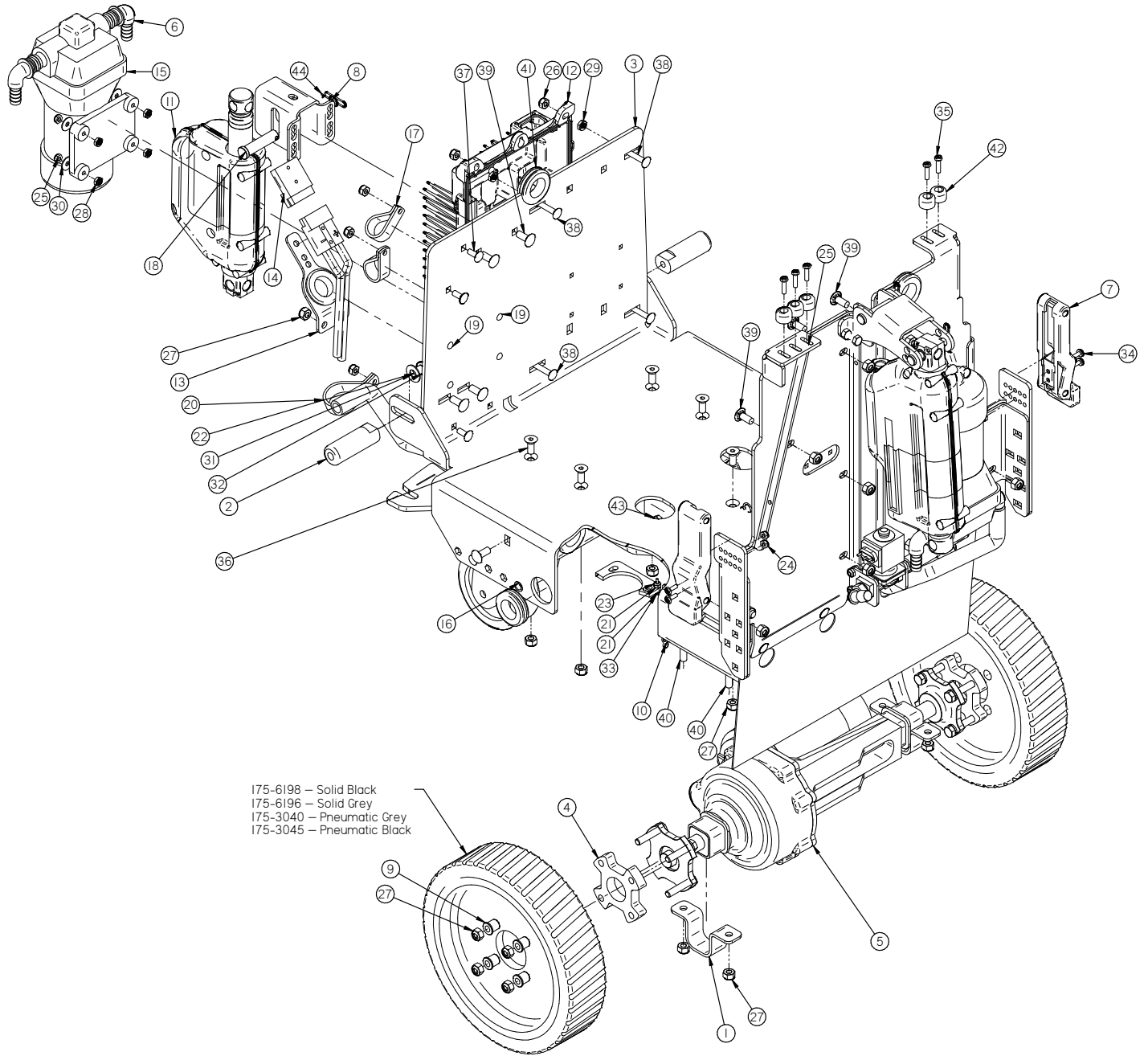
Read Operation Instructions  
before using the machine.



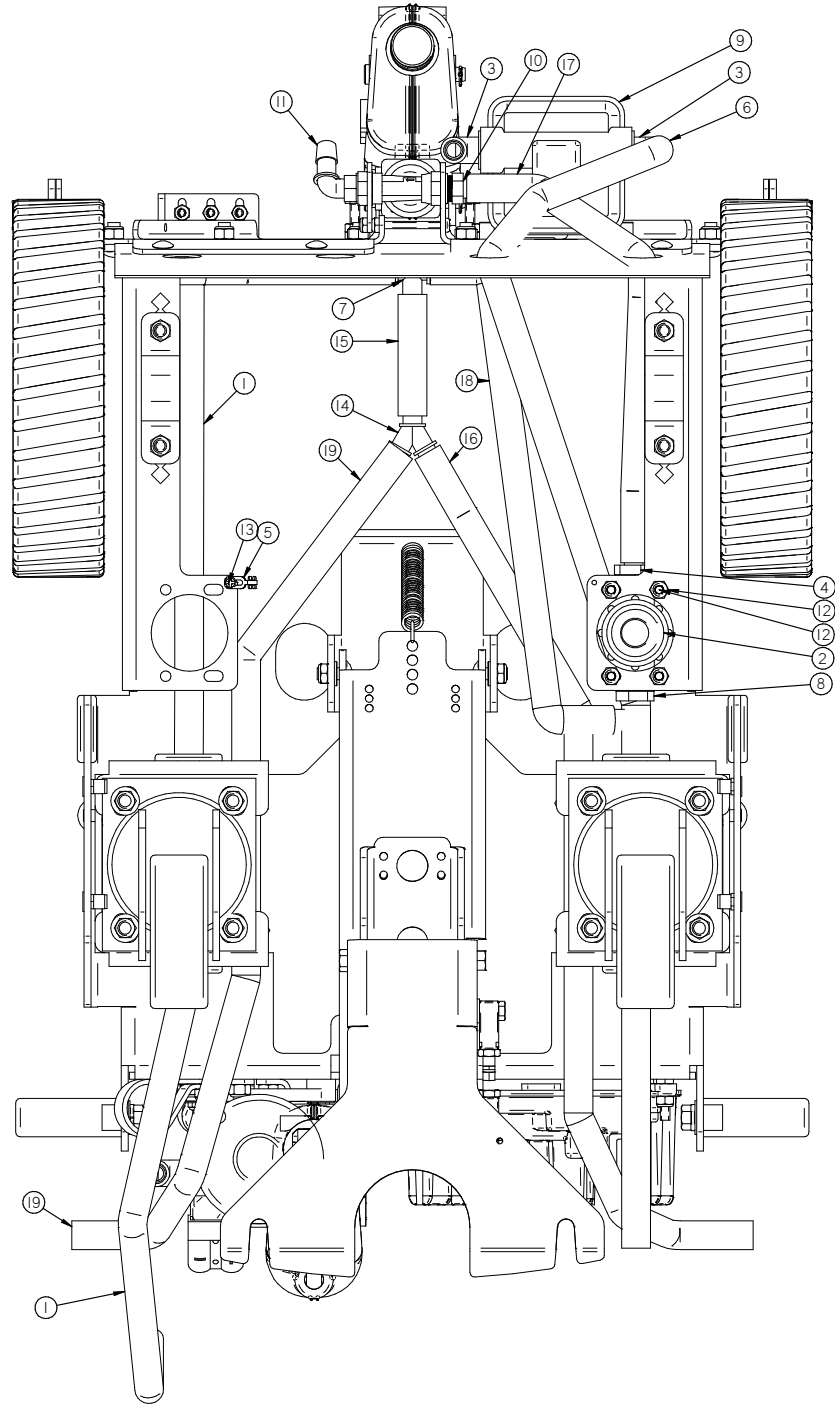
Read the Safety Messages  
before using the machine.



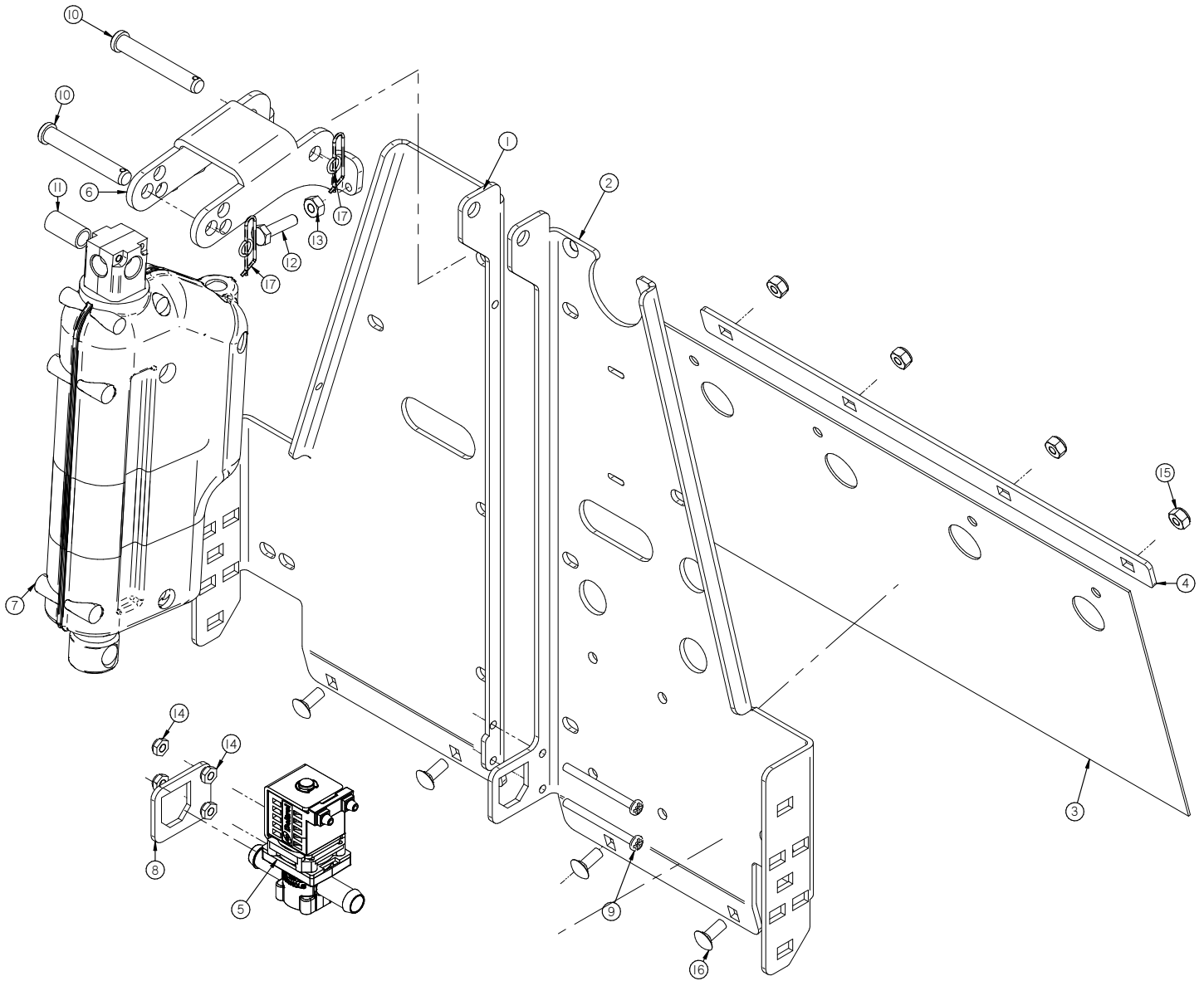
Frame Assembly.....	4
Frame Assembly - Bottom View .....	5
Actuator & Frame Support.....	6
Squeegees .....	7
Squeegee Drag Link.....	8
Caster Foot Assembly .....	9
26 Inch - 28 Inch Disk Decks for Jaws .....	10
26 Inch - 28 Inch Disk Decks for Shrouds .....	11
Disk Shrouds .....	12
Cylindrical Door Assembly.....	13
Jaws Assembly - Right Side .....	14
Jaws Assembly - Left Side.....	15
Cylindrical Decks.....	16
Cylindrical Drive Assembly .....	17
ORBITAL Decks.....	18
ORBITAL Lifting Bracket.....	19
Standard XL Tank Assembly.....	20
Standard XL Tank - Drain Saver, Vac Box, Baffle Assembly .....	21
Standard XL Tank - Vacuum Bandeau Assembly .....	22
Smaller Optional Tank Assembly .....	23
Smaller Optional - Drain Saver, Vac Box, Baffle Assembly .....	24
Smaller Optional - Vacuum Bandeau Assembly .....	25
Legacy Central Command Assembly .....	26
Military Central Command Assembly.....	28
Touch Screen Central Command Assembly .....	30
Batteries & Chargers .....	32
ZerO3 Onboard Option Assembly .....	33
ZerO3 Onboard Option Plumbing.....	34
Onboard Charger, Spray Jet, & Actuator Lift Option.....	35
Off-Aisle Vacuum Wand.....	36
Common Wear Parts .....	38
Common Wear Parts .....	39
Tank Stickers .....	40



Item	Part No.	Part Description	Qty.	Item	Part No.	Part Description	Qty.
1	175-0999	AXLE MOUNT	2	23	H-70855	NYLOK #6-32 SS	1
2	175-1060	2-3/4" BOSS	2	24	H-70856	NYLOK #8-32 SS	4
3	175-1100	MAINFRAME	1	25	H-70858	NYLOK #10-32 SS	17
4	175-3001	PNUMATIC TIRE SPACER	2	26	H-70860	NYLOK 1/4" - 20 SS	11
5	175-3009	TRANSAXLE 19.41	1	27	H-70861	NYLOK 5/16" - 18 SS	35
6	21-1601	1/2" BARBED ELBOW (PLASTIC)	4	28	H-70923	KN #10-32 SS	10
7	250-1240	LATCH	2	29	H-70925	KN 1/4-20 S/S	4
8	253-1099	AUTO SQUEEGEE LIFT BRACKET	1	30	H-71010	FW #10 ID X 11/16 OD SS	10
9	253-1245	BUSHING	8	31	H-71017	FW 3/8 ID X 7/8 OD SS	2
10	253-1618	GROUNDING CHAIN, 12"	1	32	H-71067	LW 3/8" SS	2
11	253-2240	2" STROKE 24V ACTUATOR 450 LB LOAD	1	33	H-72388	PPH #6-32 X 3/4" SS	1
12	264-2440	ONBOARD CHARGER	1	34	H-72398	PPH #8-32 X 1/2" S/S	4
13	264-9516	CHARGER CONECTOR BRACKET	1	35	H-72416	PPHMS #10-32 X 3/4" S/S	5
14	4-259	CONNECTOR, RED 50, HOUSING ONLY	2	36	H-73907	FHSCS 5/16" - 18 X 3/4" SS	5
15	5-891	PUMP, WATER JET	2	37	H-74418	CB 1/4" - 20 X 5/8" S/S	3
16	H-00918	HCN 1/4"-20 LG	4	38	H-74421	CB 1/4" - 20 X 1-1/4" SS	4
17	H-0127295	RUBBER LOOP CLAMP, 3/4"	2	39	H-74429	CB 5/16" - 18 X 3/4" SS	20
18	H-0156771	CLEVIS PIN, 1/2" OD X 2" LG	1	40	H-74430	CB 5/16" - 18 X 1" SS	4
19	H-0172522	CB #10-32 X 1-1/4" SS	8	41	H-9307K74	GROMMET, 1" ID X 1-3/4" OD BUNA-N	5
20	H-32273	RUBBER LOOP CLAMP, 1-1/2"	1	42	H-9540	RUBBER BUMPER, 25/32"	5
21	H-33733	#6 STAR WASHER	2	43	H-NJ05C	JNYL 5/16"- 18 SS	2
22	H-70105	HCS 3/8"- 16 X 1" SS	2	44	H-RUE22	1/2" RUE RING COTTER	1



Item	Part No.	Part Description	Qty.
1	175-1370	SIGHT TUBE	1
2	175-9130	INLINE FILTER	1
3	21-1601	1/2" BARBED ELBOW (PLASTIC)	2
4	21-1606	1/2 MALE NPT X 1/2" BARB	1
5	253-1618	GROUNDING CHAIN, 12"	1
6	290-8960	SPRAY JET HOSE	1
7	5-446	1/2 " PLASTIC BARB TEE	1
8	5-447	1/2 NPT X 1/2" BARB ELBOW	1
9	5-891	PUMP, WATER JET	1
10	H-04763	.375 NPT X .50 BARB	1
11	H-04763	ELBOW, 90 DEG X 3/8" MNPT X 1/2" BARB, NYLON	1
12	H-70860	NYLOK 1/4"- 20 SS	1
13	H-72388	PPH #6-32 X 3/4" SS	1
14	M-5463K727	WYE, 1/2", NYLON	1
15	T-050R6000	BULK 1/2"ID X 5' WIRE REINFORCED SOLUTION HOSE	1
16	T-050R6000	BULK 1/2"ID X 5' WIRE REINFORCED SOLUTION HOSE	1
17	T-050R6000	BULK 1/2"ID X 5' WIRE REINFORCED SOLUTION HOSE	1
18	T-050R6000	BULK 1/2"ID X 5' WIRE REINFORCED SOLUTION HOSE	1
19	T-050R6000	BULK 1/2"ID X 5' WIRE REINFORCED SOLUTION HOSE	1

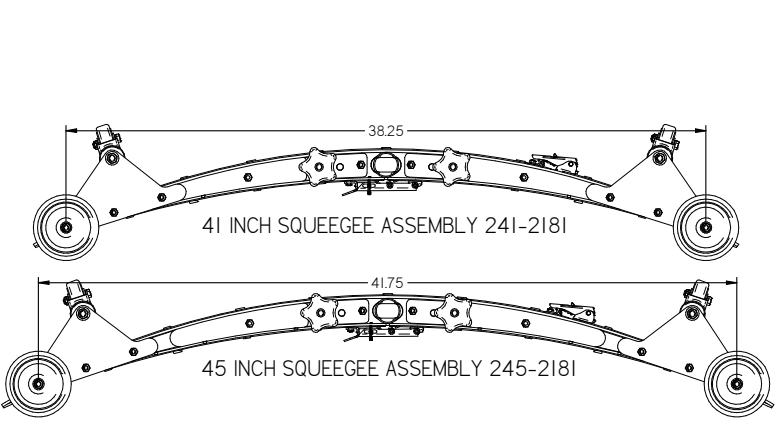
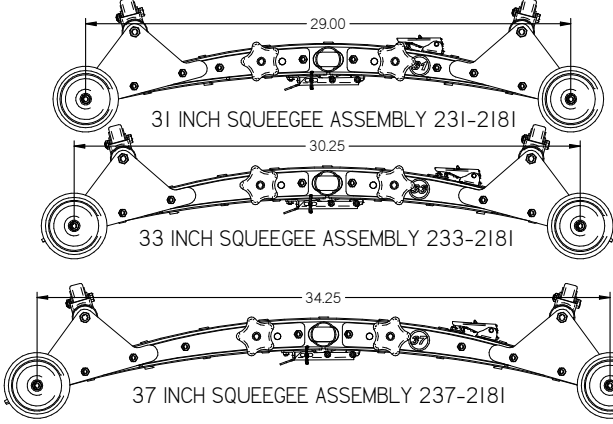
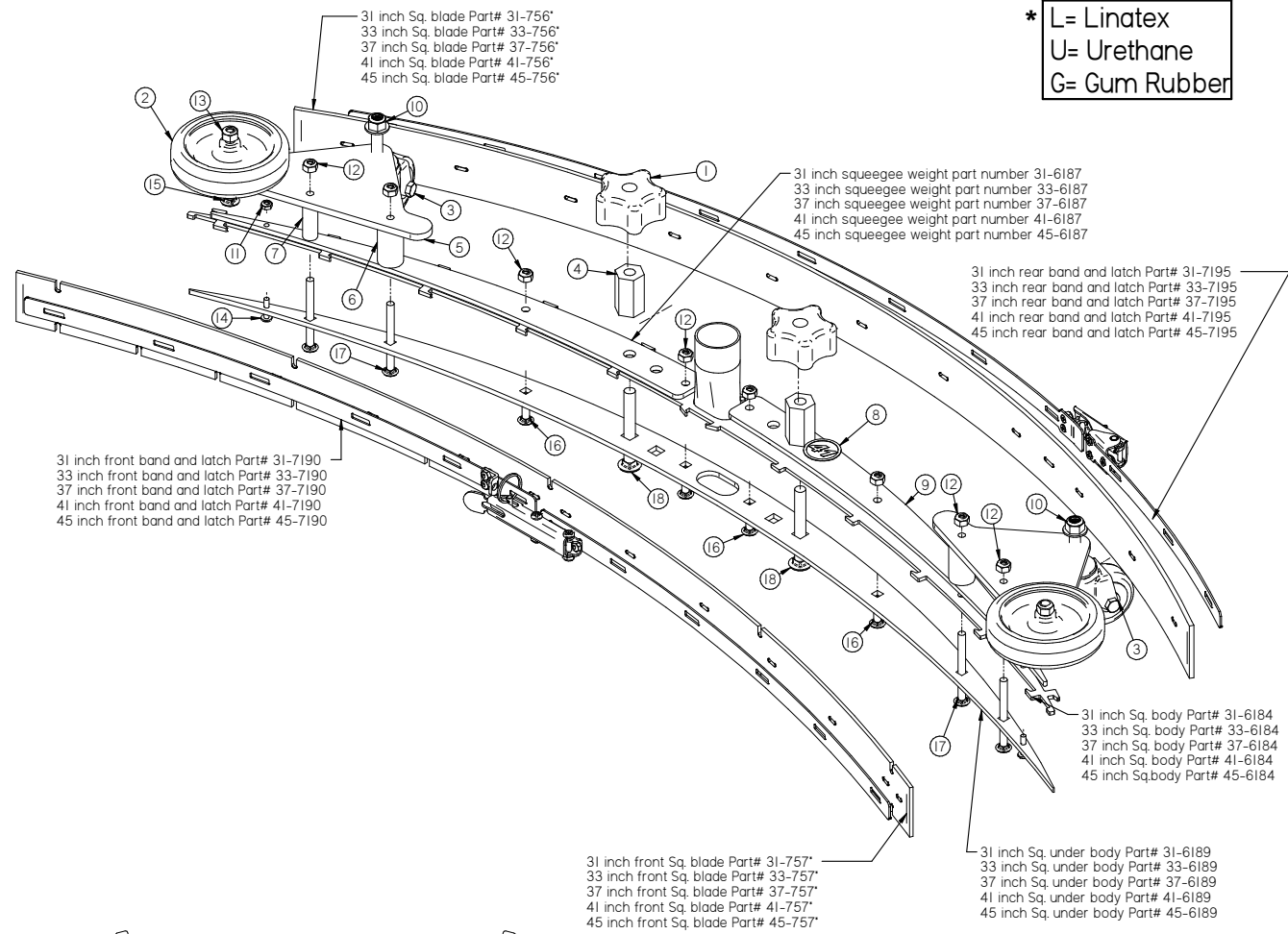


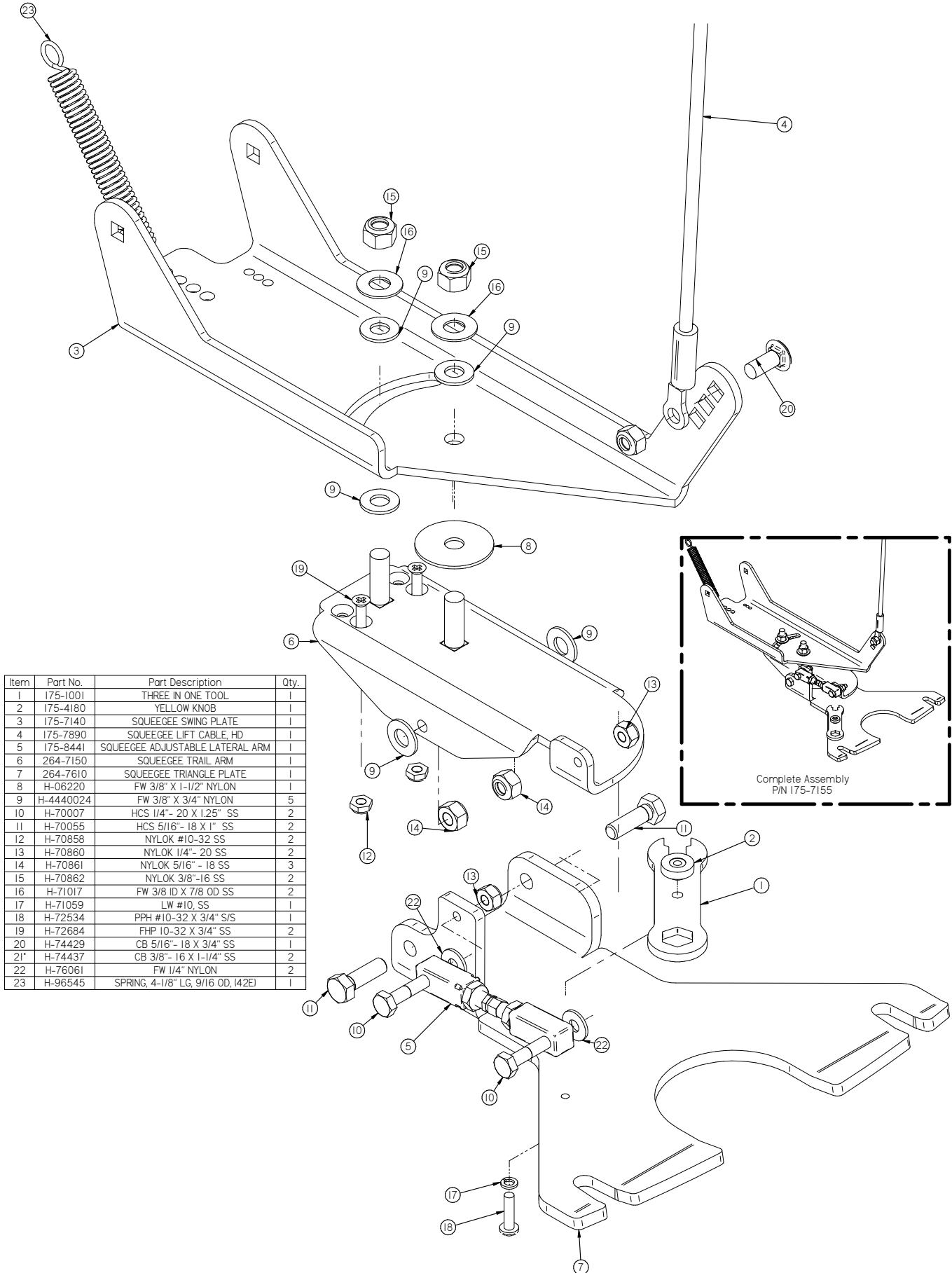
Item	Part No.	Part Description	Qty.
1	I75-1011L	LEFT LIFT ARM SUPPORT BRACKET	1
2	I75-1011R	RIGHT LIFT ARM SUPPORT BRACKET	1
3	I75-1015	FRAME CURTAIN	1
4	I75-1020	BAND, FRAME CURTAIN	1
5	I75-4500	24V VALVE	1
6	264-1151	ACTUATOR ARM	1
7	264-2210	4" STROKE 24V ACTUATOR 1000 LB LOAD	1
8	264-5280	VALVE BRACKET	1
9	H-00249	PPH #10-32 X 2 1/4" SS	2
10	H-15675	CLEVIS PIN, 3/8" X 2-1/2"	2
11	H-63917	SLEEVE, .50 OD X .375 ID X 1.0 LG	1
12	H-70005	HCS 1/4"- 20 X 1" SS	2
13	H-70710	HN 1/4"- 20 SS	2
14	H-70858	NYLOK #10-32 SS	4
15	H-70860	NYLOK 1/4"- 20 SS	4
16	H-74418	CB 1/4"- 20 X 5/8" S/S	4
17	H-RUE14	3/8" RUE RING COTTER	2

Squeegees

Item	Part No.	Part Description	Qty.
1	150-5786	STAR KNOB, 3/8-16 THREAD	2
2	150-7600	4" SIDE WHEEL (GREY)	2
3	253-7570	CASTER	2
4	33-8460	STANDOFF, 1.5"	2
5	35-7183	SQUEEGEE CASTER BRACKET	2
6	41-0007	SQUEEGEE ROLLER SPACER	2
7	41-0008	SQUEEGEE ROLLER SPACER	2
8	41-1600	41 inch sticker	1
9	41-6187	SQUEEGEE WEIGHT	2
10	H-0129152A	FLANGED NUT 3/8-16	2
11	H-70856	NYLOK #8-32 SS	2
12	H-70860	NYLOK 1/4"- 20 SS	8
13	H-70861	NYLOK 5/16" - 18 SS	2
14	H-72416	PPH #8-32 X 3/4" S/S	2
15	H-74401	CB 5/16"- 18 X 1-3/4" SS	2
16	H-74420	CB 1/4"- 20 X 1.0" SS	4
17	H-74425	CB 1/4"- 20 X 2-3/4" SS	4
18	H-74441	CB 3/8"- 16 X 3.0" SS	2

\* L= Linatex  
 U= Urethane  
 G= Gum Rubber



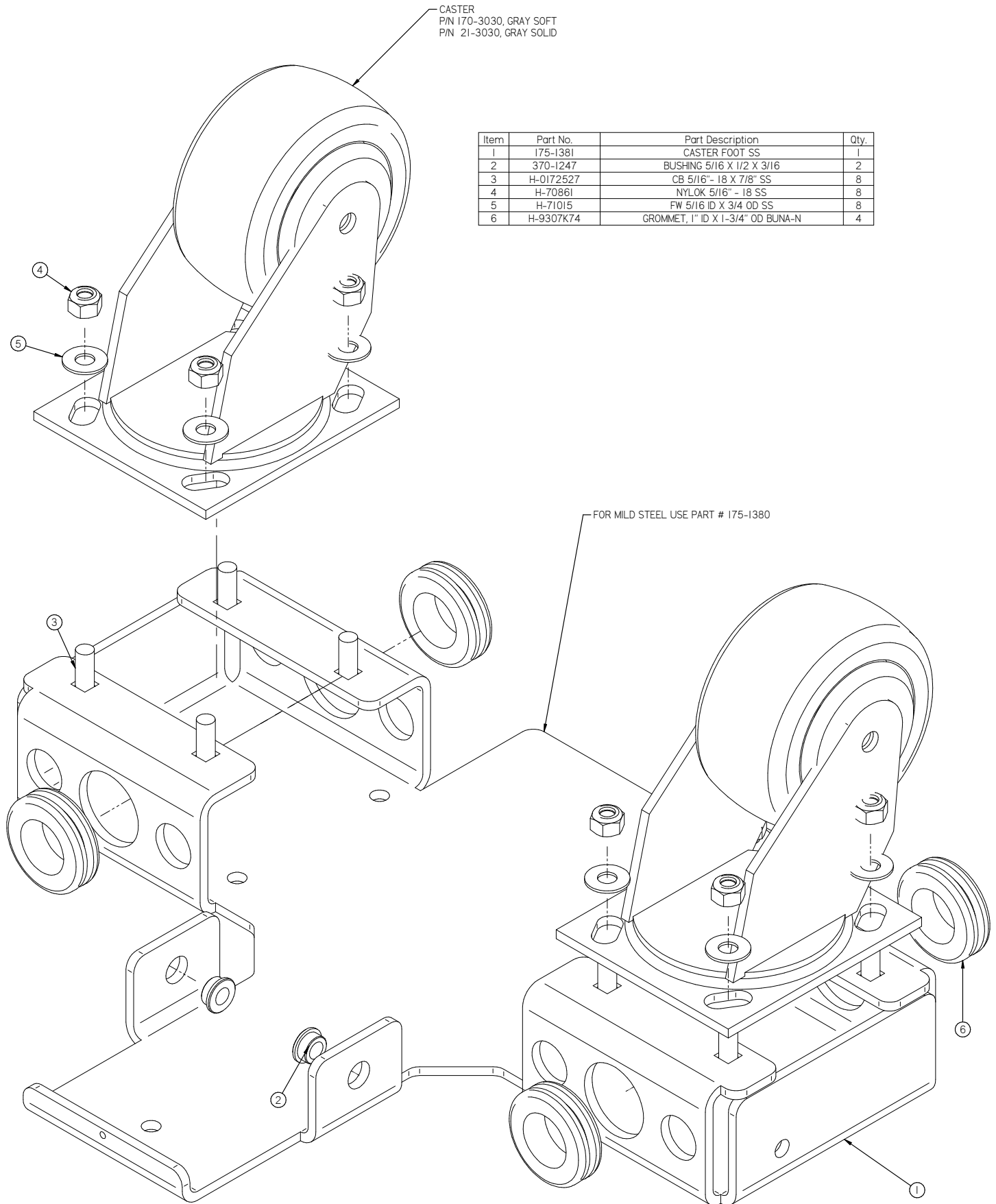


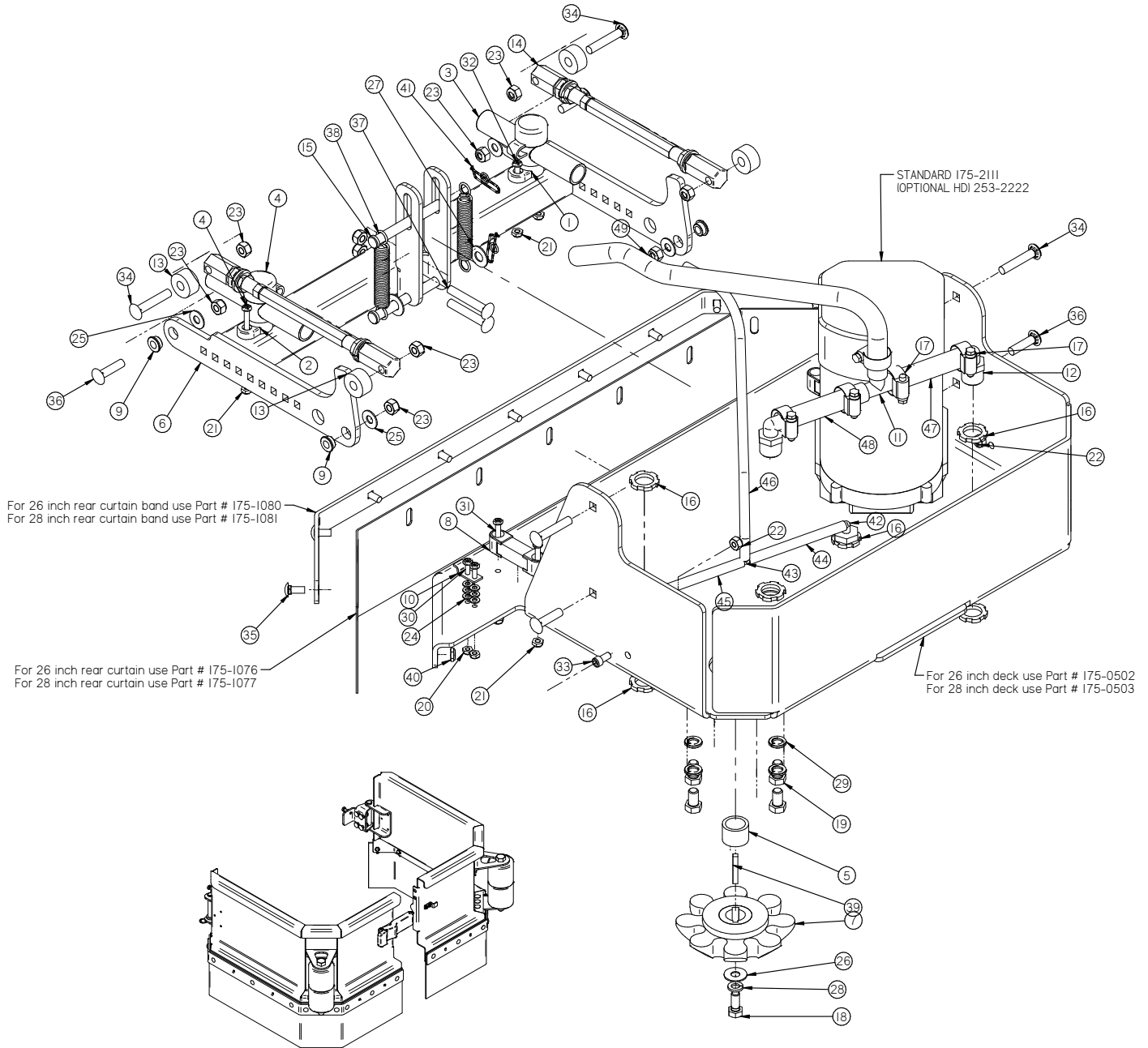


Caster Foot Assembly

CASTER  
 P/N 170-3030, GRAY SOFT  
 P/N 21-3030, GRAY SOLID

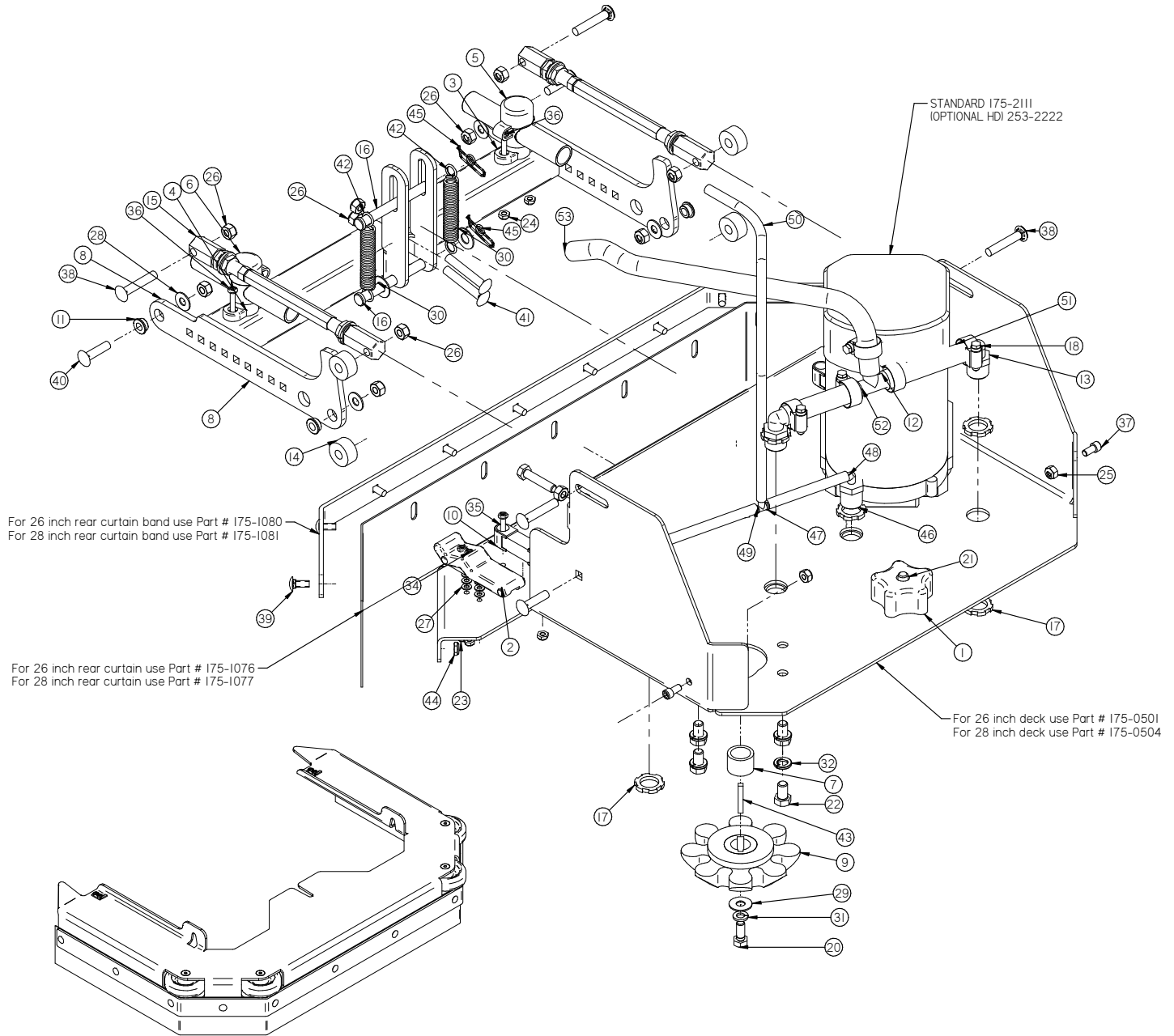
Item	Part No.	Part Description	Qty.
1	175-1381	CASTER FOOT SS	1
2	370-1247	BUSHING 5/16 X 1/2 X 3/16	2
3	H-0172527	CB 5/16"- 18 X 7/8" SS	8
4	H-70861	NYLOK 5/16" - 18 SS	8
5	H-71015	FW 5/16 ID X 3/4 OD SS	8
6	H-9307K74	GROMMET, 1" ID X 1-3/4" OD BUNA-N	4



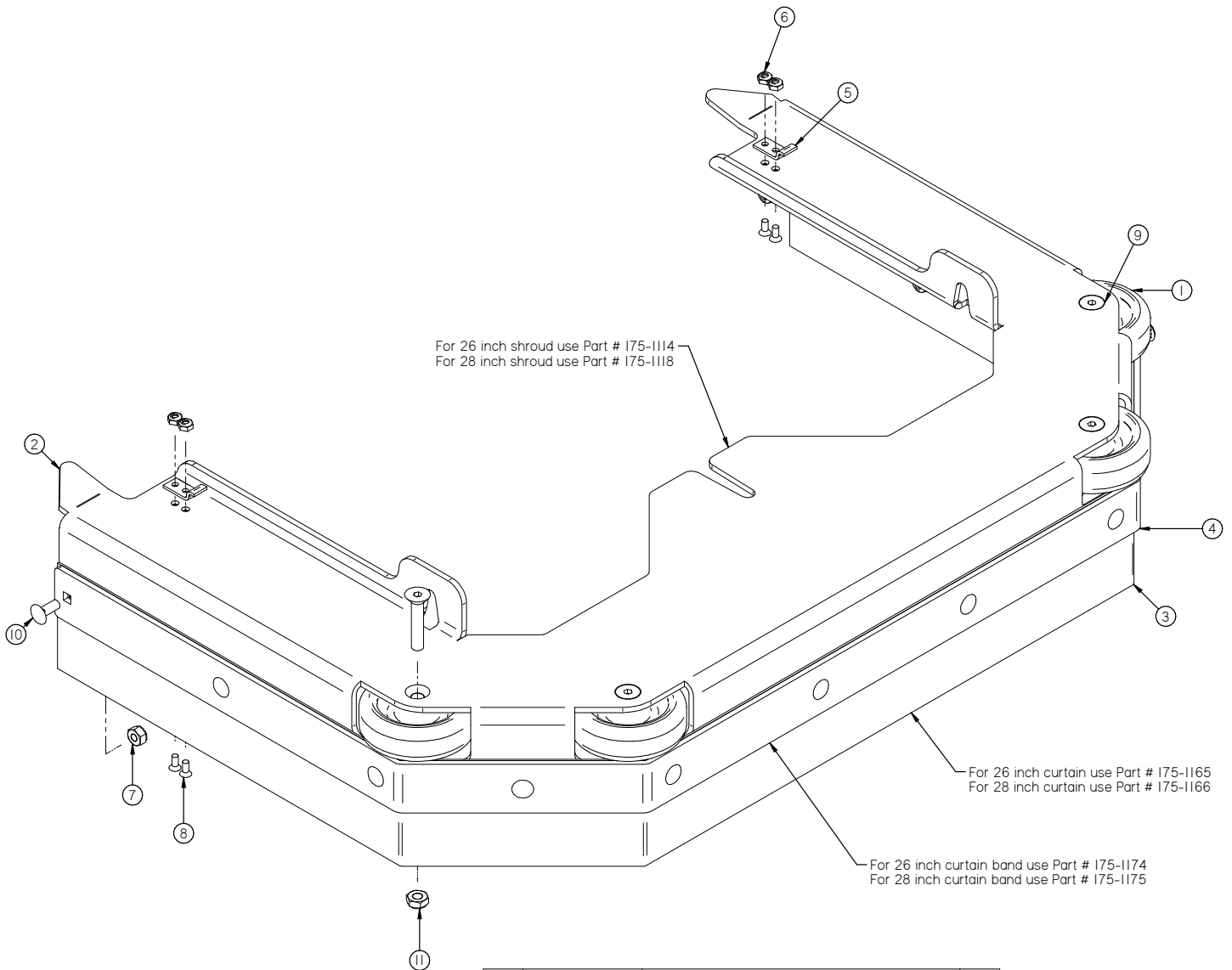


Item	Part No.	Part Description	Qty.	Item	Part No.	Part Description	Qty.
1	175-2700	NEG INSULATOR POST (BLACK)	1	25	H-71015	FW 5/16 ID X 3/4 OD SS	4
2	175-2710	POS INSULATOR POST (RED)	1	26	H-71016	FW 5/16 ID X 7/8 OD SS	2
3	175-2780	BLACK INSULATOR BOOT	1	27	H-71017	FW 3/8 ID X 7/8 OD SS	2
4	175-2790	RED INSULATOR BOOT	1	28	H-71065	LW 5/16" SS	2
5	175-5005	DRIVER SPACER	2	29	H-71067	LW 3/8" SS	8
6	175-9586	SCRUBDECK LIFT ARM DISK/EDGE	1	30	H-72399	PPH #8-32 X 5/8" S/S	4
7	264-5003	BRUSH DRIVER ROUNDED TOOTH	2	31	H-72534	PPH #10-32 X 3/4" S/S	4
8	300-4030	LEVEL	2	32	H-72556	PPH #10-32 X 2" SS	4
9	370-1247	BUSHING 5/16 X 1/2 X 3/16	4	33	H-73459	SHCS 1/4-20 X 1/2 SS	2
10	4-124	CLIP LATCH	2	34	H-74401	CB 5/16" - 18 X 1-3/4" SS	4
11	5-446	1/2" PLASTIC BARB TEE	1	35	H-74418	CB 1/4" - 20 X 5/8" S/S	9
12	5-447	1/2 NPT X 1/2" BARB ELBOW	2	36	H-74431	CB 5/16" - 18 X 1-1/4" SS	4
13	8-618	SPACER	4	37	H-74433	CB 5/16" - 18 X 2" SS	2
14	9-25	9.25" ADJUSTABLE LATERAL ARM	2	38	H-96544	SPRING 4-1/8" LG X 9/16" OD (42E)	2
15	H-0156758	3/8" X 3-1/2" CLEVIS PIN	2	39	H-K14320	3/16" X 1 1/4" KEY	2
16	H-07005	1/2" NPT LOCKNUT	8	40	H-NJ04C	JNYL 1/4" - 20 SS	9
17	H-081	CLAMP 1.0" - 1-1/8" SS	5	41	H-RUE14	3/8" RUE RING COTTER	2
18	H-70053	HCS 5/16" - 18 X 3/4" SS	2	42	M-5463K494	1/2 NPT X 1/4" BARB ELBOW	2
19	H-70140	HCS 3/8" - 24 X 5/8" SS	8	43	M-5463K606	1/4" X 1/4" PLASTIC BARBED TEE	1
20	H-70856	NYLOK #8-32 SS	4	44	T-025B6000	BULK 1/4" X 5' BLUE ZERO HOSE	1
21	H-70858	NYLOK #10-32 SS	8	45	T-025B6000	BULK 1/4" X 5' BLUE ZERO HOSE	1
22	H-70860	NYLOK 1/4" - 20 SS	2	46	T-025B6000	BULK 1/4" X 5' BLUE ZERO HOSE	1
23	H-70861	NYLOK 5/16" - 18 SS	10	47	T-050R6000	BULK 1/2" X 5' WIRE REINFORCED SOLUTION HOSE	1
24	H-71007	FW #8 SS	12	48	T-050R6000	BULK 1/2" X 5' WIRE REINFORCED SOLUTION HOSE	1
				49	T-050R6000	BULK 1/2" X 5' WIRE REINFORCED SOLUTION HOSE	1

26 Inch - 28 Inch Disk Decks for Shrouds

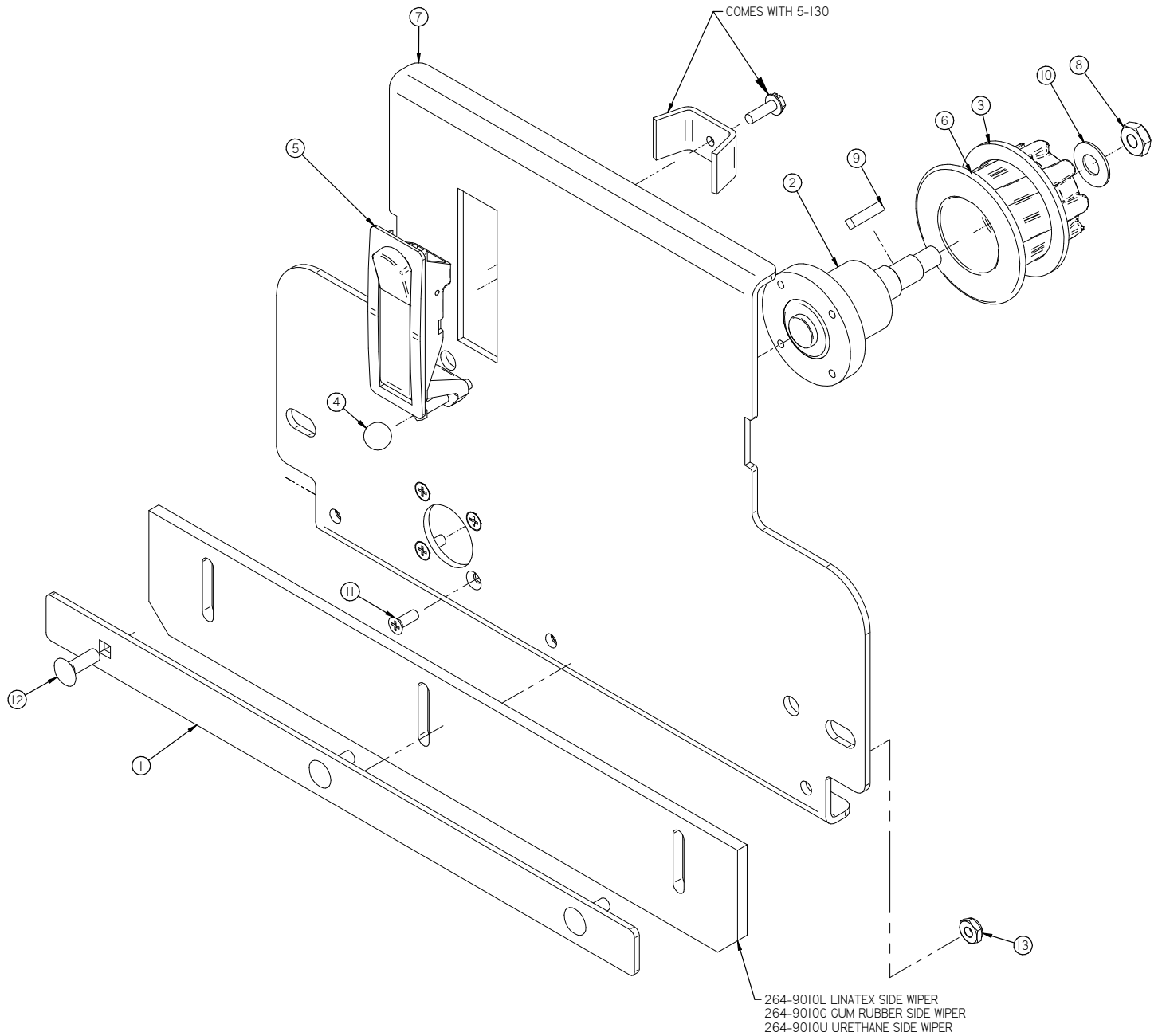


Item	Part No.	Part Description	Qty.	Item	Part No.	Part Description	Qty.
1	I50-5786	STAR KNOB, 3/8-16 THREAD	1	28	H-71015	FW 5/16 ID X 3/4 OD SS	4
2	I70-1240	LATCH	2	29	H-71016	FW 5/16 ID X 7/8 OD SS	2
3	I75-2700	NEG INSULATOR POST (BLACK)	1	30	H-71017	FW 3/8 ID X 7/8 OD SS	2
4	I75-2710	POS INSULATOR POST (RED)	1	31	H-71065	LW 5/16" SS	2
5	I75-2780	BLACK INSULATOR BOOT	1	32	H-71067	LW 3/8" SS	9
6	I75-2790	RED INSULATOR BOOT	1	33*	H-71180	HCS 5/16"- 18 X 1-1/2" FULLY THREADED	2
7	I75-5005	DRIVER SPACER	2	34	H-72399	PPH #8-32 X 5/8" S/S	4
8	I75-9586	SCRUBDECK LIFT ARM, DISK/EDGE	1	35	H-72534	PPH #10-32 X 3/4" S/S	4
9	264-5003	BRUSH DRIVER ROUNDED TOOTH	2	36	H-72556	PPH #10-32 X 2" SS	4
10	300-4030	LEVEL	2	37	H-73459	SHCS 1/4-20 X 1/2 SS	2
11	370-1247	BUSHING 5/16 X 1/2 X 3/16	4	38	H-74401	CB 5/16"- 18 X 1-3/4" SS	4
12	5-446	1/2" PLASTIC BARB TEE	1	39	H-74418	CB 1/4"- 20 X 5/8" S/S	9
13	5-447	1/2 NPT X 1/2" BARB ELBOW	2	40	H-74431	CB 5/16"- 18 X 1-1/4" SS	4
14	8-618	SPACER	4	41	H-74433	CB 5/16"- 18 X 2" SS	2
15	9-25	9.25" ADJUSTABLE LATERAL ARM	2	42	H-96544	SPRING, 4-1/8" LG X 9/16" OD (42E)	2
16	H-0156758	3/8" X 3-1/2" CLEVIS PIN	2	43	H-K14320	3/16" X 1 1/4" KEY	2
17	H-07005	1/2" NPT LOCKNUT	8	44	H-NJ04C	JNYL 1/4" - 20 SS	9
18	H-081	CLAMP 1/0"- 1-1/8" SS	5	45	H-RUE14	3/8" RUE RING COTTER	2
19*	H-36104	HN 5/16"-18	2	46	M-5463K494	1/2 NPT X 1/4" BARB ELBOW	2
20	H-70053	HCS 5/16"- 18 X 3/4" SS	2	47	M-5463K606	1/4" X 1/4" PLASTIC BARBED TEE	1
21	H-70111	HCS 3/8"- 16 X 2" SS	1	48	T-025B6000	BULK 1/4" X 5' BLUE ZERO HOSE	1
22	H-70140	HCS 3/8"-24 X 5/8" SS	8	49	T-025B6000	BULK 1/4" X 5' BLUE ZERO HOSE	1
23	H-70856	NYLOK #8-32 SS	4	50	T-025B6000	BULK 1/4" X 5' BLUE ZERO HOSE	1
24	H-70858	NYLOK #10-32 SS	8	51	T-050R6000	BULK 1/2" X 5' WIRE REINFORCED SOLUTION HOSE	1
25	H-70860	NYLOK 1/4"- .20 SS	2	52	T-050R6000	BULK 1/2" X 5' WIRE REINFORCED SOLUTION HOSE	1
26	H-70861	NYLOK 5/16"- 18 SS	10	53	T-050R6000	BULK 1/2" X 5' WIRE REINFORCED SOLUTION HOSE	1
27	H-71007	FW #8 SS	12				

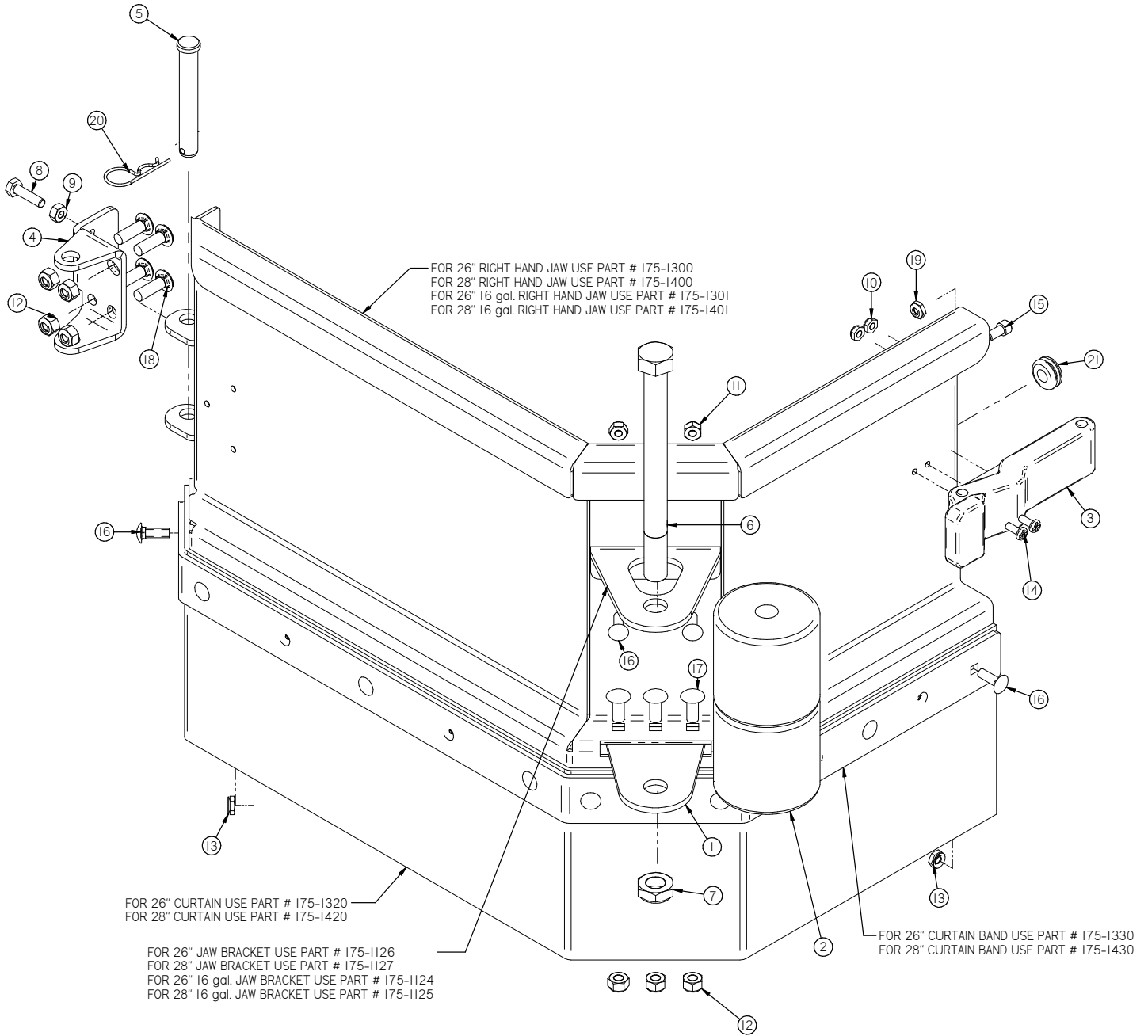


Item	Part No.	Part Description	Qty.
1	150-7601	3" SIDE WHEEL (GREY)	4
2	175-1114	SHROUD, 26"	1
3	175-1165	26" SHROUD CURTAIN	1
4	175-1174	26" SHROUD CURTAIN BAND	1
5	4-124	CLIP, LATCH	2
6	H-70856	NYLOK #8-32 SS	4
7	H-70860	NYLOK 1/4"- 20 SS	12
8	H-72641	FHP #8-32 X 3/8" SS	4
9	H-73911	FHSCS 5/16"- 18 X 1-5/8" SS	4
10	H-74418	CB 1/4"- 20 X 5/8" S/S	12
11	H-NJ05C	JNYL 5/16"- 18 SS	4

## Cylindrical Door Assembly

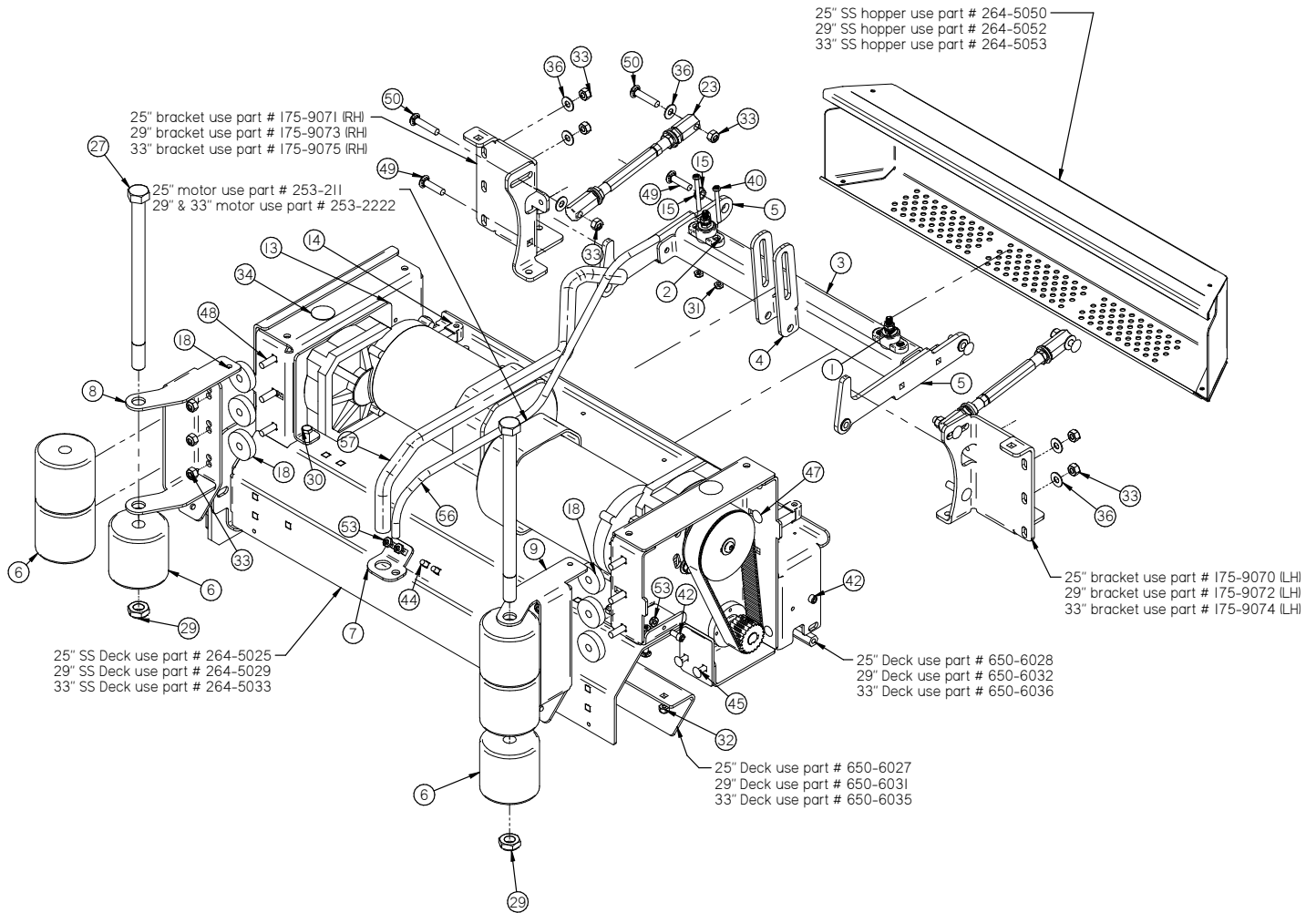


Item	Part No.	Part Description	Qty.
1	264-9015	WIPER BAND	1
2	370-8241A	IDLER DRIVE BEARING	1
3	370-8373	CYLINDRICAL DRIVER SEAL	1
4	5-100	GROMMET	1
5	5-130	DOOR LATCH	1
6	600-8371	CYLINDRICAL DRIVER (HARDCOAT)	1
7	650-6022	DRIVE COVER (SSI)	1
8	H-0171004	JNYL 3/8 - 24 SS	1
9	H-0953152	3/16" X 3/4" KEY	1
10	H-71017	FW 3/8 ID X 7/8 OD SS	1
11	H-72682	FHP #10-32 X 1/2" SS	4
12	H-74419	CB 1/4" - 20 X .75" SS	3
13	H-NJ04C	JNYL 1/4" - 20 SS	3



Item	Part No.	Part Description	Qty.
1	175-1128	ROLLER BRACKET	1
2	21-1127	ROLLER	2
3	250-1240	LATCH	1
4	264-1160R	RH JAW HINGE, INNER	1
5	H-0156776	1/2" X 3.5" CLEVIS PIN	1
6	H-13327	HB 5/8"- 11 X 7"	1
7	H-37038	JNYL 5/8"- 11	1
8	H-70005	HCS 1/4"- 20 X 1" SS	1
9	H-70710	HN 1/4"- 20 SS	1
10	H-70858	NYLOK #10-32 SS	2
11	H-70860	NYLOK 1/4"- 20 SS	2
12	H-70861	NYLOK 5/16" - 18 SS	7
13	H-70925	KN 1/4-20 S/S	9
14	H-72515	PPH #10-32 X 1/2" S/S	2
15	H-73459	SHCS 1/4-20 X 1/2 SS	1
16	H-74419	CB 1/4"-20 X .75" SS	11
17	H-74429	CB 5/16"- 18 X 3/4" SS	3
18	H-74430	CB 5/16"- 18 X 1" SS	4
19	H-NJ04C	JNYL 1/4" - 20 SS	1
20	M-92391A044	HAIRPIN, 5/16" - 3/8" X 1-7/16" S/S	1
21	M-9307K23	GROMMET .625 DIAMETER HOLE .125 THICK PANEL	1

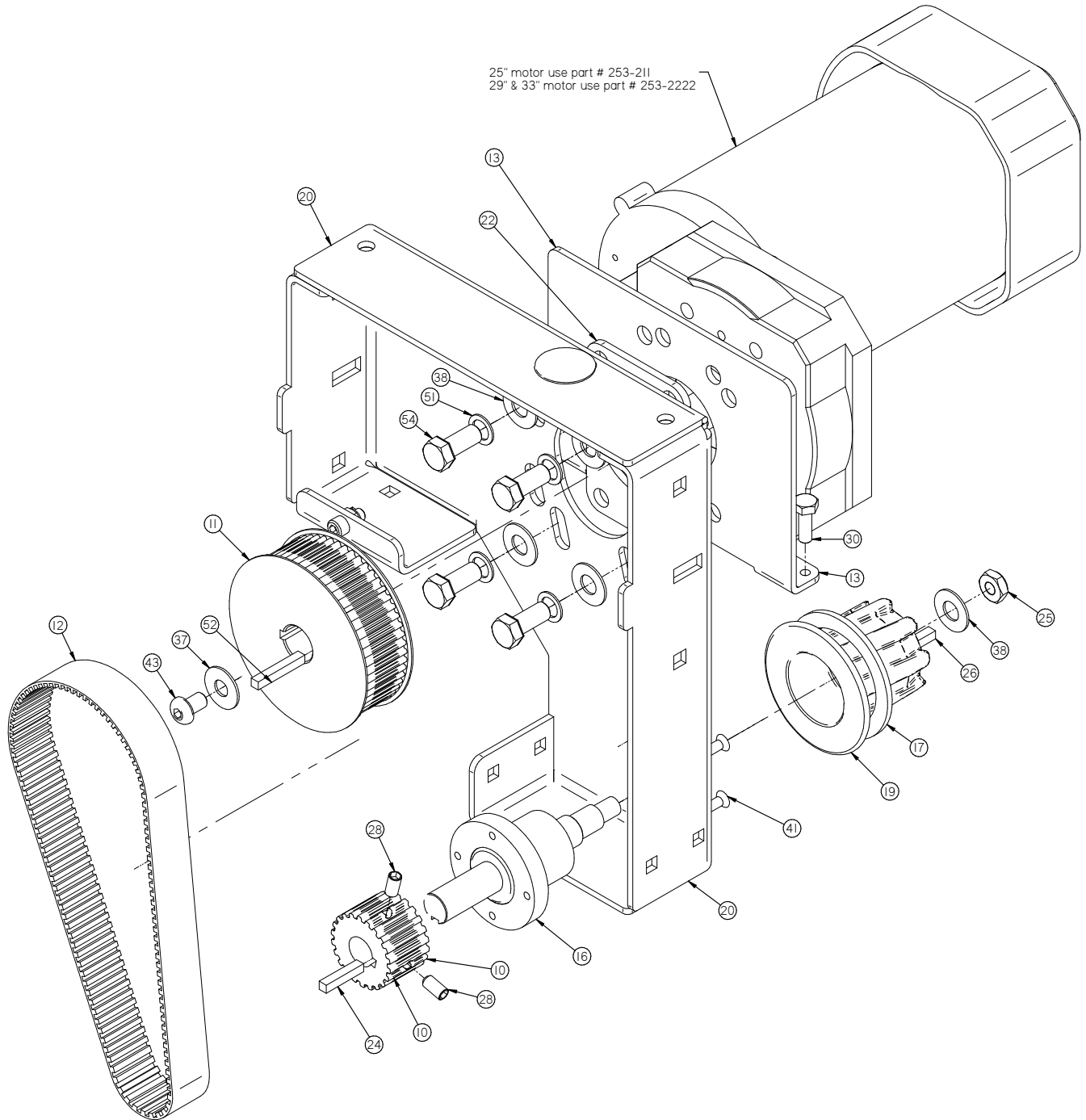


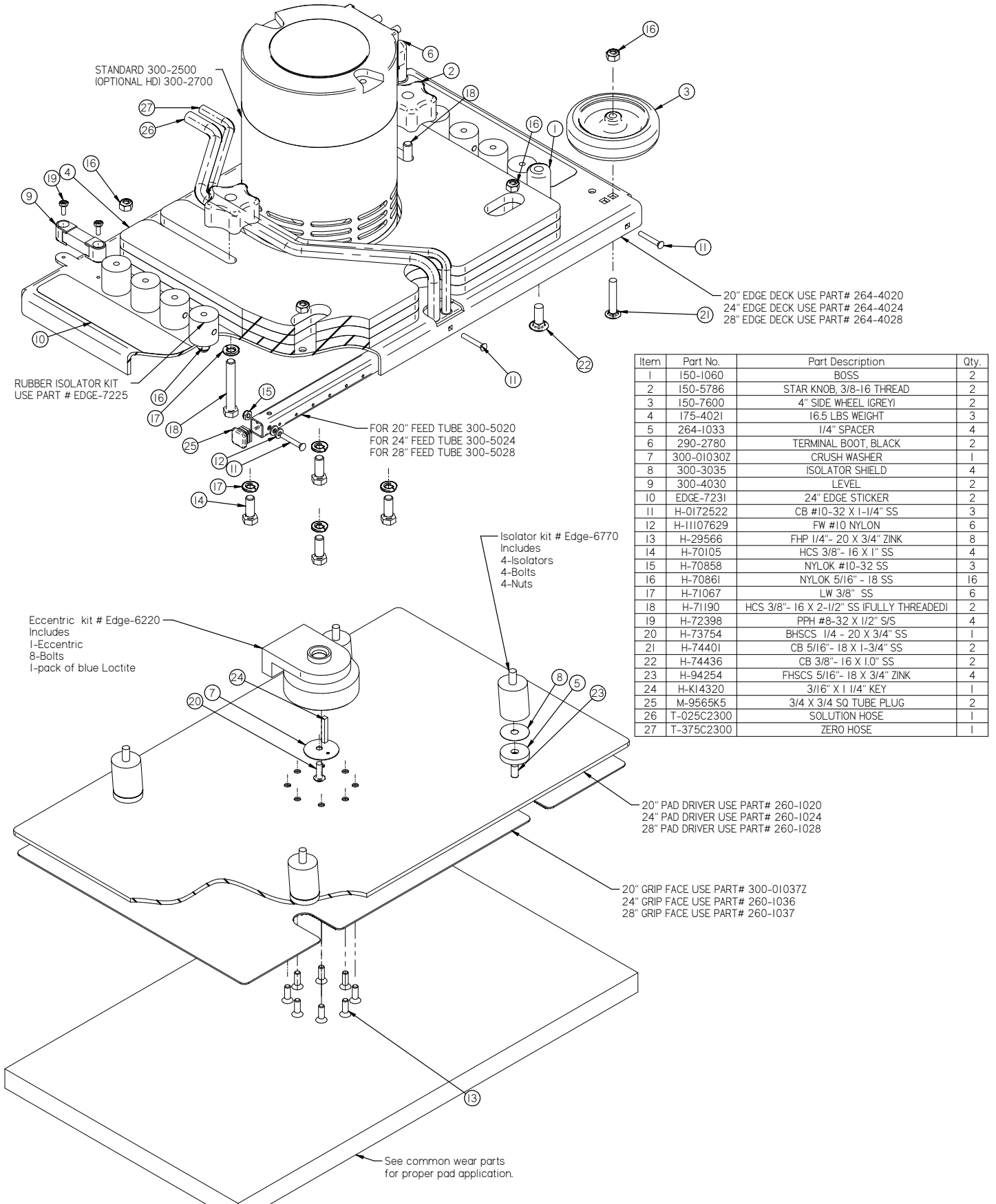


Item	Part No.	Part Description	Qty.	Item	Part No.	Part Description	Qty.
1	175-2700	NEG INSULATOR POST (BLACK)	1	30	H-70003	HCS 1/4"-20 X 3/4" SS	4
2	175-2710	POS INSULATOR POST (RED)	1	31	H-70858	NYLOK #10-32 SS	4
3	175-9580	LIFT ARM CROSS BAR	1	32	H-70860	NYLOK 1/4"- 20 SS	22
4	175-9585	LIFT ARM CENTER BRACKET	1	33	H-70861	NYLOK 5/16"- 18 SS	24
5	175-9592	LATERAL ARM, CYLINDRICAL	2	34	H-70889	HOLE PLUG 7/8"	2
6	21-1127	ROLLER	6	35	H-70923	KN #10-32 SS	2
7	253-9003	QUICK DISCONNECT BRACKET	1	36	H-71015	FW 5/16 ID X 3/4 OD SS	12
8	264-1139	ROLLER BRACKET (RH)	1	37	H-71016	FW 5/16 ID X 7/8 OD SS	2
9	264-1140	ROLLER BRACKET (LH)	1	38	H-71017	FW 3/8 ID X 7/8 OD SS	10
10	264-8215	TIMING SPROCKET 26 TOOTH	2	39	H-72554	PPH #10-32 X 1-1/2"	2
11	264-8225	TIMING SPROCKET 56 TOOTH	2	40	H-72556	PPH #10-32 X 2" SS	4
12	264-8230	HI-PERFORMANCE PD PLUS BELT	2	41	H-72682	FHP #10-32 X 1/2" SS	8
13	264-9002	MOTOR ADJ BRACKET	2	42	H-73459	SHCS 1/4"-20 X 1/2 SS	5
14	300-4030	LEVEL	2	43	H-73777	BHSCS 5/16-18 X 1/2"	2
15	370-1247	BUSHING 5/16 X 1/2 X 3/16	4	44	H-74417	CB 1/4"- 20 X .5" SS	2
16	370-8240A	BEARING HOUSING/BEARING	2	45	H-74418	CB 1/4"- 20 X 5/8" S/S	18
17	370-8373	CYLINDRICAL DRIVER SEAL	2	46	H-74419	CB 1/4"- 20 X .75" SS	4
18	4-446	GROMMET-3/8 ID X 1-1/2 OD X .375	6	47	H-74429	CB 5/16"- 18 X 3/4" SS	10
19	600-8372	CYLINDRICAL DRIVER (BRASS)	2	48	H-74430	CB 5/16"- 18 X 1" SS	6
20	650-6020	SIDE SUPPORT (SS)	2	49	H-74431	CB 5/16"- 18 X 1-1/4" SS	4
21	650-8025	SQ. SOLUTION FEED TUBE (25")	1	50	H-74432	CB 5/16"- 18 X 1-1/2" SS	4
22	650-9004	MOTOR SPACER	2	51	H-90895	WASHER, SERRATED BELLEVILLE, 3/8", S/S	8
23	8-00	8.00" ADJUSTABLE LATERAL ARM	2	52	H-K14320	3/16" X 1 1/4" KEY	2
24	H-01125	3/16" X 1" KEY	2	53	H-NJ04C	JNYL 1/4" - 20 SS	6
25	H-017004	JNYL 3/8- 24 SS	2	54	M-92865A214	HCS 3/8"-24 X 7/8" SS	8
26	H-0953152	3/16" X 3/4" KEY	2	55	M-9565K5J	I.O X I.O SQ TUBE PLUG	2
27	H-11333	HB 5/8"- 11 X 10"	2	56	T-025B6000	BULK 1/4" X 5' BLUE ZERO HOSE	1
28	H-25382	SETScrew, KCP, 1/4"-20 X 1/2"	8	57	T-050R6000	BULK 1/2" X 5' WIRE REINFORCED SOLUTION HOSE	1
29	H-37038	JNYL 5/8"- 11	2				



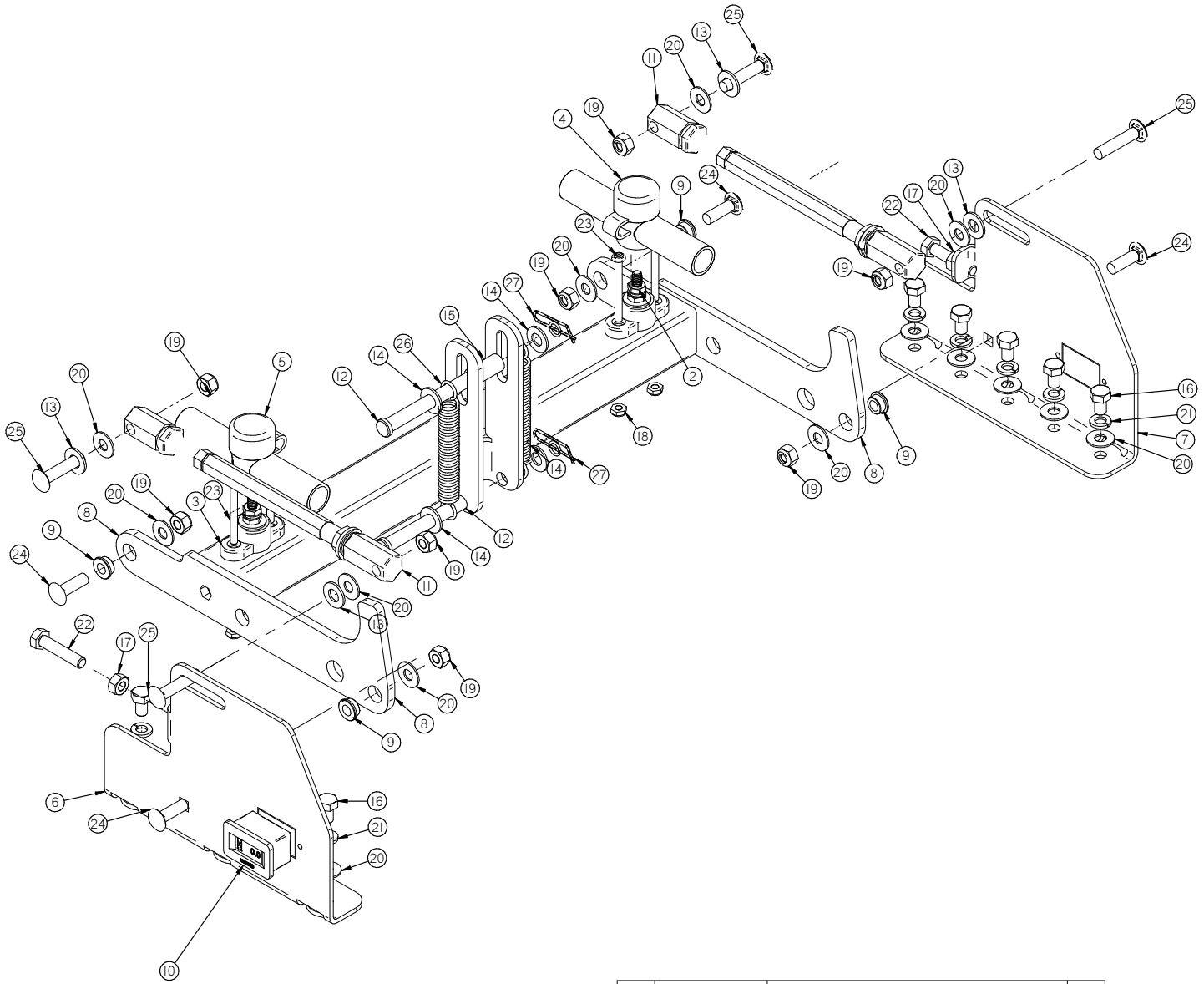
Cylindrical Drive Assembly



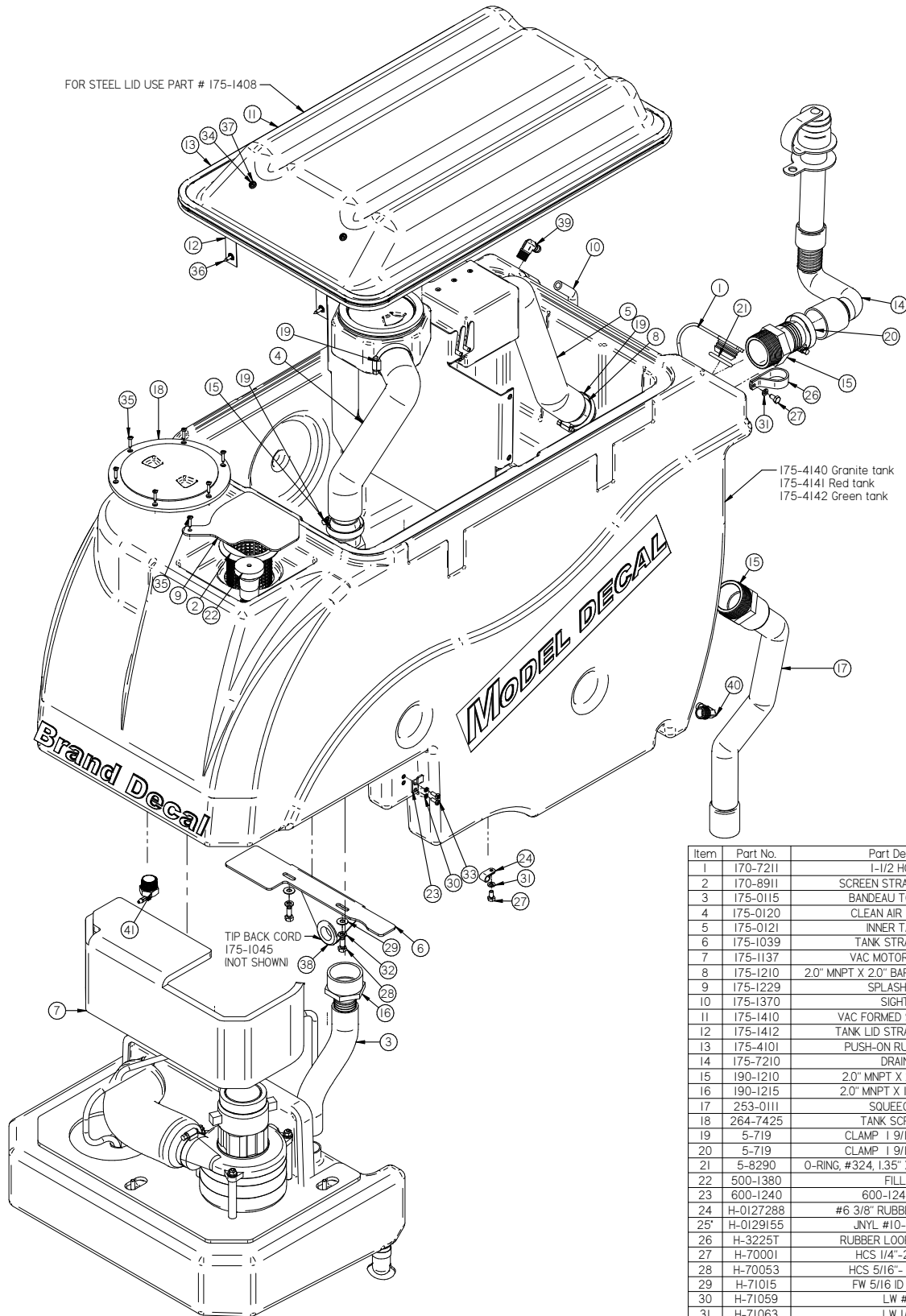


Item	Part No.	Part Description	Qty.
1	150-1060	BOSS	2
2	150-5786	STAR KNOB, 3/8-16 THREAD	2
3	150-7600	4" SIDE WHEEL (GREY)	2
4	175-4021	16.5 LBS WEIGHT	3
5	264-1033	1/4" SPACER	4
6	290-2780	TERMINAL BOOT, BLACK	2
7	300-01030Z	CRUSH WASHER	1
8	300-3035	ISOLATOR SHIELD	4
9	300-4030	LEVEL	2
10	EDGE-7231	24" EDGE STICKER	2
11	H-0172522	CB #10-32 X 1-1/4" SS	3
12	H-11107629	FW #10 NYLON	6
13	H-29566	FHP 1/4"- 20 X 3/4" ZINK	8
14	H-70105	HCS 3/8"- 16 X 1" SS	4
15	H-70858	NYLOK #10-32 SS	3
16	H-70861	NYLOK 5/16" - 18 SS	16
17	H-71067	LW 3/8" SS	6
18	H-71190	HCS 3/8"- 16 X 2-1/2" SS (FULLY THREADED)	2
19	H-72398	PPH #8-32 X 1/2" S/S	4
20	H-73754	BHSCS 1/4 - 20 X 3/4" SS	1
21	H-74401	CB 5/16"- 18 X 1-3/4" SS	2
22	H-74436	CB 3/8" - 16 X 1.0" SS	2
23	H-94254	FHSCS 5/16"- 18 X 3/4" ZINK	4
24	H-K14320	3/16" X 1 1/4" KEY	1
25	M-9565K5	3/4 X 3/4 SQ TUBE PLUG	2
26	T-025C2300	SOLUTION HOSE	1
27	T-375C2300	ZERO HOSE	1

ORBITAL Lifting Bracket



Item	Part No.	Part Description	Qty.
1	150-1133	LATCH BRACKET	1
2	175-2700	NEG INSULATOR POST (BLACK)	1
3	175-2710	POS INSULATOR POST (RED)	1
4	175-2780	BLACK INSULATOR BOOT	1
5	175-2790	RED INSULATOR BOOT	1
6	175-9080	(LH) DECK LIFTING BRACKET	1
7	175-9081	(RH) DECK LIFTING BRACKET	1
8	175-9586	SCRUBDECK LIFT ARM, DISK/EDGE	1
9	370-1247	BUSHING 5/16 X 1/2 X 3/16	4
10	8-262	HOUR METER	1
11	9-25	9.25" ADJUSTABLE LATERAL ARM	2
12	H-0156758	3/8" X 3-1/2" CLEVIS PIN	2
13	H-4440024	FW 3/8" X 3/4" NYLON	4
14	H-4440024	FW 3/8" X 3/4 NYLON	4
15	H-63917	SLEEVE, .50 OD X .375 ID X 1.0 LG	1
16	H-70051	HCS 5/16"- .18 X 1/2"	10
17	H-70711	HN 5/16"- .18 SS	2
18	H-70858	NYLOK #10-32 SS	4
19	H-70861	NYLOK 5/16" - .18 SS	8
20	H-71015	FW 5/16 ID X 3/4 OD SS	18
21	H-71065	LW 5/16" SS	10
22	H-71180	HCS 5/16"- .18 X 1-1/2" FULLY THREADED	2
23	H-72556	PPH #10-32 X 2" SS	4
24	H-74430	CB 5/16"- .18 X 1" SS	4
25	H-74432	CB 5/16"- .18 X 1-1/2" SS	4
26	H-96544	SPRING, 4-1/8" LG, 9/16" OD	2
27	H-RUE14	3/8" RUE RING COTTER	2

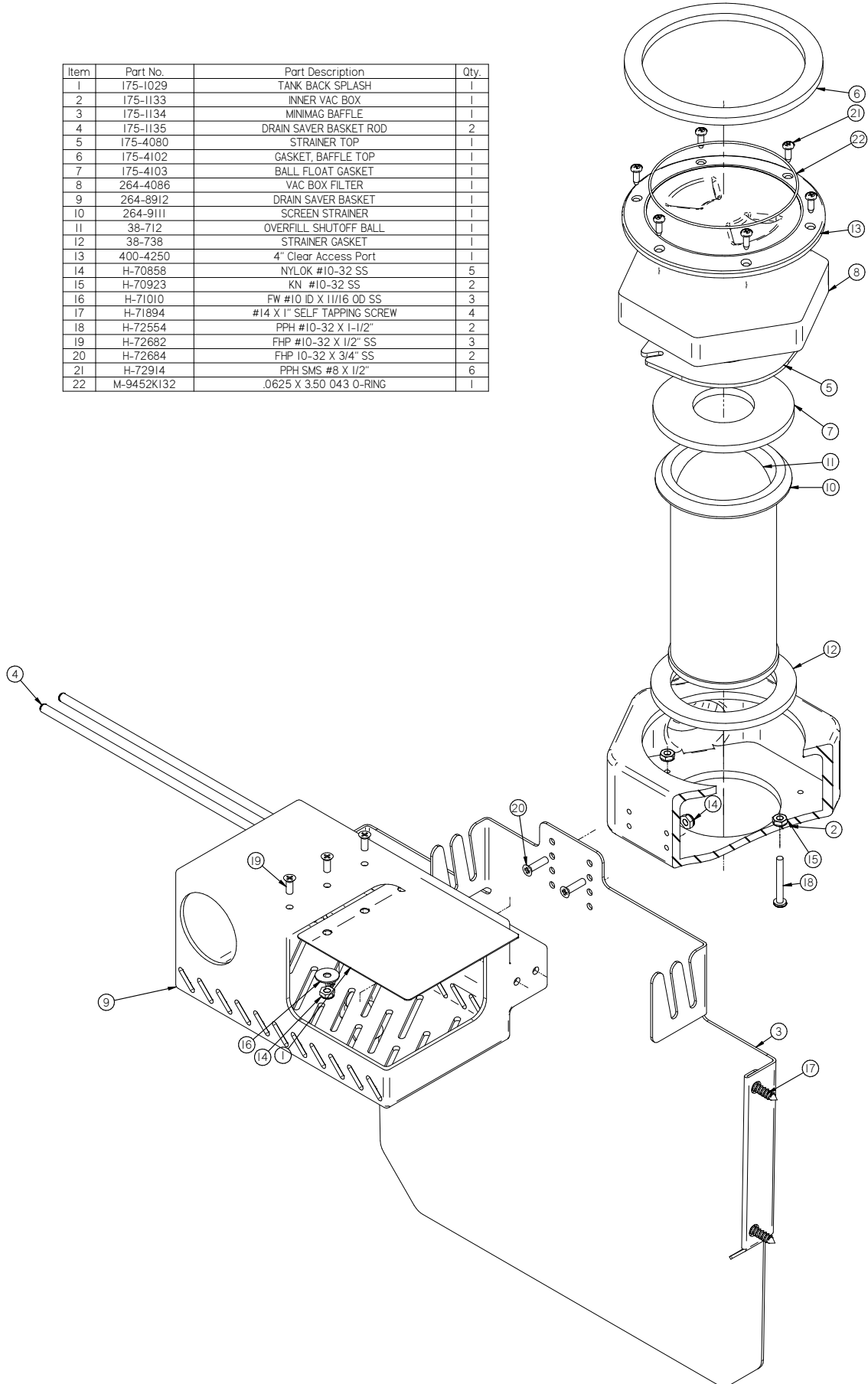


175-4140 Granite tank  
175-4141 Red tank  
175-4142 Green tank

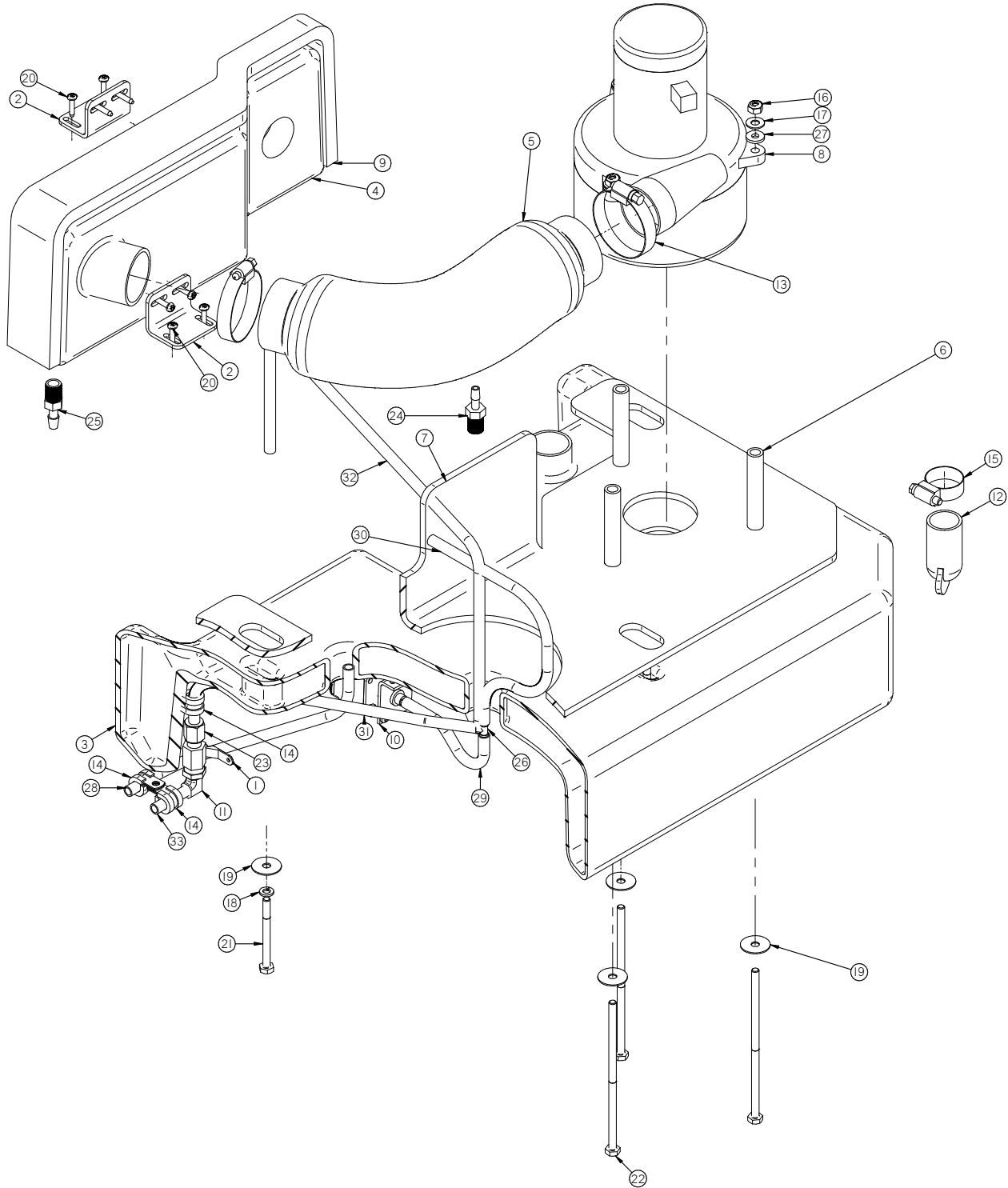
Item	Part No.	Part Description	Qty.
1	170-7211	1-1/2 HOSE CAP	1
2	170-8911	SCREEN STRAINER, 4-1/4" LG	1
3	175-0115	BANDEAU TO TANK HOSE	1
4	175-0120	CLEAN AIR INTAKE HOSE	1
5	175-0121	INNER TANK HOSE	1
6	175-1039	TANK STRAP BRACKET	1
7	175-1137	VAC MOTOR INSULATION	1
8	175-1210	2.0" MNPT X 2.0" BARB, PVC CHAMFERED ID	1
9	175-1229	SPLASH CURTAIN	1
10	175-1370	SIGHT TUBE	1
11	175-1410	VAC FORMED SMOKED COVER	1
12	175-1412	TANK LID STRAP W/GROMMETS	2
13	175-4101	PUSH-ON RUBBER GASKET	1
14	175-7210	DRAIN HOSE	1
15	190-1210	2.0" MNPT X 2.0" BARB, PVC	3
16	190-1215	2.0" MNPT X 1.50" BARB, PVC	1
17	253-0111	SQUEEGEE HOSE	1
18	264-7425	TANK SCREW ON LID	1
19	5-719	CLAMP 1 9/16 - 2 1/2" SS	3
20	5-719	CLAMP 1 9/16 - 2 1/2" SS	1
21	5-8290	O-RING, #324, 1.35" X 1.77" X .210" BUNA-N	1
22	600-1380	FILL HOSE	1
23	600-1240	600-1240 clip.psm	2
24	H-0127288	#6 3/8" RUBBER LOOP CLAMP	1
25	H-0129155	JNYL #10-32, 18-8 S/S	2
26	H-3225T	RUBBER LOOP CLAMP, 1-1/2"	1
27	H-70001	HCS 1/4"-20 X 1/2" SS	2
28	H-70053	HCS 5/16" - 18 X 3/4" SS	2
29	H-71015	FW 5/16 ID X 3/4 OD SS	2
30	H-71059	LW #10, SS	4
31	H-71063	LW 1/4" SS	2
32	H-71065	LW 5/16" SS	2
33	H-72515	PPH #10-32 X 1/2" S/S	4
34	H-72534	PPH #10-32 X 3/4" S/S	2
35	H-72916	PPH SMS #8 X 3/4" SS	7
36	H-72916	PPH SMS #8 X 3/4" SS	2
37	H-90133	.17 ID X .5 OD X .093 NEOPRENE WASHER	4
38	H-9307K74	GROMMET, 1" ID X 1-3/4" OD BUNA-N	1
39	M-53525K21	ELBOW, 3/8" MNPT X 1/2" BARB, BRASS	1
40	M-53525K58	ELBOW, 1/2" MNPT X 1/2" BARB, BRASS	2
41	M-5463K496	.75 NPT X .25 BARBED X 90 DEG.par	1

## Standard XL Tank - Drain Saver, Vac Box, Baffle Assembly

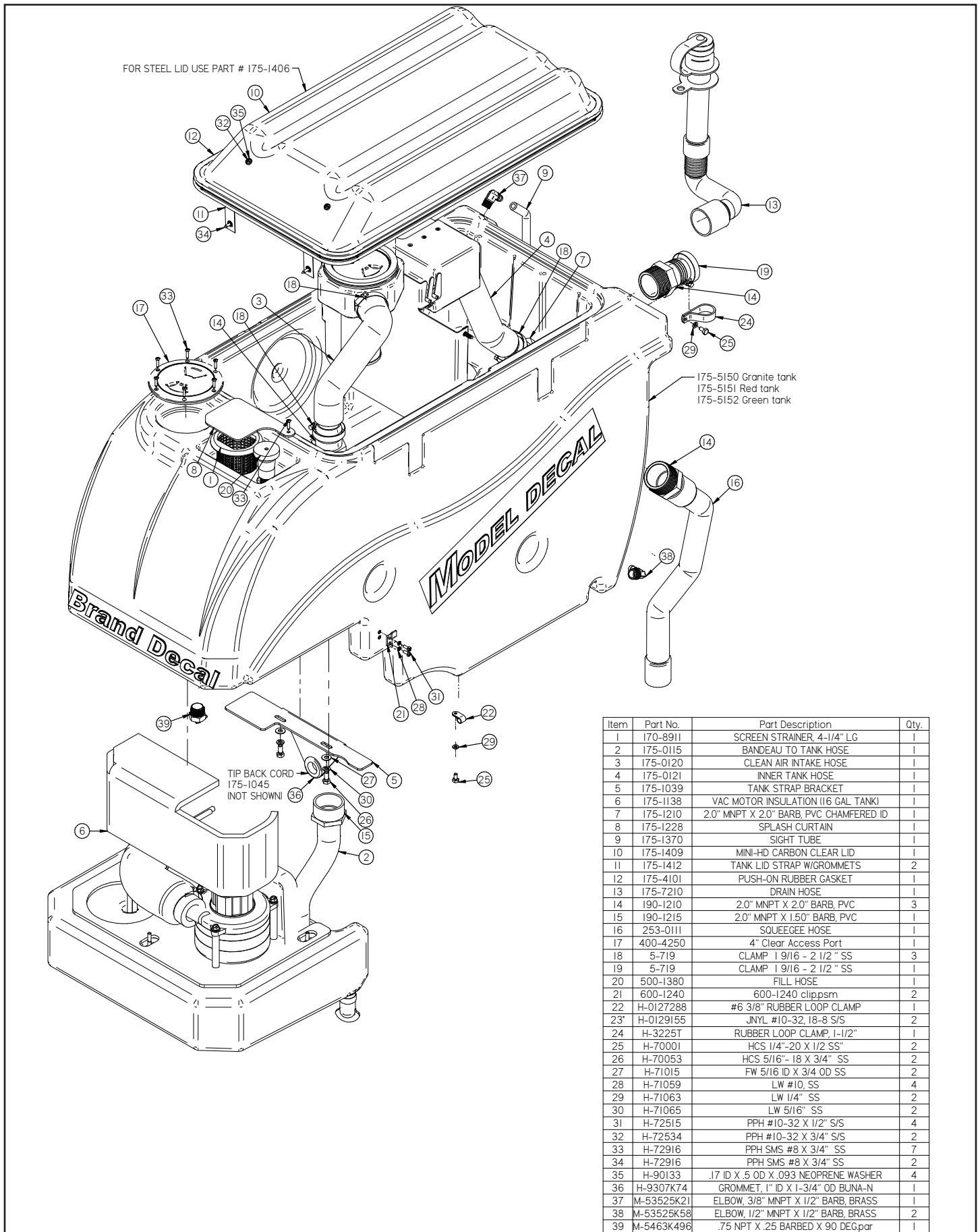
Item	Part No.	Part Description	Qty.
1	175-1029	TANK BACK SPLASH	1
2	175-1133	INNER VAC BOX	1
3	175-1134	MINIMAG BAFFLE	1
4	175-1135	DRAIN SAVER BASKET ROD	2
5	175-4080	STRAINER TOP	1
6	175-4102	GASKET, BAFFLE TOP	1
7	175-4103	BALL FLOAT GASKET	1
8	264-4086	VAC BOX FILTER	1
9	264-8912	DRAIN SAVER BASKET	1
10	264-9111	SCREEN STRAINER	1
11	38-712	OVERFILL SHUTOFF BALL	1
12	38-738	STRAINER GASKET	1
13	400-4250	4" Clear Access Port	1
14	H-70858	NYLOK #10-32 SS	5
15	H-70923	KN #10-32 SS	2
16	H-71010	FW #10 ID X 11/16 OD SS	3
17	H-71894	#14 X 1" SELF TAPPING SCREW	4
18	H-72554	PPH #10-32 X 1-1/2"	2
19	H-72682	FHP #10-32 X 1/2" SS	3
20	H-72684	FHP 10-32 X 3/4" SS	2
21	H-72914	PPH SMS #8 X 1/2"	6
22	M-9452K132	.0625 X 3.50 O43 O-RING	1



## Standard XL Tank - Vacuum Bandeau Assembly

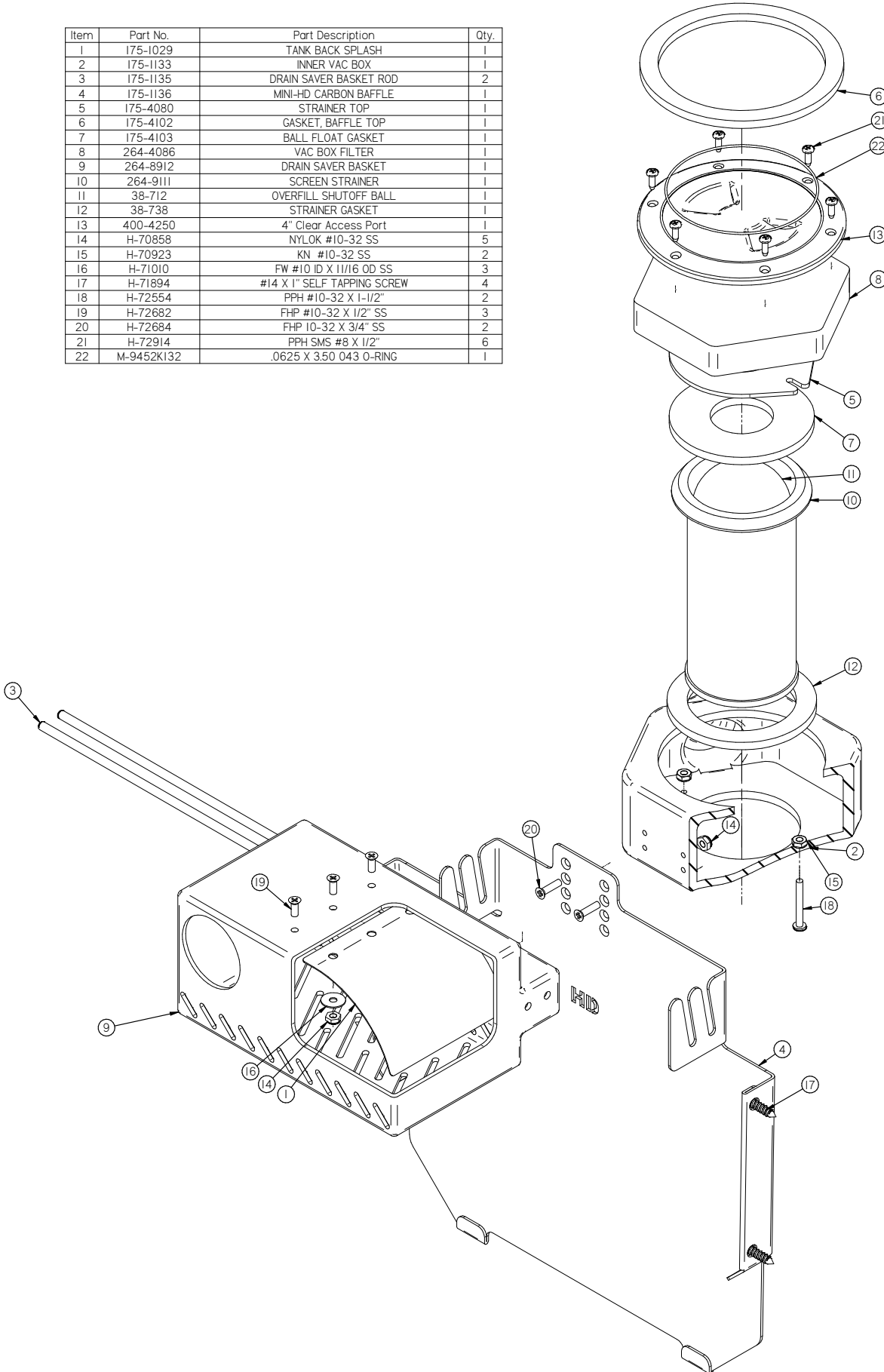


Item	Part No.	Part Description	Qty.	Item	Part No.	Part Description	Qty.
1	170-4158	1/4" NPT VALVE	1	18	H-71063	LW 1/4" SS	3
2	175-1129	VAC MUFFLER BRACKET	2	19	H-71212	FNW 1/4 ID X 1.0 OD SS	6
3	175-1147	BANDEAU VAC BOX	1	20	H-72916	PPH SMS #8 X 3/4" SS	8
4	175-1148	VAC MUFFLER WALL	1	21	H-77014	HCS 1/4" - 20 X 2.75" SS	3
5	175-2502	MINI-XL MUFFLER	1	22	H-77025	HCS 1/4" - 20 X 6.0" SS	3
6	175-2600	SPACER, 3.0" LG	3	23	M-5346K51	.25 NPTF X .125 BRASS BARBED HOSE FITTING	1
7	175-3002	2 1/23GA VAC MOTOR GASKET	1	24	M-5463K439	.25 NPT X .125 BARB	1
8	175-5250	VAC MOTOR, 3/4 HP, TANGENTIAL	1	25	M-5463K445	.25 NPT X .25 BARB	1
9	175-7421	TANK GASKET	1	26	M-5463K606	1/4" X 1/4" PLASTIC BARBED TEE	1
10	253-8500	SOAP PUMP, 24V	1	27	M-90130A029	.25" NEOPRENE WASHER	3
11	290-4149	1/4" NPT X 1/4" BARB X 90 DEG	1	28	T-025B6000	BULK 1/4" BLUE HOSE	1
12	390-1505	LOADER VALVE	1	29	T-025C6000	BULK 1/4" CLEAR SUDS HOSE	1
13	5-719	CLAMP 1 9/16 - 2 1/2" SS	2	30	T-025C6000	BULK 1/4" CLEAR SUDS HOSE	1
14	H-0127290	1/2" LOOP CLAMP	3	31	T-025C6000	BULK 1/4" CLEAR SUDS HOSE	1
15	H-62005	CLAMP 5/8" - 1-1/2" SS	1	32	T-025C6000	BULK 1/4" CLEAR SUDS HOSE	1
16	H-70860	NYLOK 1/4" - 20 SS	3	33	T-025G6000	BULK 1/4" GREEN HOSE	1
17	H-71013	FW 1/4 ID X 5/8 OD SS	3				

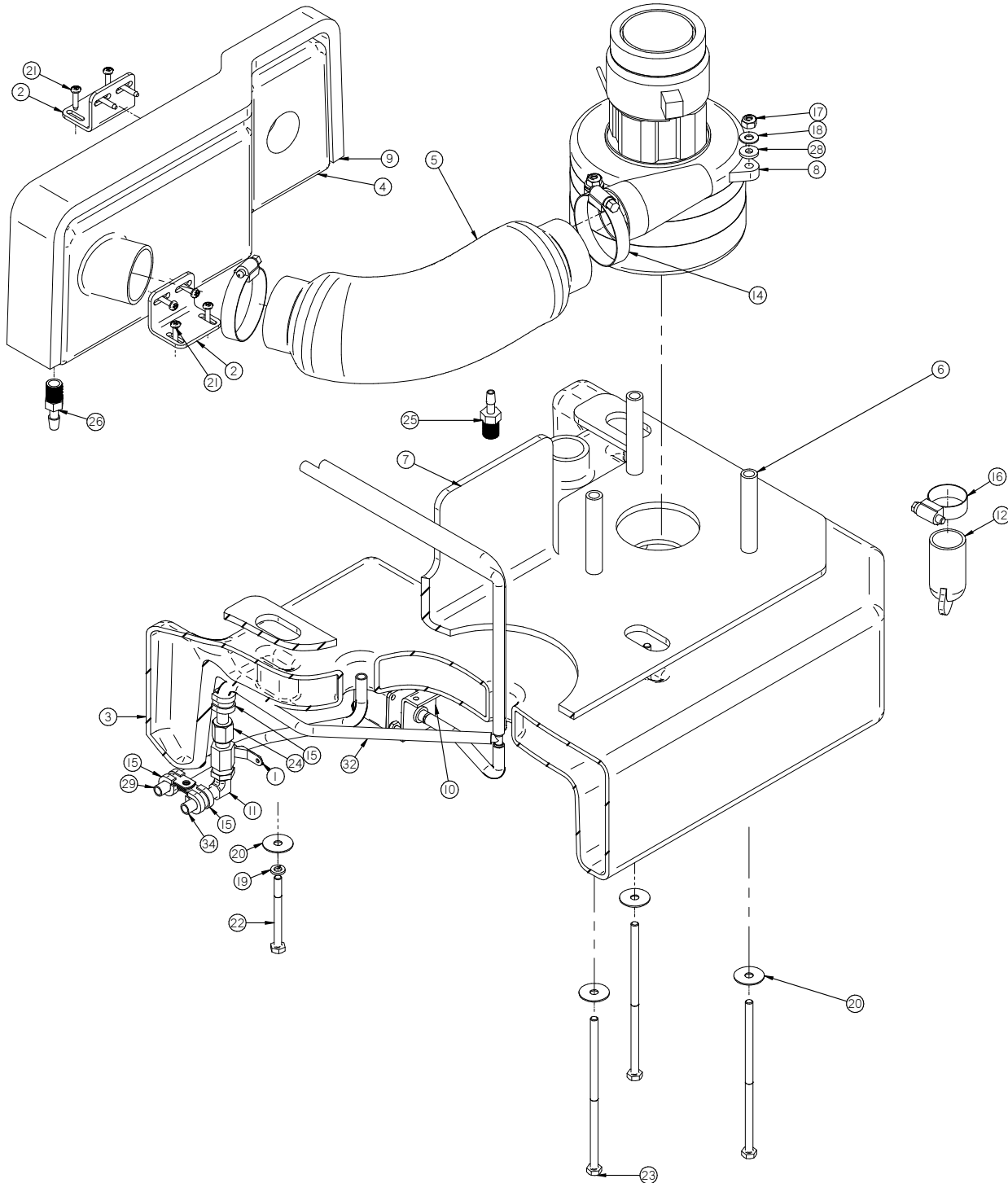


## Smaller Optional - Drain Saver, Vac Box, Baffle Assembly

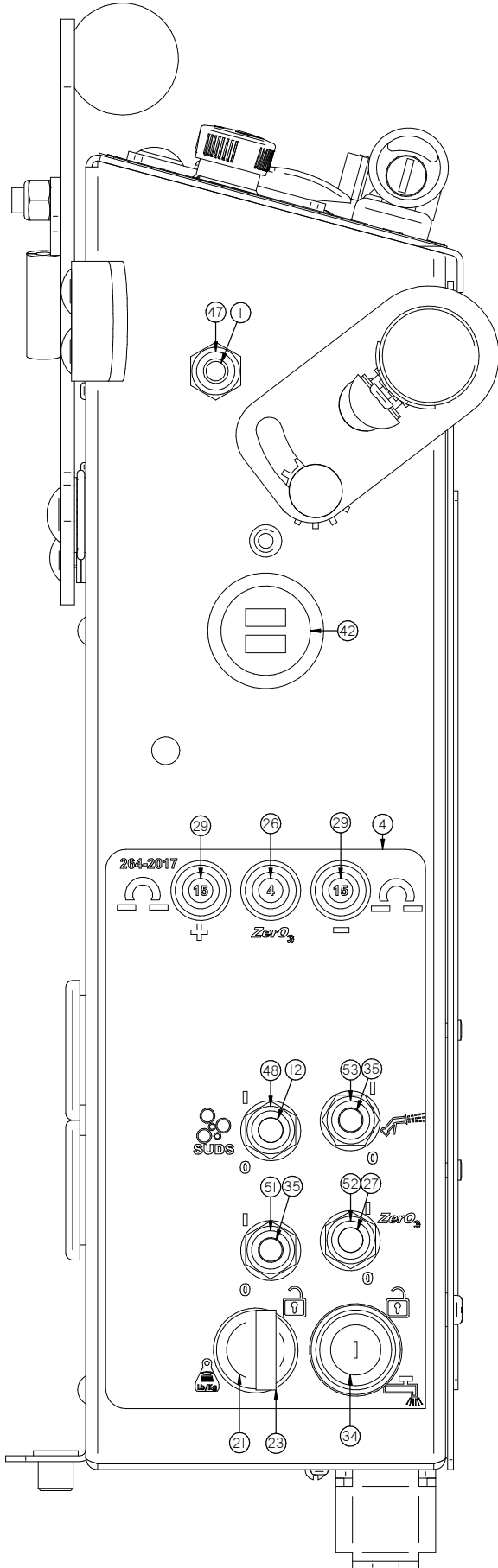
Item	Part No.	Part Description	Qty.
1	175-1029	TANK BACK SPLASH	1
2	175-1133	INNER VAC BOX	1
3	175-1135	DRAIN SAVER BASKET ROD	2
4	175-1136	MINI-HD CARBON BAFFLE	1
5	175-4080	STRAINER TOP	1
6	175-4102	GASKET, BAFFLE TOP	1
7	175-4103	BALL FLOAT GASKET	1
8	264-4086	VAC BOX FILTER	1
9	264-8912	DRAIN SAVER BASKET	1
10	264-9111	SCREEN STRAINER	1
11	38-712	OVERFILL SHUTOFF BALL	1
12	38-738	STRAINER GASKET	1
13	400-4250	4" Clear Access Port	1
14	H-70858	NYLOK #10-32 SS	5
15	H-70923	KN #10-32 SS	2
16	H-71010	FW #10 ID X 11/16 OD SS	3
17	H-71894	#14 X 1" SELF TAPPING SCREW	4
18	H-72554	PPH #10-32 X 1-1/2"	2
19	H-72682	FHP #10-32 X 1/2" SS	3
20	H-72684	FHP 10-32 X 3/4" SS	2
21	H-72914	PPH SMS #8 X 1/2"	6
22	M-9452K132	.0625 X 3.50 043 O-RING	1



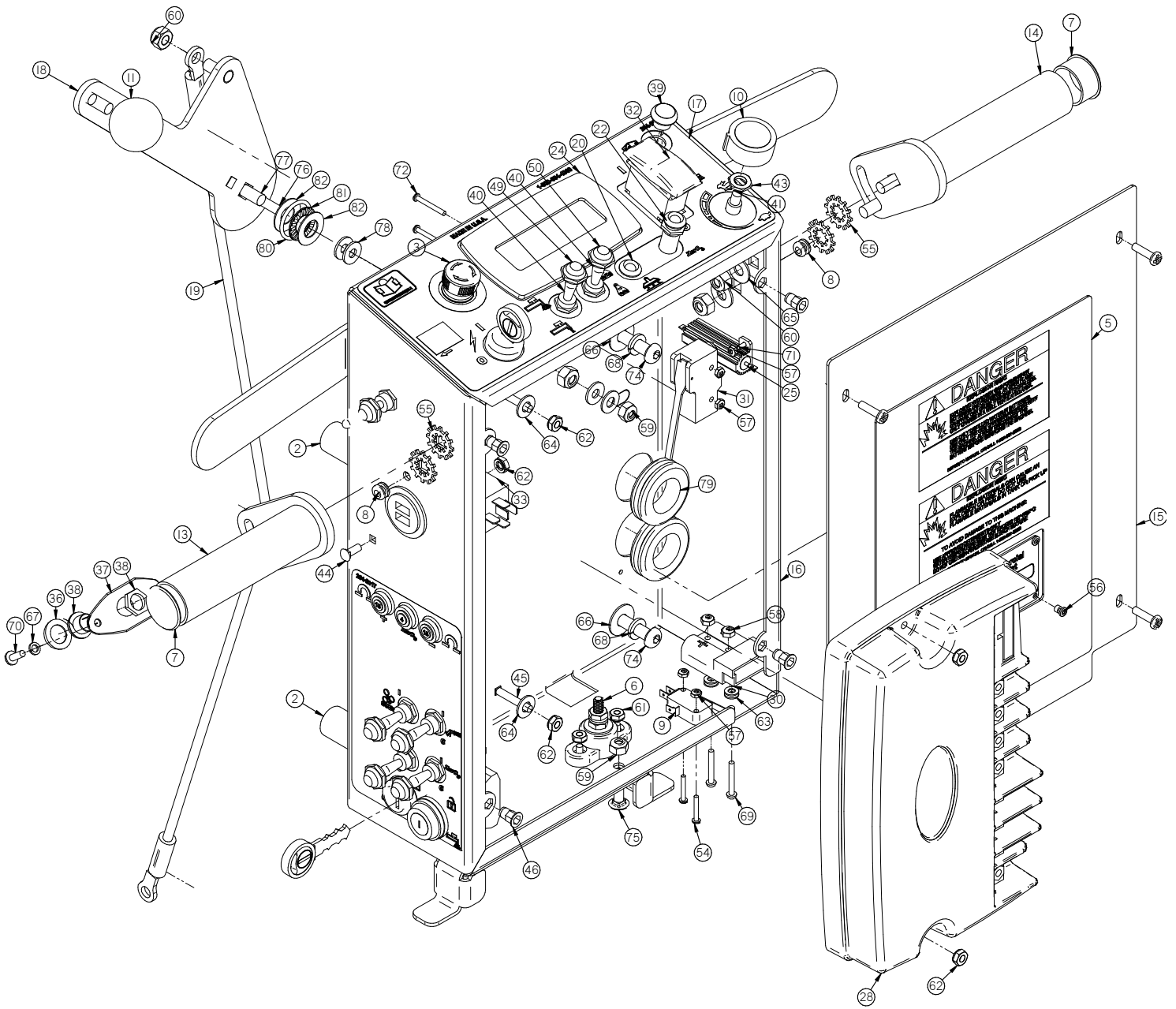


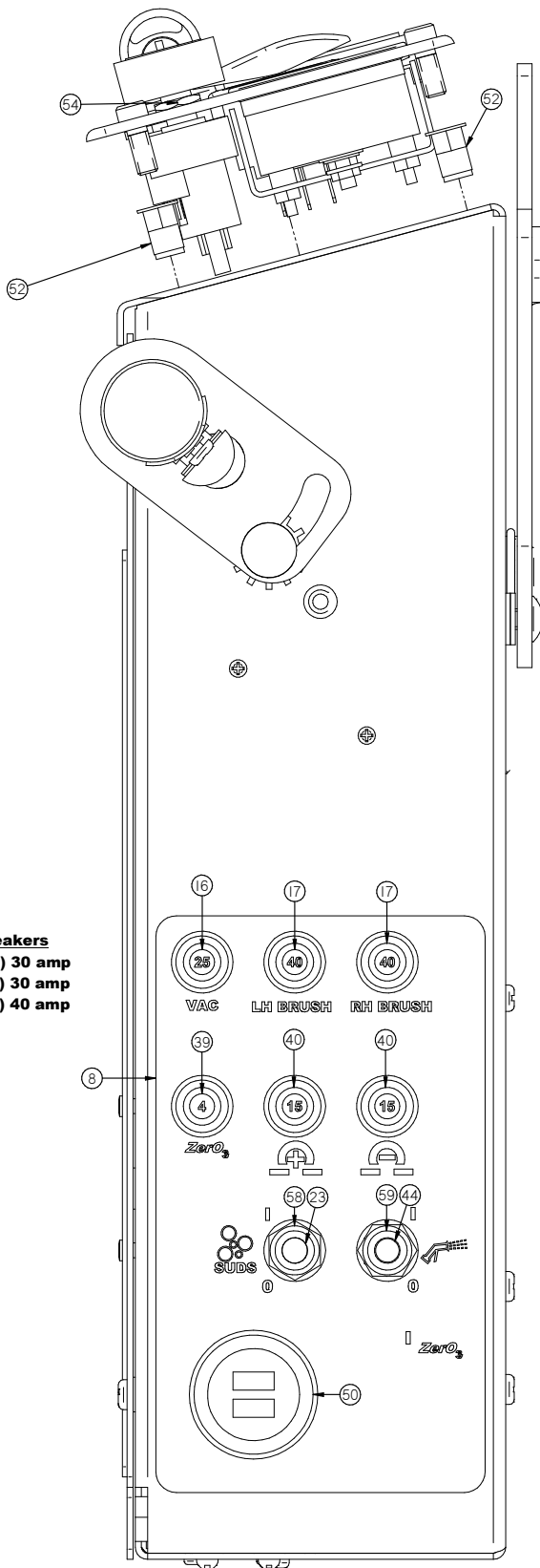


Item	Part No.	Part Description	Qty.	Item	Part No.	Part Description	Qty.
1	170-4158	1/4" NPT VALVE	1	18	H-71013	FW 1/4 ID X 5/8 OD SS	3
2	175-1129	VAC MUFFLER BRACKET	2	19	H-71063	LW 1/4" SS	3
3	175-1146	MINI-HD CARBON BANDEAU VAC BOX	1	20	H-71212	FNW 1/4 ID X 1.0 OD SS	6
4	175-1148	VAC MUFFLER WALL	1	21	H-72916	PPH SMS #8 X 3/4" SS	8
5	175-2502	MINI-HD CARBON MUFFLER	1	22	H-77014	HCS 1/4"- 20 X 2.75" SS	3
6	175-2600	SPACER, 3.0" LG	3	23	H-77025	HCS 1/4"- 20 X 6.0" SS	3
7	175-3000	16/17GA VAC MOTOR GASKET	1	24	M-5346K51	.25 NPTF X .125 BRASS BARBED HOSE FITTING	1
8	175-5250	VAC MOTOR, 3/4 HP, TANGENTIAL	1	25	M-5463K439	.25 NPT X .125 BARB	1
9	175-7421	TANK GASKET	1	26	M-5463K445	.25 NPT X .25 BARB	1
10	253-8500	SOAP PUMP, 24V	1	27	M-5463K606	1/4" X 1/4" PLASTIC BARBED TEE	1
11	290-4149	1/4" NPT X 1/4" BARB X 90 DEG	1	28	M-90130A029	.25" NEOPRENE WASHER	3
12	390-1505	LOADER VALVE	1	29	T-025B6000	BULK 1/4" ID X 5' BLUE VAC DRAIN HOSE	1
13	390-2328	SWITCH VACUUM SHUTOFF	1	30	T-025C6000	BULK 1/4" ID X 5' CLEAR SUDS HOSE	1
14	5-719	CLAMP 1 9/16 - 2 1/2" SS	2	31	T-025C6000	BULK 1/4" ID X 5' CLEAR SUDS HOSE	1
15	H-0127290	1/2" LOOP CLAMP	3	32	T-025C6000	BULK 1/4" ID X 5' CLEAR SUDS HOSE	1
16	H-62005	CLAMP 5/8"- 1-1/2" SS	1	33	T-025C6000	BULK 1/4" ID X 5' CLEAR SUDS HOSE	1
17	H-70860	NYLOK 1/4"- 20 SS	3	34	T-025G6000	BULK 1/4" ID X 5' GREEN SUDS DRAIN HOSE	1



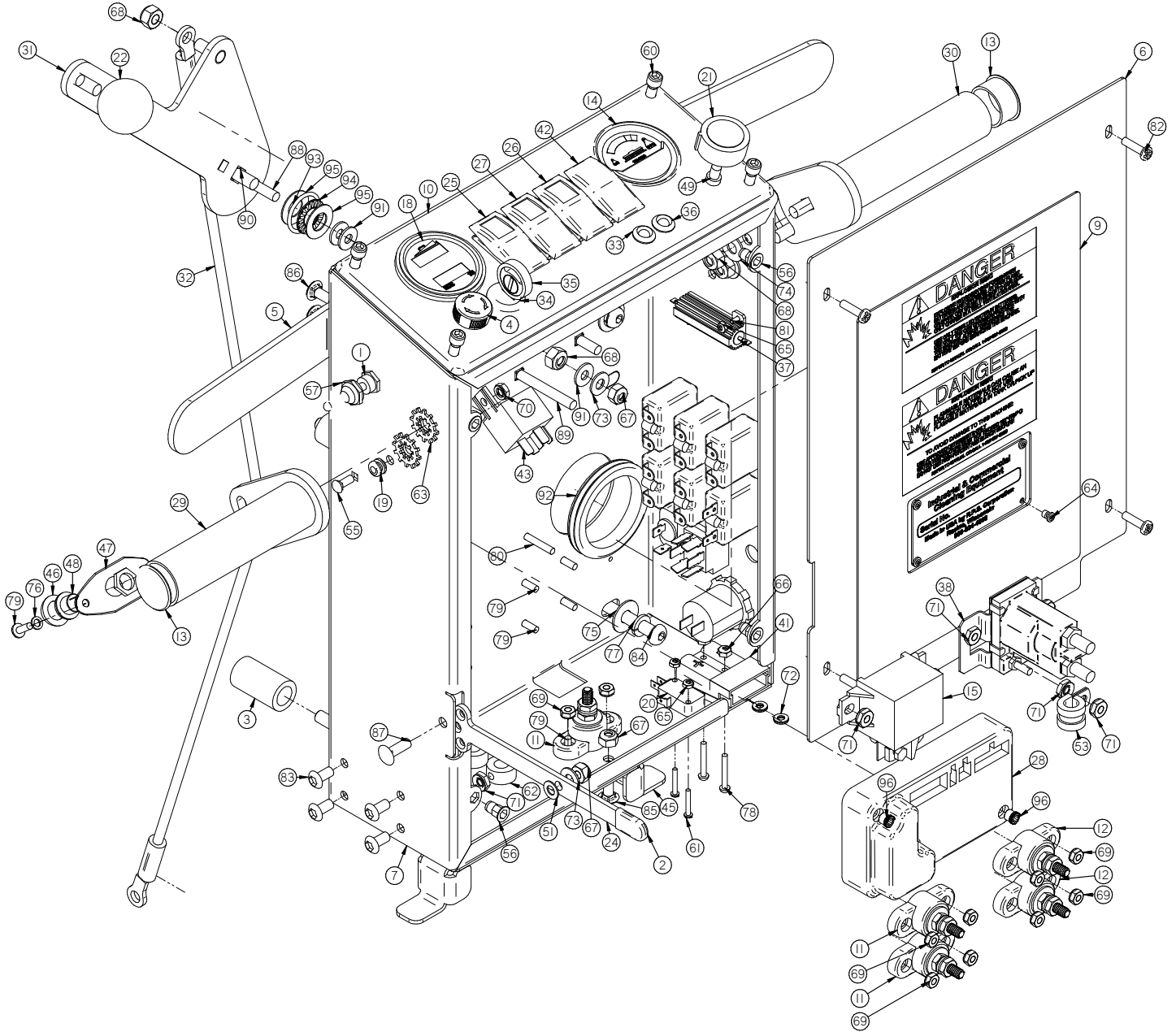
Item	Part No.	Part Description	Qty.
1	150-2830	SWITCH, TOGGLE, MOM/OFF/MOM (DPDT)	1
2	170-2700	SPACER, 1-1/2" LG	4
3	175-0300	Emergency stop switch, 5I series, IC/O	1
4	175-2020	SIDE PANEL STICKER	1
5	175-2020	WARNING STICKER	1
6	175-2700	NEG INSULATOR POST (BLACK)	1
7	190-1390	END CAP	2
8	21-2203	GROMMET, RUBBER 3/16 ID X 13/32 OD X 3/32 TH.	2
9	21-2230	MICRO SWITCH	1
10	21-4520	SPEED CONTROL KNOB, RED	1
11	21-7101	LIFT KNOB	1
12	253-283	SWITCH, TOGGLE, ON/OFF/ON (DPDT)	1
13	264-1290	ADJUSTABLE HANDLE BAR, LEFT	1
14	264-1291	ADJUSTABLE HANDLE BAR, RIGHT	1
15	264-2001	CONTROL PANEL COVER	1
16	264-2012	CONTROL PANEL BOX, TRACTION	1
17	264-2016	TOP PANEL STICKER	1
18	264-7100	SQUEEGEE LIFT LEVER	1
19	264-7890	SQUEEGEE LIFT CABLE	1
20	290-2330	RED LIGHT	1
21	290-234	KEY SWITCH (WITH KEY)	2
22	290-2340	GREEN LIGHT	1
23	290-234A	KEY SET (REPLACE)	2
24	290-2891	LCD SCREEN	1
25	290-9581	RESISTOR	1
26	349-9604	FUSE, RESETTABLE, 4 AMP, 50V DC MAX	1
27	370-8210	SWITCH, TOGGLE, ON/ON (DPDT)	1
28	390-2899	CONTROLLER V4	1
29	390-9615	FUSE, RESETTABLE, 15 AMP, 50V DC MAX	2
30	4-259	CONNECTOR, RED 50, HOUSING ONLY	1
31	5-223	LIMIT SWITCH	1
32	5-234	SWITCH, ROCKER, DPDT, ON/ON	1
33	5-293	15 AMP RELAY	1
34	5-300	LOCKOUT KEY SWITCH	1
35	5-892	TOGGLE, ON-OFF SPST	2
36	7-227	BUTTON COVER	2
37	7-228	SWITCH MOUNT PLATE	4
38	7-229	PUSH BUTTON SWITCH	4
39	7-229D	PUSH BUTTON SWITCH	1
40	7-283	SWITCH, TOGGLE, MOM/OFF/MOM (DPDT)	2
41	7-292	5K POTENTIOMETER	1
42	700-2590	DUAL USB PORTS	1
43	H-0147994	3/8-32 X 1/2 PANEL NUT	1
44	H-0172518	CB #10-32 X 1/2" SS	1
45	H-0172522	CB #10-32 X 1-1/4" SS	2
46	H-1032HCN	HCN #10-32	4
47	H-11196	PROTECTIVE BOOT, TOGGLE SWITCH, (RED)	1
48	H-11198	PROTECTIVE BOOT, TOGGLE SWITCH, (GREEN)	1
49	H-11199	PROTECTIVE BOOT, TOGGLE SWITCH, (BLUE)	1
50	H-11200	PROTECTIVE BOOT, TOGGLE SWITCH, (BLACK)	1
51	H-11202	PROTECTIVE BOOT, TOGGLE SWITCH, (ORANGE)	1
52	H-11203	PROTECTIVE BOOT, TOGGLE SWITCH, (PURPLE)	1
53	H-11205	PROTECTIVE BOOT, TOGGLE SWITCH, (LIGHT BLUE)	1
54	H-28667	PHP MS 4-40 X 3/4"	2
55	H-33761	5/16" INT/EXT STAR WASHER	4
56	H-41007	AB4-3A BLIND RIVET	4
57	H-70854	NYLOK #4-40 SS	6
58	H-70855	NYLOK #6-32 SS	2
59	H-70860	NYLOK 1/4"- 20 SS	7
60	H-70861	NYLOK 5/16"- 18 SS	6
61	H-70922	KN #8-32	2
62	H-70923	KN #10-32 SS	5
63	H-71007	FW #8 SS	4
64	H-71013	FW 1/4 ID X 5/8 OD SS	3
65	H-71015	FW 5/16 ID X 3/4 OD SS	4
66	H-71016	FW 5/16 ID X 7/8 OD SS	4
67	H-71059	LW #10, SS	8
68	H-71065	LW 5/16" SS	4
69	H-72390	PPH #6-32 X 1" MS S/S	2
70	H-72398	PPH #8-32 X 1/2" S/S	10
71	H-72486	PPH #4-40 X 1/2" S/S	2
72	H-72494	PPH #4-40 X 1" S/S	2
73	H-72534	PPH #10-32 X 3/4" S/S	4
74	H-73784	BHSCS 5/16-18 X 2.0	4
75	H-74417	CB 1/4"- 20 X 5" SS	2
76	H-74420	CB 1/4"- 20 X 1.0" SS	1
77	H-74429	CB 5/16"- 18 X 3/4" SS	5
78	H-76061	FW 1/4" NYLON	3
79	H-9307K74	GROMMET, 1" ID X 1-3/4" OD BUNA-N	2
80	M-4464T178	NEEDLE ROLLER THRUST BEARING ORING	1
81	M-5909K31	NEEDLE ROLLER THRUST BEARING	1
82	M-5909K44	NEEDLE ROLLER THRUST BEARING WASHER	2

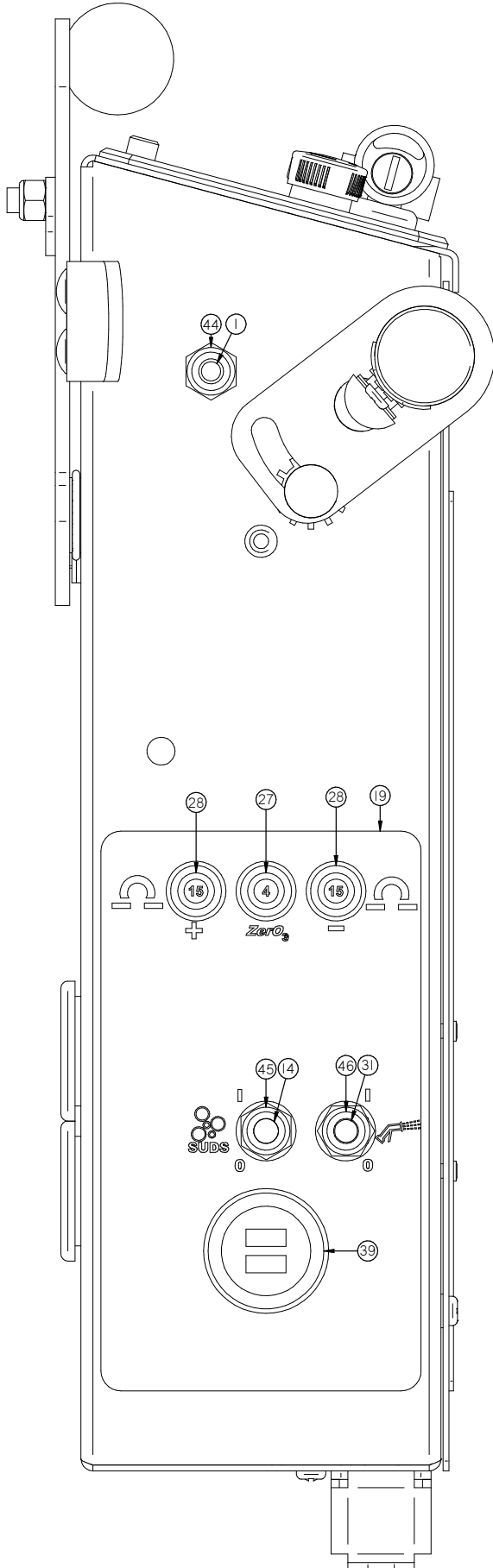




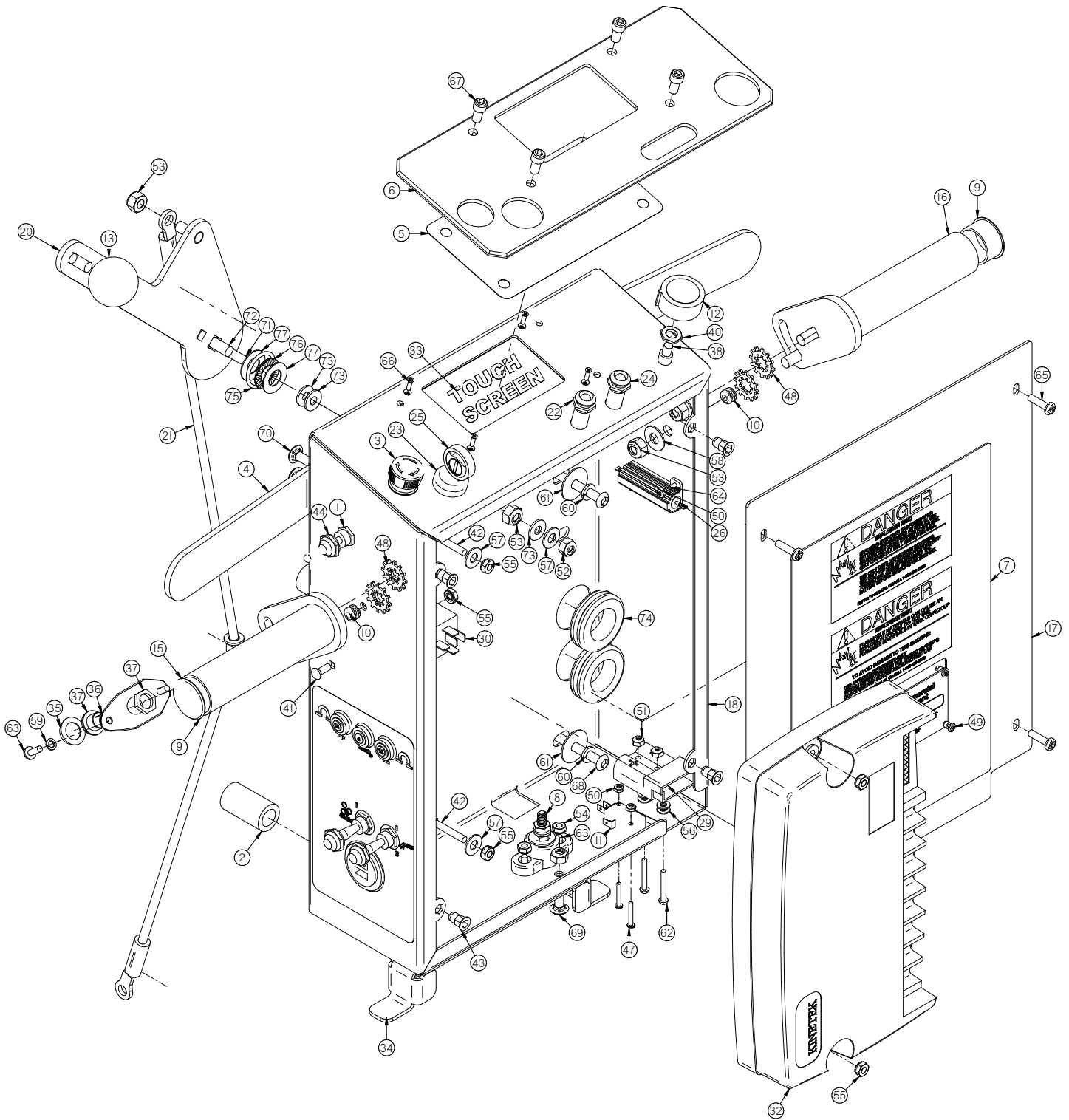
**Circuit Breakers**  
**Cylindrical (2) 30 amp**  
**Disk (2) 30 amp**  
**Orbital (1) 40 amp**

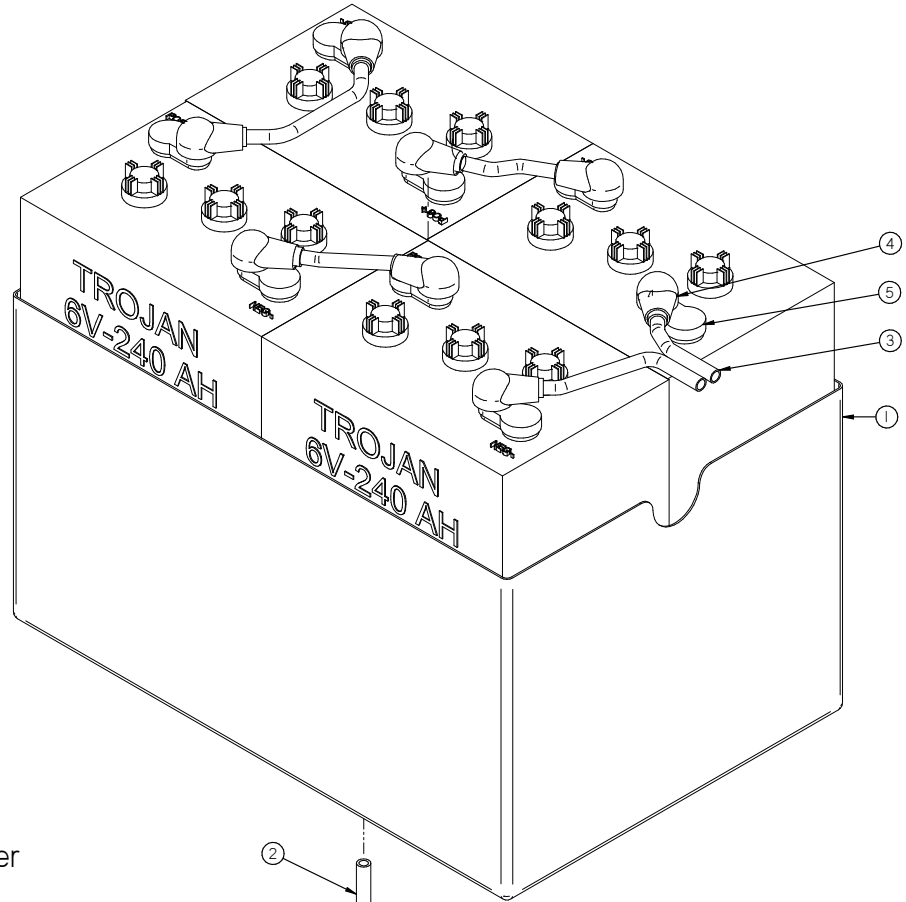
Item	Part No.	Part Description	Qty.
1	150-2830	SWITCH, TOGGLE, MOM/OFF/MOM (DPDT)	1
2	150-4480	HANDLE GRIP (BLUE)	1
3	170-2700	SPACER, 1-1/2" LG	4
4	175-0300	Emergency stop switch, 51 series, IC/O	1
5	175-1292	HAND GUARD	2
6	175-2001	CONTROL PANEL COVER	1
7	175-2011	RENTAL CONTROL BOX	1
8	175-2021	SIDE STICKER	1
9	175-2021	WARNING STICKER	1
10	175-2022	RED ANODIZED TOP PLATE	1
11	175-2700	NEG INSULATOR POST (BLACK)	3
12	175-2710	POS INSULATOR POST (RED)	2
13	190-1390	END CAP	2
14	190-4852	BRUSH PRESSURE GAUGE, 40 AMP	1
15	190-8283	RELAY, 24V, 50 AMP	1
16	190-8370	FUSE, RESETTABLE, 25 AMP	1
17	190-9609	FUSE, RESETTABLE, 40 AMP	2
18	200-4855	36V BATTERY AND HOUR METER	1
19	21-2203	GROMMET, RUBBER 3/16 ID X 13/32 OD X 3/32 TH.	2
20	21-2230	MICRO SWITCH	1
21	21-4520	SPEED CONTROL KNOB, RED	1
22	21-7101	LIFT KNOB	1
23	253-283	SWITCH, TOGGLE, ON/OFF/ON (DPDT)	1
24	260-2005	VALVE LEVER	1
25	260-2350A	SWITCH, ROCKER, DPDT, ON/ON AMBER	1
26	260-2351A	SWITCH, ROCKER, DPDT, ON/ON GREEN	1
27	260-2352A	SWITCH, ROCKER, DPDT, ON/ON BLUE	1
28	260-2898	IDRIVE 24V/36V, 70 AMP CONTROLLER	1
29	264-1290	ADJUSTABLE HANDLE BAR, LEFT	1
30	264-1291	ADJUSTABLE HANDLE BAR, RIGHT	1
31	264-7100	SQUEEGEE LIFT LEVER	1
32	264-7890	SQUEEGEE LIFT CABLE	1
33	290-2330	RED LIGHT	1
34	290-234	KEY SWITCH (WITH KEY)	1
35	290-234A	KEY SET (REPLACE)	1
36	290-2350	YELLOW LIGHT	1
37	290-9581	RESISTOR	1
38	349-2331	RELAY, 24V, SMALL, W/FLAT MTG PLATE	1
39	349-9604	FUSE, RESETTABLE, 4 AMP, 50V DC MAX	1
40	390-9615	FUSE, RESETTABLE, 15 AMP, 50V DC MAX	2
41	4-259	CONNECTOR, RED 50, HOUSING ONLY	1
42	5-234	SWITCH, ROCKER, DPDT, ON/ON	1
43	5-293	15 AMP RELAY	1
44	5-892	TOGGLE, ON-OFF SPST	1
45	650-4042	CORD WRAP	1
46	7-227	BUTTON COVER	2
47	7-228	SWITCH MOUNT PLATE	4
48	7-229	PUSH BUTTON SWITCH	4
49	7-292	5K POTENTIOMETER	1
50	700-2590	DUAL USB PORTS	1
51	H-00282	FW 1/4" NYLON	1
52	H-00918	HCN 1/4"-20 LG	4
53	H-0127290	1/2" LOOP CLAMP	1
54	H-0147994	3/8-32 X 1/2 PANEL NUT	1
55	H-0172518	CB #10-32 X 1/2" SS	1
56	H-1032HCN	HCN #10-32	4
57	H-11196	PROTECTIVE BOOT, TOGGLE SWITCH, (RED)	1
58	H-11198	PROTECTIVE BOOT, TOGGLE SWITCH, (GREEN)	1
59	H-11205	PROTECTIVE BOOT, TOGGLE SWITCH, (LIGHT BLUE)	1
60	H-1123202	SHCS 1/4-20 X 5/8 BLACK OXIDE	4
61	H-28667	PHP MS 4-40 X 3/4"	2
62	H-33372	SHAFT COLLAR, 3/8" ID	4
63	H-33761	5/16" INT/EXT STAR WASHER	4
64	H-41007	AB4-3A BLIND RIVET	4
65	H-70854	NYLON #4-40 SS	4
66	H-70855	NYLON #6-32 SS	2
67	H-70860	NYLON 1/4"- 20 SS	8
68	H-70861	NYLON 5/16" - 18 SS	6
69	H-70922	KN #8-32	10
70	H-70923	KN #10-32 SS	1
71	H-70925	KN 1/4-20 S/S	10
72	H-71007	FW #8 SS	4
73	H-71013	FW 1/4 ID X 5/8 OD SS	2
74	H-71015	FW 5/16 ID X 3/4 OD SS	4
75	H-71016	FW 5/16 ID X 7/8 OD SS	4
76	H-71059	LW #10, SS	8
77	H-71065	LW 5/16" SS	4
78	H-72390	PPH #6-32 X 1" MS S/S	2
79	H-72398	PPH #8-32 X 1/2" S/S	18
80	H-72418	PPH #8-32 X 1" S/S	2
81	H-72486	PPH #4-40 X 1/2" S/S	2
82	H-72534	PPH #10-32 X 3/4" S/S	4
83	H-73752	BHSCS 1/4 - 20 X 1/2" SS	4
84	H-73784	BHSCS 5/16-18 X 2.0	4
85	H-74417	CB 1/4"- 20 X .5" SS	2
86	H-74418	CB 1/4"- 20 X 5/8" S/S	4
87	H-74419	CB 1/4"- 20 X .75" SS	4
88	H-74420	CB 1/4"- 20 X 1.0" SS	1
89	H-74423	CB 1/4"- 20 X 2.0" SS	1
90	H-74429	CB 5/16"- 18 X 3/4" SS	5
91	H-76061	FW 1/4" NYLON	3
92	H-9307K99	GROMMET, 2" ID X 2-5/8" OD	1
93	M-4464T178	NEEDLE ROLLER THRUST BEARING ORING	1
94	M-5909K31	NEEDLE ROLLER THRUST BEARING	1
95	M-5909K44	NEEDLE ROLLER THRUST BEARING WASHER	2
96	M-92066A009	SCKT HEAD NUT #8-32par	2



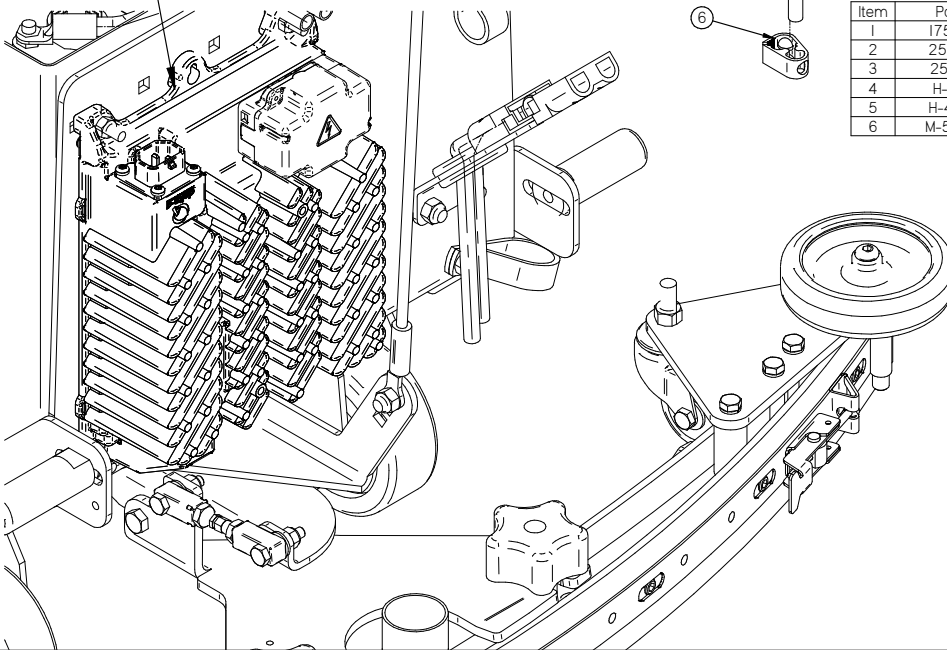


Item	Part No.	Part Description	Qty.
1	150-2830	SWITCH, TOGGLE, MOM/OFF/MOM (DPDT)	1
2	170-2700	SPACER, 1-1/2" LG	4
3	175-0300	Emergency stop switch, 5I series, IC/O	1
4	175-1292	HAND GUARD	2
5	175-2014	TOUCH SCREEN PROTECTOR	1
6	175-2018	BLUE ANODIZED SCREEN COVER	1
7	175-2023	WARNING STICKER	1
8	175-2700	NEG INSULATOR POST (BLACK)	1
9	190-1390	END CAP	2
10	21-2203	GROMMET, RUBBER 3/16 ID X 13/32 OD X 3/32 TH.	2
11	21-2230	MICRO SWITCH	1
12	21-4520	SPEED CONTROL KNOB, RED	1
13	21-7101	LIFT KNOB	1
14	253-283	SWITCH, TOGGLE, ON/OFF/ON (DPDT)	1
15	264-1290	ADJUSTABLE HANDLE BAR, LEFT	1
16	264-1291	ADJUSTABLE HANDLE BAR, RIGHT	1
17	264-2001	CONTROL PANEL COVER	1
18	264-2013	CENTRAL COMMAND, TOUCH SCREEN	1
19	264-2017	SUDS/SPRAY STICKER	1
20	264-7100	SQUEEGEE LIFT LEVER	1
21	264-7890	SQUEEGEE LIFT CABLE	1
22	290-2330	RED LIGHT	1
23	290-234	KEY SWITCH (WITH KEY)	1
24	290-2340	GREEN LIGHT	1
25	290-234A	KEY SET (REPLACE)	1
26	290-9581	RESISTOR	1
27	349-9604	FUSE, RESETTABLE, 4 AMP, 50V DC MAX	1
28	390-9615	FUSE, RESETTABLE, 15 AMP, 50V DC MAX	2
29	4-259	CONNECTOR, RED 50, HOUSING ONLY	1
30	5-293	15 AMP RELAY	1
31	5-892	TOGGLE, ON-OFF SPST	1
32	650-2890	KINETECK TOUCH SCREEN CONTROLLER	1
33	650-2891	4 INCH TOUCH SCREEN	1
34	650-4042	CORD WRAP	1
35	7-227	BUTTON COVER	2
36	7-228	SWITCH MOUNT PLATE	4
37	7-229	PUSH BUTTON SWITCH	4
38	7-292	5K POTENTIOMETER	1
39	700-2590	DUAL USB PORTS	1
40	H-0147994	3/8-32 X 1/2 PANEL NUT	1
41	H-0172518	CB #10-32 X 1/2" SS	1
42	H-0172522	CB #10-32 X 1-1/4" SS	2
43	H-1032HCN	HCN #10-32	4
44	H-11196	PROTECTIVE BOOT, TOGGLE SWITCH, (RED)	1
45	H-11198	PROTECTIVE BOOT, TOGGLE SWITCH, (GREEN)	1
46	H-11205	PROTECTIVE BOOT, TOGGLE SWITCH, (LIGHT BLUE)	1
47	H-28667	PHP MS 4-40 X 3/4"	2
48	H-33761	5/16" INT/EXT STAR WASHER	4
49	H-41007	AB4-3A BLIND RIVET	4
50	H-70854	NYLON #4-40 SS	8
51	H-70855	NYLON #6-32 SS	2
52	H-70860	NYLON 1/4"- 20 SS	7
53	H-70861	NYLON 5/16" - 18 SS	6
54	H-70922	KN #8-32	2
55	H-70923	KN #10-32 SS	5
56	H-71007	FW #8 SS	4
57	H-71013	FW 1/4 ID X 5/8 OD SS	3
58	H-71015	FW 5/16 ID X 3/4 OD SS	4
59	H-71059	LW #10, SS	8
60	H-71063	LW 1/4" SS	4
61	H-71212	FNW 1/4 ID X 1.0 OD SS	4
62	H-72390	PPH #6-32 X 1" MS S/S	2
63	H-72398	PPH #8-32 X 1/2" S/S	10
64	H-72486	PPH #4-40 X 1/2" S/S	6
65	H-72534	PPH #10-32 X 3/4" S/S	4
66	H-72636	FHP #4-40 X .375 SS	4
67	H-73459	SHCS 1/4-20 X 1/2 SS	4
68	H-73758	BHSCS 1/4 - 20 X 1-3/4" SS	4
69	H-74417	CB 1/4"- 20 X .5" SS	2
70	H-74418	CB 1/4"- 20 X 5/8" S/S	4
71	H-74420	CB 1/4"- 20 X 1.0" SS	1
72	H-74429	CB 5/16"- 18 X 3/4" SS	5
73	H-76061	FW 1/4" NYLON	3
74	H-9307K74	GROMMET, 1" ID X 1-3/4" OD BUNA-N	2
75	M-4464T178	NEEDLE ROLLER THRUST BEARING ORING	1
76	M-5909K31	NEEDLE ROLLER THRUST BEARING	1
77	M-5909K44	NEEDLE ROLLER THRUST BEARING WASHER	2





On-Board Charger  
(See list below)

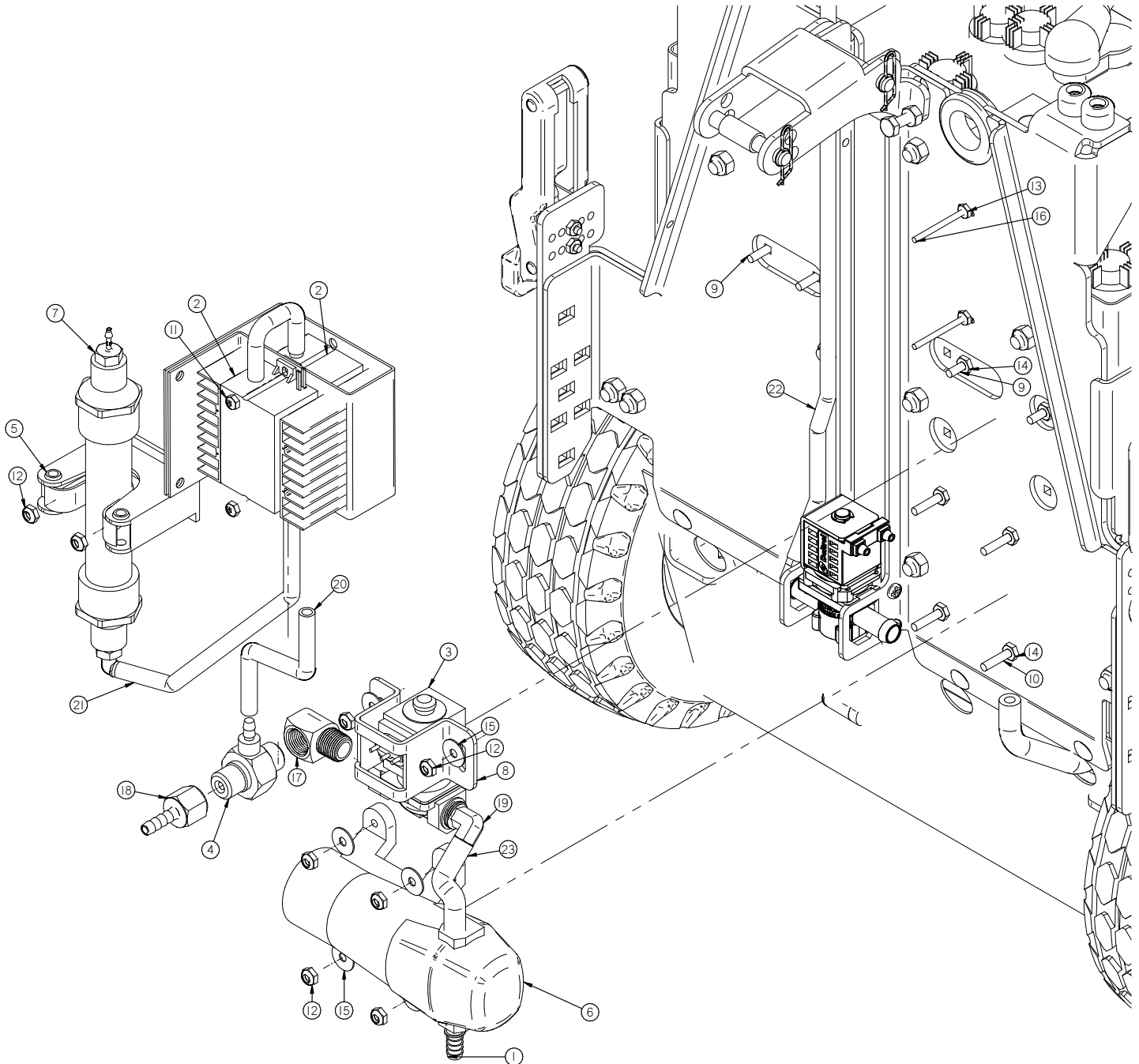


Item	Part No.	Part Description	Qty.
1	175-0000	BATTERY TRAY	1
2	253-1608	BLACK HOSE, 3-1/4" LG	1
3	253-1901	WIRE HARNESS, COMPLETE	1
4	H-40031	BATTERY BOOT	8
5	H-400317	TERMINAL COVER	8
6	M-5031K12	CLAMP STYLE PINCH VALVE	1

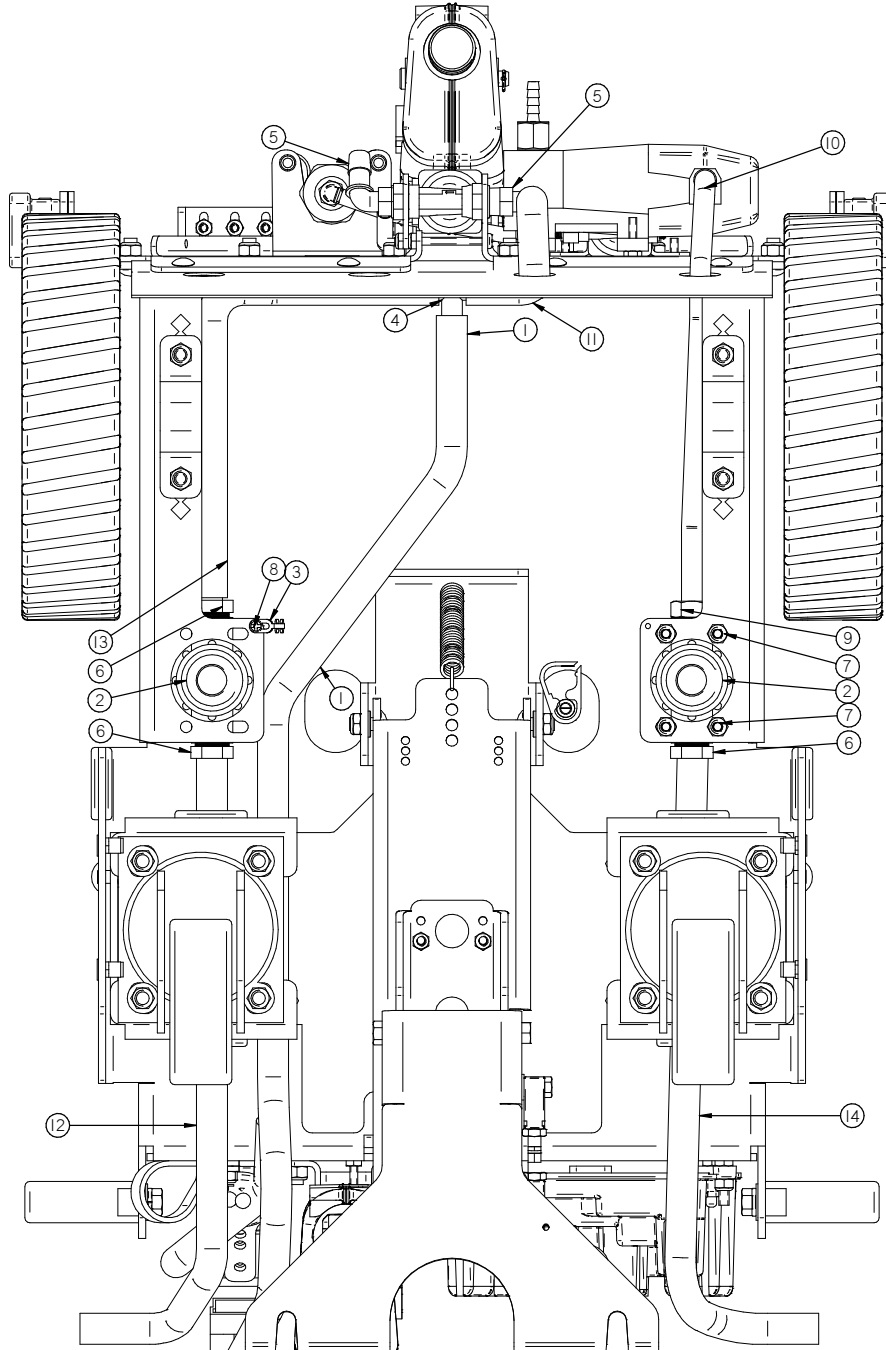
### WHICH BATTERY CHARGER TO USE WITH BATTERY SELECTION

Battery Part Number & Description	Console Charger / North America	Onboard Charger / North America / International
175-2110 (6V / 210AH - WET)	253-2540	175-2460
250-2113 (6V / 240AH - WET)	253-2540	175-2460
600-2120 (6V / 250AH - AGM)	N/A	175-2460

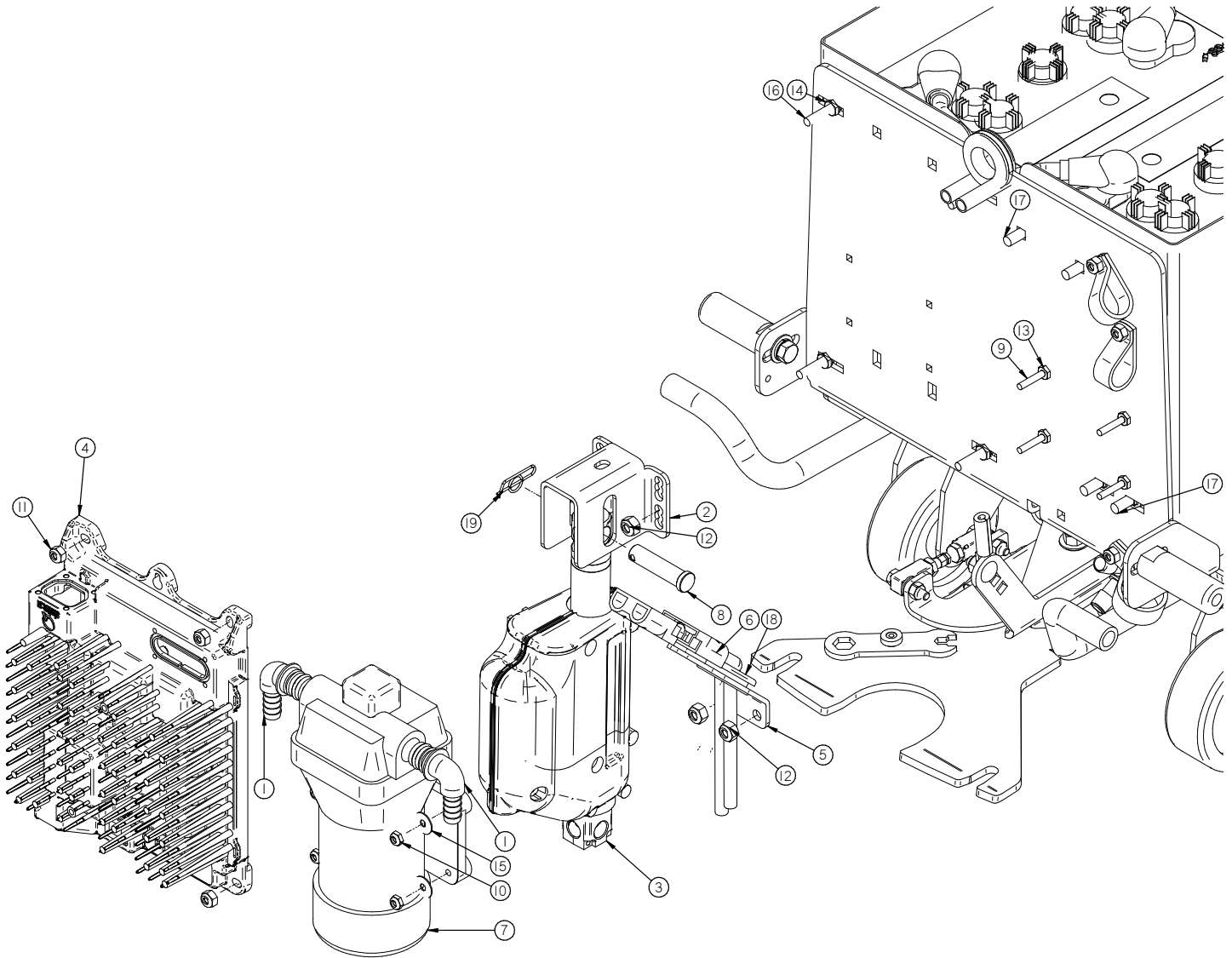




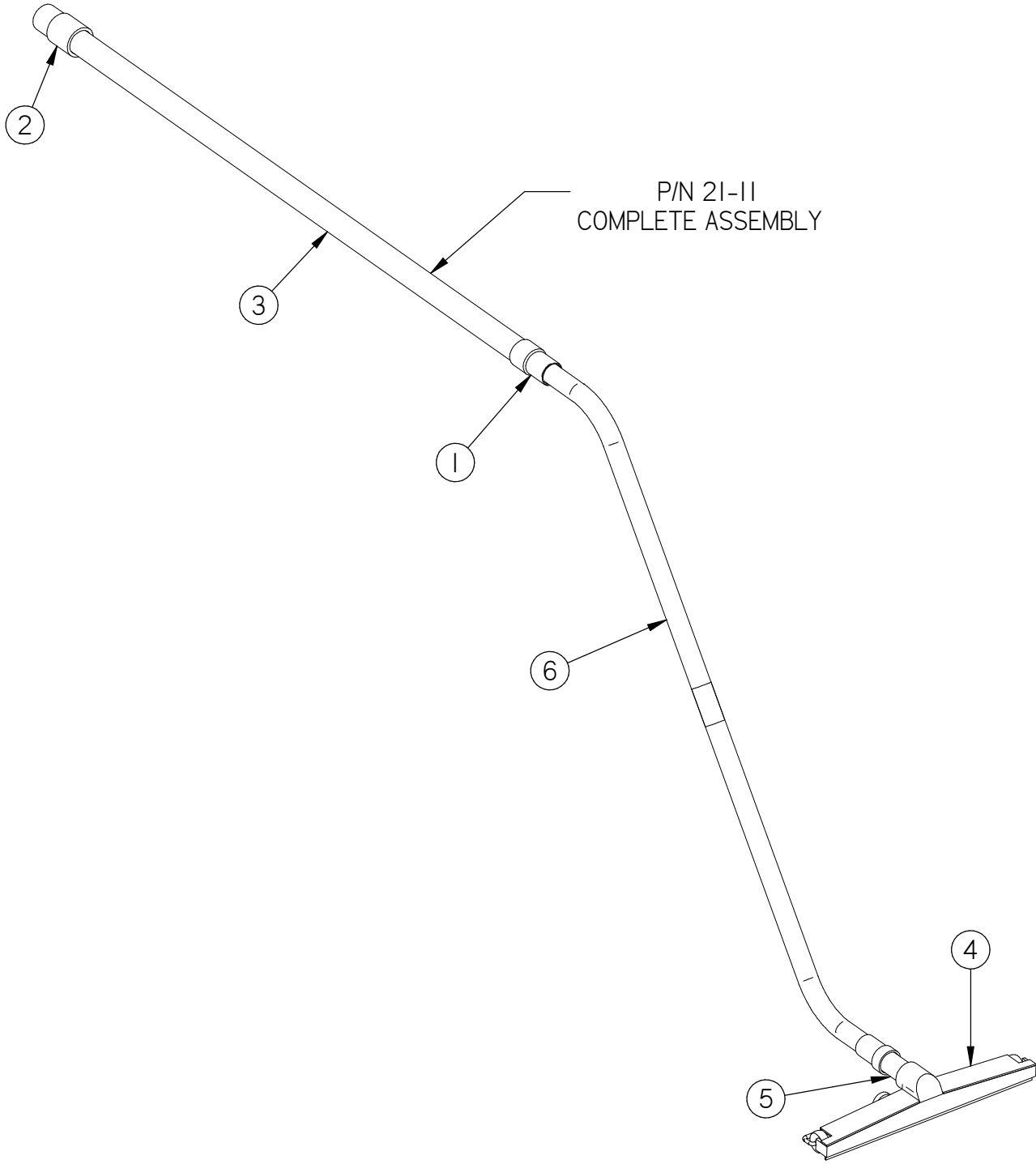
Item	Part No.	Part Description	Qty.
1	I23-1601	3/8 BARBED FITTING	1
2	I23-2334	ZERO GENERATORS	1
3	I23-6500	24V VALVE	1
4	I23-8510	RED INJECTOR	1
5	I23-8860	HOSE BRACKET HOLDER	1
6	I23-8910	PUMP, WATER JET	1
7	I23-9134	AIR DRYER	1
8	I50-5280	VALVE BRACKET	1
9	H-0172520	CB #10-32 X 3/4" SS	2
10	H-0172522	CB #10-32 X 1-1/4" SS	1
11	H-70855	NYLOK #6-32 SS	1
12	H-70858	NYLOK #10-32 SS	3
13	H-70921	KN #6-32	1
14	H-70923	KN #10-32 SS	2
15	H-71010	FW #10 ID X 11/16 OD SS	2
16	H-72393	PPH #6-32 X 2" MS S/S	1
17	M-50785K441	.375 MALE NPT X .375 FEMALE NPT ELBOW 90 DEG	1
18	M-5346K52	.375 NPT X .25 BRASS BARBED HOSE FITTING	1
19	M-53525K18	.375 NPT X 375 BRASS BARBED ELBOW	1
20	T-025CS6000	BULK 1/4" ID X 5' CLEAR SILICONE ZERO HOSE	1
21	T-025CS6000	BULK 1/4" ID X 5' CLEAR SILICONE ZERO HOSE	1
22	T-125C6000	BULK 1/4" X 5' CLEAR SUDS HOSE	1
23	T-375R6000	BULK 3/8" X 5' WIRE REINFORCED ZERO HOSE	1



Item	Part No.	Part Description	Qty.
1	175-1370	SIGHT TUBE	1
2	175-9130	INLINE FILTER	2
3	253-1618	GROUNDING CHAIN, 12"	1
4	5-446	1/2" PLASTIC BARB TEE	1
5	H-04763	ELBOW, 90 DEG X 3/8" MNPT X 1/2" BARB, NYLON	2
6	H-04788	.50 NPT X .50 BARB	3
7	H-70860	NYLOK 1/4"- 20 SS	2
8	H-72388	PPH #6-32 X 3/4" SS	1
9	M-5463K461	.50 NPT X .375 BARB,par	1
10	T-025CS6000	BULK 1/4" ID X 5' CLEAR SILICONE ZERO HOSE	1
11	T-050R6000	BULK 1/2" ID X 5' WIRE REINFORCED SOLUTION HOSE	1
12	T-050R6000	BULK 1/2" ID X 5' WIRE REINFORCED SOLUTION HOSE	1
13	T-050R6000	BULK 1/2" ID X 5' WIRE REINFORCED SOLUTION HOSE	1
14	T-050RS6000	BULK 1/2" ID X 5' WIRE REINFORCED SOLUTION HOSE	1



Item	Part No.	Part Description	Qty.
1	21-1601	1/2" BARBED ELBOW (PLASTIC)	2
2	253-1099	AUTO SQUEEGEE LIFT BRACKET	1
3	253-2240	2" STROKE 24V ACTUATOR 450 LB LOAD	1
4	264-2440	ONBOARD CHARGER	1
5	264-9516	CHARGER CONECTOR BRACKET	1
6	4-259	CONNECTOR, RED 50, HOUSING ONLY	1
7	5-891	PUMP, WATER JET	1
8	H-0156771	CLEVIS PIN, 1/2" OD X 2" LG	1
9	H-0172522	CB #10-32 X 1-1/4" SS	1
10	H-70858	NYLOK #10-32 SS	1
11	H-70860	NYLOK 1/4"- 20 SS	1
12	H-70861	NYLOK 5/16" - 18 SS	2
13	H-70923	KN #10-32 SS	1
14	H-70925	KN 1/4-20 S/S	1
15	H-71010	FW #10 ID X 11/16 OD SS	1
16	H-74421	CB 1/4"- 20 X 1-1/4" SS	1
17	H-74429	CB 5/16"- 18 X 3/4" SS	2
18	H-9307K74	GROMMET, 1" ID X 1-3/4" OD BUNA-N	1
19	H-RUE22	1/2" RUE RING COTTER	1



Item	Part No.	Part Description	Qty.
1	21-4072	HOSE CUFF, 1 1/2"	1
2	290-7212	1-1/2" - 2" HOSE CUFF	1
3	5-883	HOSE	1
4	5-889	VACUUM NOZZLE	1
5	7-884	COUPLER, S/S	1
6	7-887	TWO PIECE CHROME VAC WAND	1

**BLANK**  
THIS PAGE WAS INTENTIONALLY LEFT BLANK

**ROUND DISK BRUSHES:**
**NOTICE**

The ## in Disk Column Denotes Desk Pad Size: 13" or 14"

BRUSHES	DISK	LEVEL
Super Grit	##-382SS	Very High
Tough Grit	##-382S	High
Midi Grit	##-382C	Medium
Light Grit	##-382PS	Moderate
Poly	##-382P	Light
Nylon	##-382N	Light
Tampico	##-382T	Light
Pad Driver	##-382D	
Diamond Driver	##-382DD	

**ROUND DISK PADS:**
**NOTICE**

The ## in Disk Column Denotes Desk Pad Size: 13" or 14"

DISK PADS	DISK	LEVEL	COLOR
Super Black	##-422BB	Very High	Black
Black	##-422B	High	Black
Brown	##-422BR	High	Brown
Green	##-422G	Medium	Green
Blue	##-422BL	Moderate	Blue
Red	##-422R	Moderate	Red
White	##-422W	Light	White

**CYLINDRICAL BRUSHES:**

BRUSHES	MODEL 25" CYLINDRI- CAL	MODEL 29" CYLINDRICAL	LEVEL
Tough Grit	236-697S	276-697S	High
Midi Grit	236-697C	276-697C	Medium
Light Grit	236-697PS	276-697PS	Moderate
Nylon	236-697N	276-697N	Light
Tampico	236-697T	276-697T	Light

**EDGE PADS AND SCREENS:**

DESCRIPTION	24"×14" SCRUBDECK	28"×14" SCRUBDECK
White Pad	N/A	EDGE-4054
Red Pad	EDGE-2404	EDGE-4053
Blue Pad	EDGE-2403	EDGE-4052
Green Pad	EDGE-2402	EDGE-4051
Black Pad	EDGE-2401	EDGE-4050
White Driver Pad	N/A	EDGE-4058
60 Grit Sand Screen	N/A	EDGE-4059
80 Grit Sand Screen	N/A	EDGE-4060
100 Grit Sand Screen	N/A	EDGE-4061
120 Grit Sand Screen	N/A	EDGE-4062
150 Grit Sand Screen	N/A	EDGE-4063
20 Grit Sand Paper	N/A	
36 Grit Sand Paper	N/A	
60 Grit Sand Paper	N/A	

Common Wear Parts

80 Grit Sand Paper	N/A	N/A
100 Grit Sand Paper	N/A	N/A
400 Grit Diamond Polishing Pad	N/A	EDGE-4013
800 Grit Diamond Polishing Pad	N/A	EDGE-4014
1500 Grit Diamond Polishing Pad	N/A	EDGE-4015
3000 Grit Diamond Polishing Pad	N/A	EDGE-4016
6000 Grit Diamond Polishing Pad	N/A	EDGE-4070
Tile/Grout Renovator Pad	N/A	EDGE-4048
Dominator HD Strip Pad	N/A	EDGE-4055
Maroon ECO Prep Pad	EDGE-2407	EDGE-4056

**EDGE GRIP FACE:**

DESCRIPTION	PART#
24"-28" Mighty Lok Grip Face	300-01037Z

**V2.0 SQUEEGEE BLADE KITS & COMPLETE SQUEEGEE ASSEMBLIES:**

SQUEEGEE SIZE	26" DISK DECKS	28" DISK DECKS	25" CYL. DECKS	29" CYL. DECKS	24" EDGE DECKS	28" EDGE DECKS
37" Squeegee	Standard	Standard	Standard	Standard	Standard	Standard
41" Squeegee	Optional	Optional	Optional	Optional	Optional	Optional

SQUEEGEE SIZE	LINATEX BLADE KIT	GUM RUBBER BLADE KIT	URETHANE BLADE KIT	COMPLETE SQUEEGEE ASSEMBLIES
37" Squeegee	237-770L	237-770G	237-770U	37-2180
41" Squeegee	241-770L	241-770G	241-770U	41-2180

SQUEEGEE MATERIAL:	USED FOR:
LINATEX	Provides best wear and tear resistance. Not designed for use with harsh chemicals.
URETHANE	Provides best resistance when dealing with harsh chemicals, oils, fuels, etc.
GUM	Provides best drying performance on rough/grouted floor types by sealing over irregularities. Short life.

**NOTICE**

Squeegee blade kits include (1) Rear Blade, (1) Front Blade, and (2) Caster Wheels with hardware.

**NOTICE**

Squeegee Assemblies (complete) listed above all come with Linatex blades.

**NOTICE**

Size is stamped into the top of the painted steel squeegee body on all squeegee's.



## Central Command Decals

**Military Grade**

**Part #:175-2021**

**Legacy**

**Part #:175-2020**

**Touch Screen**

**Part #:175-2023**

## Models / Options / Squeegee Size Decals

**FACTORY CAT** MADE IN USA

**Part #370-7214**

**Mini-HD**  
★ Handmade in U.S.A. ★

**Part #:175-1515**

**v2.0**

**Part #:175-1517**

**ZERO<sub>3</sub>**  
Chemical Free Cleaning Technology  
EPA #: 090789-VI-01

**Part #:123-1837**

**Suds**  
Onboard Chemical Dispensing

**Part #:123-1838**

37-1600  
**37"**  
94cm

**Part #:37-1600**

41-1600  
**41"**  
104cm

**Part #:41-1600**

**O3+**  
ZERO + SUDS

**Part #:123-1843**



**BLANK**  
THIS PAGE WAS INTENTIONALLY LEFT BLANK

***FACTORYCAT***<sup>®</sup>

[www.factorycat.com](http://www.factorycat.com)

1711 South Street

Racine, WI 53404 (USA)

1-262-681-3583

© 2021 RPS Corporation, All Rights Reserved.