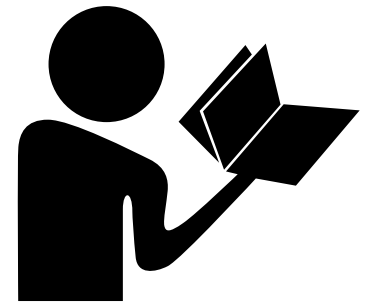
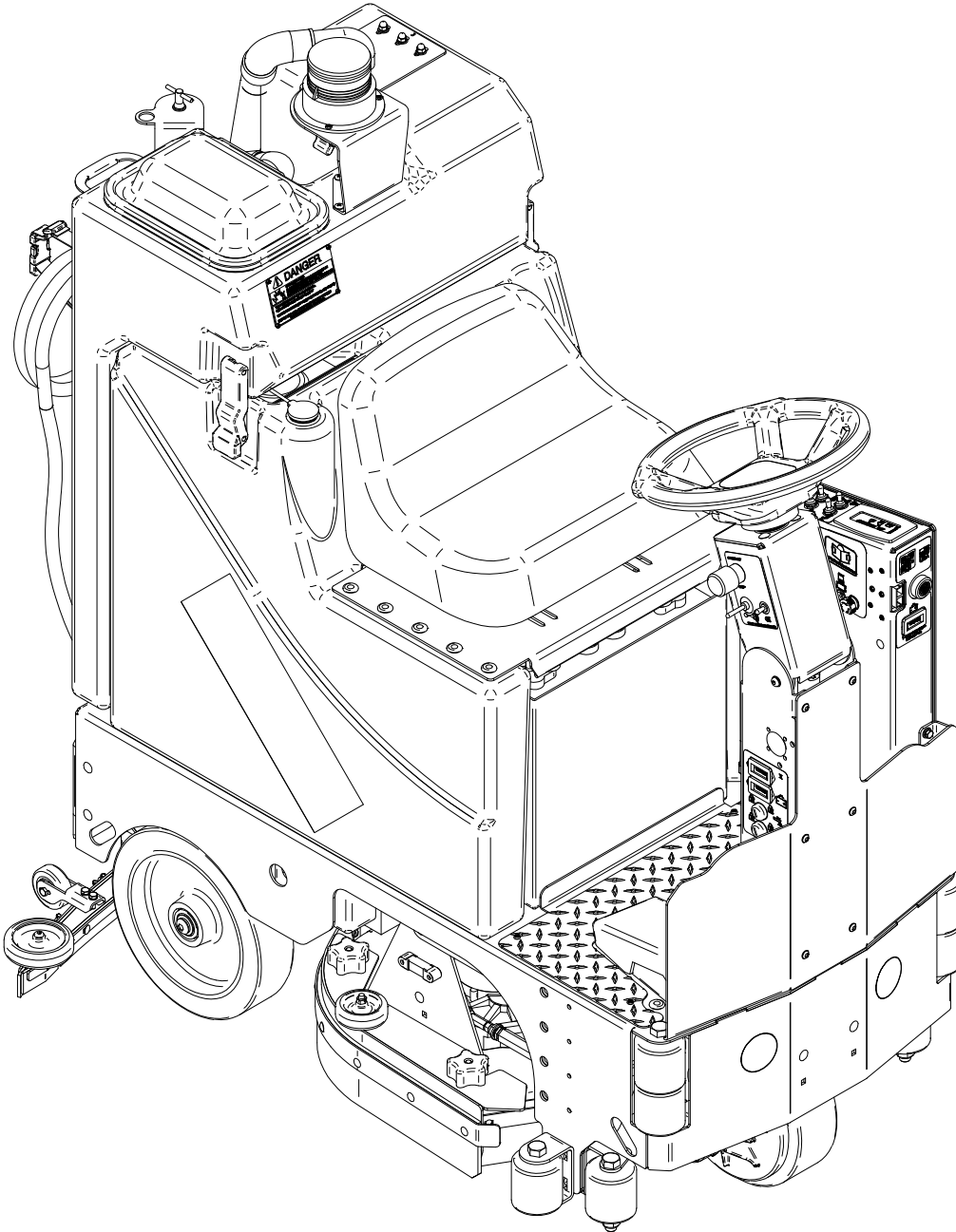


FACTORYCAT

PILOT-HD

Parts Manual (EN)



Read the Operators Manual
before using the machine.



Read the Safety Messages
before servicing machine.

www.factorycat.com
1711 South Street
Racine, WI 53404 (USA)
(800) 634-4060 | (+001) 262-681-3583
© 2018 RPS Corporation

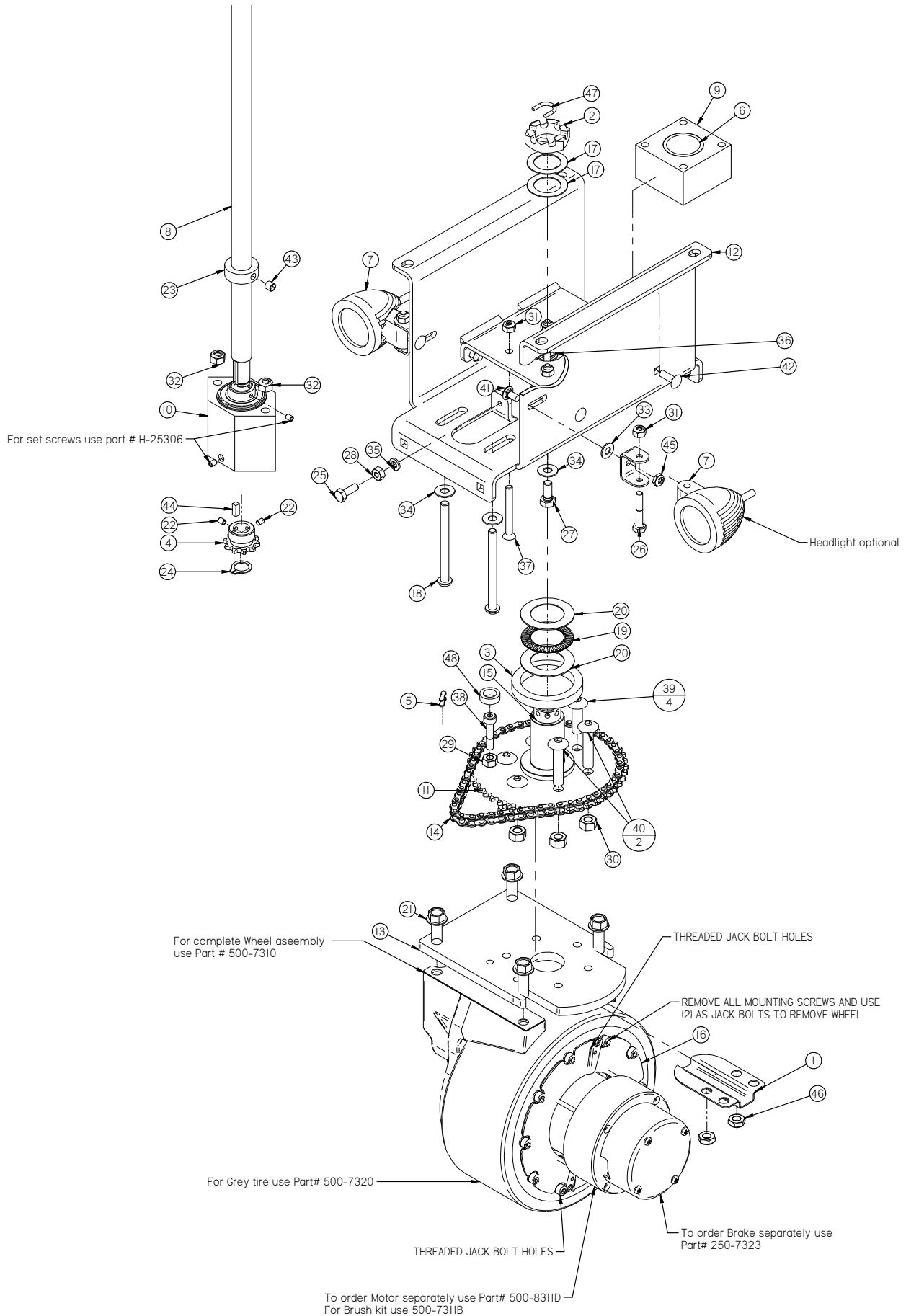
Scan With Phone for more Information



V19.268
FC-PILOT-HD-P-EN

8 Inch Front Wheel Assembly.....	4
Front Wheel, Charger, and Side Rollers.....	6
Solution Hoses	7
26 & 28 Inch Disk Decks	8
26 & 28 Inch Scrubdeck Actuator Lift	9
Disk Deck Shrouds.....	10
25 Inch Cylindrical Deck.....	11
25 Inch Cylindrical Deck Side Wipers.....	12
Cylindrical Deck Idler Doors	13
Squeegee Drag Plate	14
Squeegee Trail Arm and Rear Axle	15
Central Command / Steering Upright	16
Central Command	17
Steering Upright.....	18
Attaching Tank and Batteries.....	19
Vacuum Muffler.....	20
Batteries and Charger Options	21
Solution Tank	22
Recovery Tank.....	23
Squeegees	24
Common Wear Parts	25

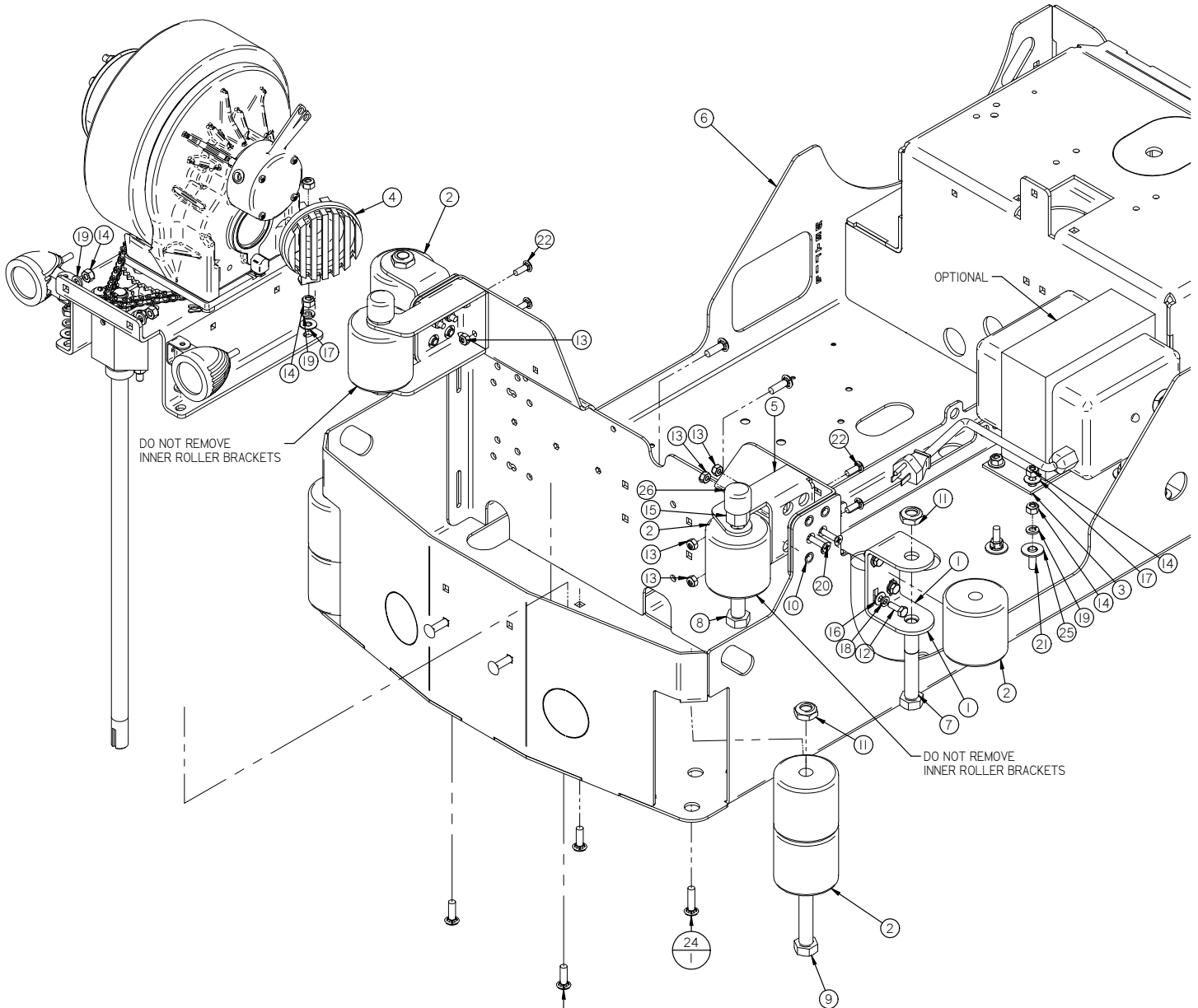
8 Inch Front Wheel Assembly



8 Inch Front Wheel Assembly

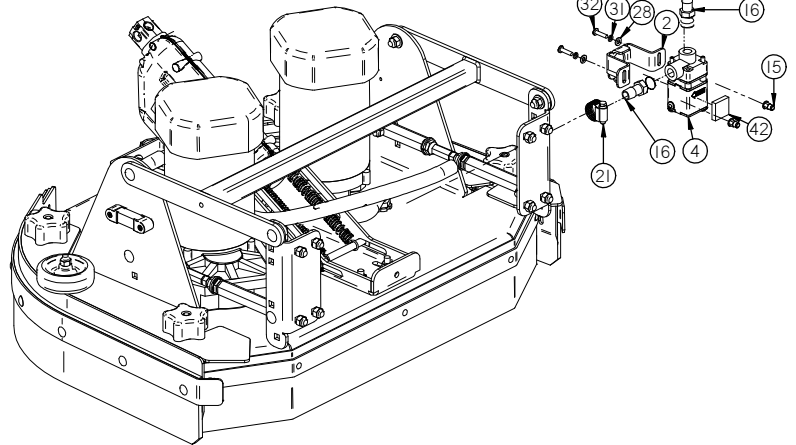
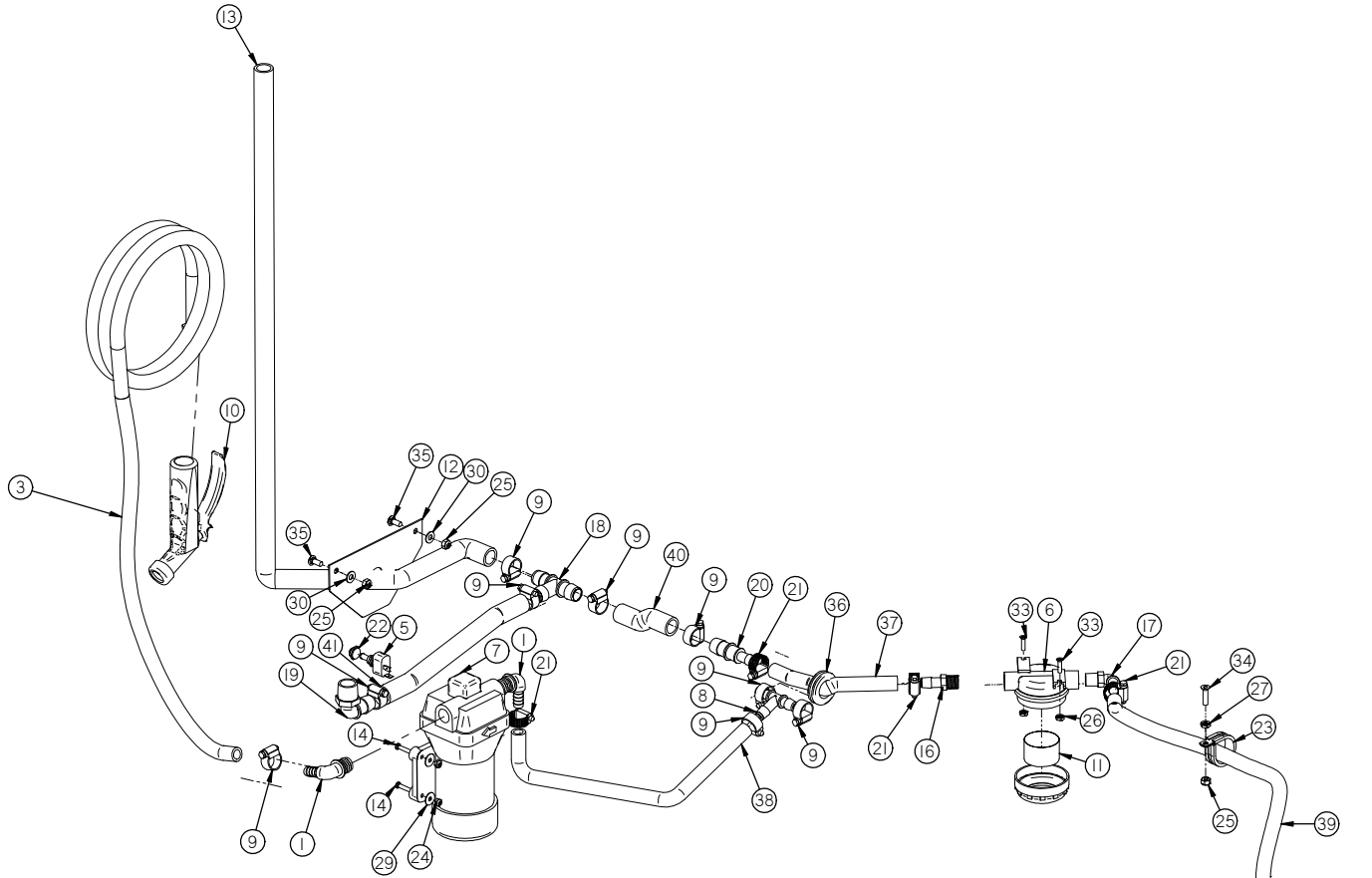
Item	Part No.	Part Description	Qty.
1	250-7328	WIRE GUIDE	1
2	37-7321	SLOTTED NUT, 2.0 - 12	1
3	370-8374	BEARING SEAL	1
4	5-826	10 TOOTH SPROCKET	1
5	5-831	MASTER LINK	1
6	500-1245	1-1/2" X 1-1/4" XI-1/2" FLG BEARING	1
7	500-2910	HEAD LIGHT	2
8	500-7121	STEERING SHAFT, LOWER 8 inch	1
9	500-7230	BEARING BLOCK	1
10	500-7231A	BEARING W/HOUSING	1
11	500-7314	48 TOOTH STEERING SPROCKET	1
12	500-7319	FRONT DRIVE DROP PLATE	1
13	500-7325	8 inch PIVOT PLATE	1
14	500-7327	48 TOOTH STEERING CHAIN	1
15	500-7332	STEERING SPINDLE	1
16	500-9557	DRIVE GUARD 18"	2
17	8-713	1 1/2" THRUST WASHER	2
18	H-0171294	BHSCS 5/16-18 X 3.5	2
19	H-05953	1-1/4 INCH BEARING	1
20	H-05954	1 1/4" WASHER	2
21	H-11115680	FB CASHD M10-1.5 X 30mm	4
22	H-25306	SSS CP #10-32 X 1/4"	2
23	H-33376	SHAFT COLLAR, 3/4" ID X 9/16 LG	1
24	H-68013	SNAPRING 5/8"	1
25	H-70003	HCS 1/4"-20 X 3/4" SS	1
26	H-70009	HCS 1/4"- 20 X 1.5" SS	2
27	H-70053	HCS 5/16"- 18 X 3/4" SS	2
28	H-70710	HN 1/4"- 20 SS	1
29	H-70711	HN 5/16"- 18 SS	1
30	H-70712	HN 3/8"-16 SS	6
31	H-70860	NYLOK 1/4"- 20 SS	10
32	H-70861	NYLOK 5/16"- 18 SS	4
33	H-71013	FW 1/4 ID X 5/8 OD SS	2
34	H-71015	FW 5/16 ID X 3/4 OD SS	6
35	H-71063	LW 1/4" SS	1
36	H-71065	LW 5/16" SS	2
37	H-72720	FHP 1/4"- 20 X 2-1/4"	4
38	H-73496	SHCS 5/16-18 X 1-1/4 SS	1
39	H-73816	BHSCS 3/8"- 16 X 1-1/4" SS	4
40	H-73818	BHSCS 3/8"- 16 X 1-3/4" S/S	2
41	H-74417	CB 1/4"- 20 X .5" SS	2
42	H-74419	CB 1/4"- 20 X .75" SS	4
43	H-81983	5/16" X 1/4" KURL SET SCREW	1
44	H-K1432	3/16" X 1/2" KEY	1
45	H-NJ04C	JNYL 1/4" - 20 SS	2
46	H-NJ06C	JNYL 3/8- 16 SS	2
47	M-9381T24	S-HOOK	1
48	T-050R0025	CLEAR TUBING	1

Front Wheel, Charger, and Side Rollers

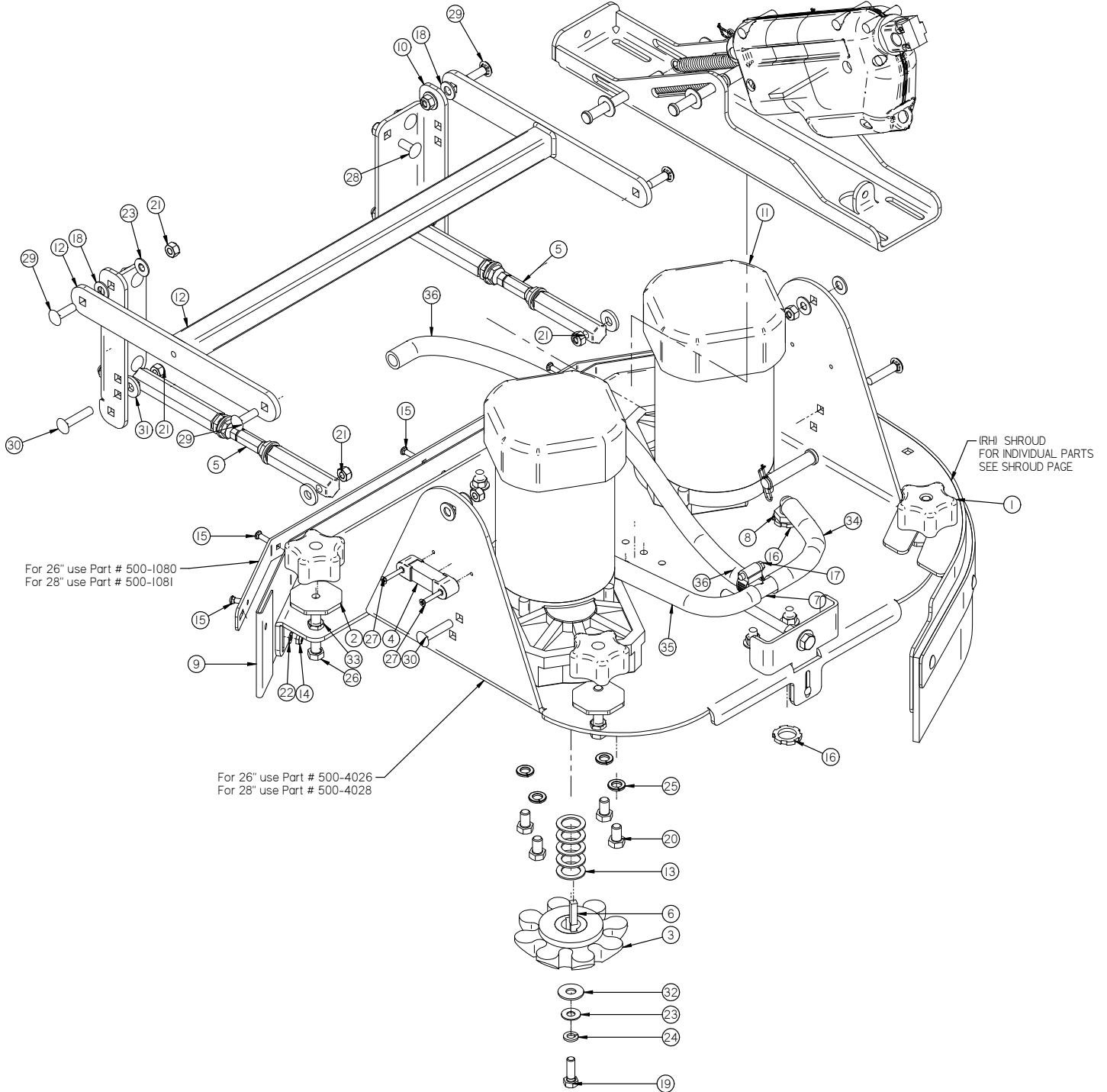


Item	Part No.	Part Description	Qty.
1	21-1126	ROLLER BRACKET	2
2	21-1127	ROLLER	8
3	250-2441	36 VOLT 25 AMP BATTERY CHARGER	1
4	370-2940	HORN	1
5	500-1028	LOWER ROLLER BRACKET	2
6	500-1101	MAIN FRAME	1
7	H-11319	HB 5/8"- 11 X 4"	2
8	H-11321	HB 5/8"- 11 X 4 1/2"	2
9	H-13327	HB 5/8"- 11 X 7"	1
10	H-250HCN	HCN 1/4"-20	8
11	H-37038	JNYL 5/8"- 11	3
12	H-70003	HCS 1/4"-20 X 3/4" SS	3
13	H-70860	NYLOK 1/4"- 20 SS	8
14	H-70861	NYLOK 5/16" - 18 SS	12
15	H-70866	NYL 5/8"- 11	2
16	H-71013	FW 1/4 ID X 5/8 OD SS	3
17	H-71015	FW 5/16 ID X 3/4 OD SS	5
18	H-71063	LW 1/4" SS	3
19	H-71065	LW 5/16" SS	9
20	H-72710	FHP 1/4"- 20 X 1" SS	4
21	H-73909	FHSCS 5/16"- 18 X 1-1/4" SS	4
22	H-74419	CB 1/4"- 20 X .75" SS	4
23	H-74430	CB 5/16"- 18 X 1" SS	7
24	H-74431	CB 5/16"- 18 X 1-1/4" SS	1
25	H-99001	FW 3/8" SS	4
26	M-9267K47	15/16" HEX CAP	2

Solution Hoses

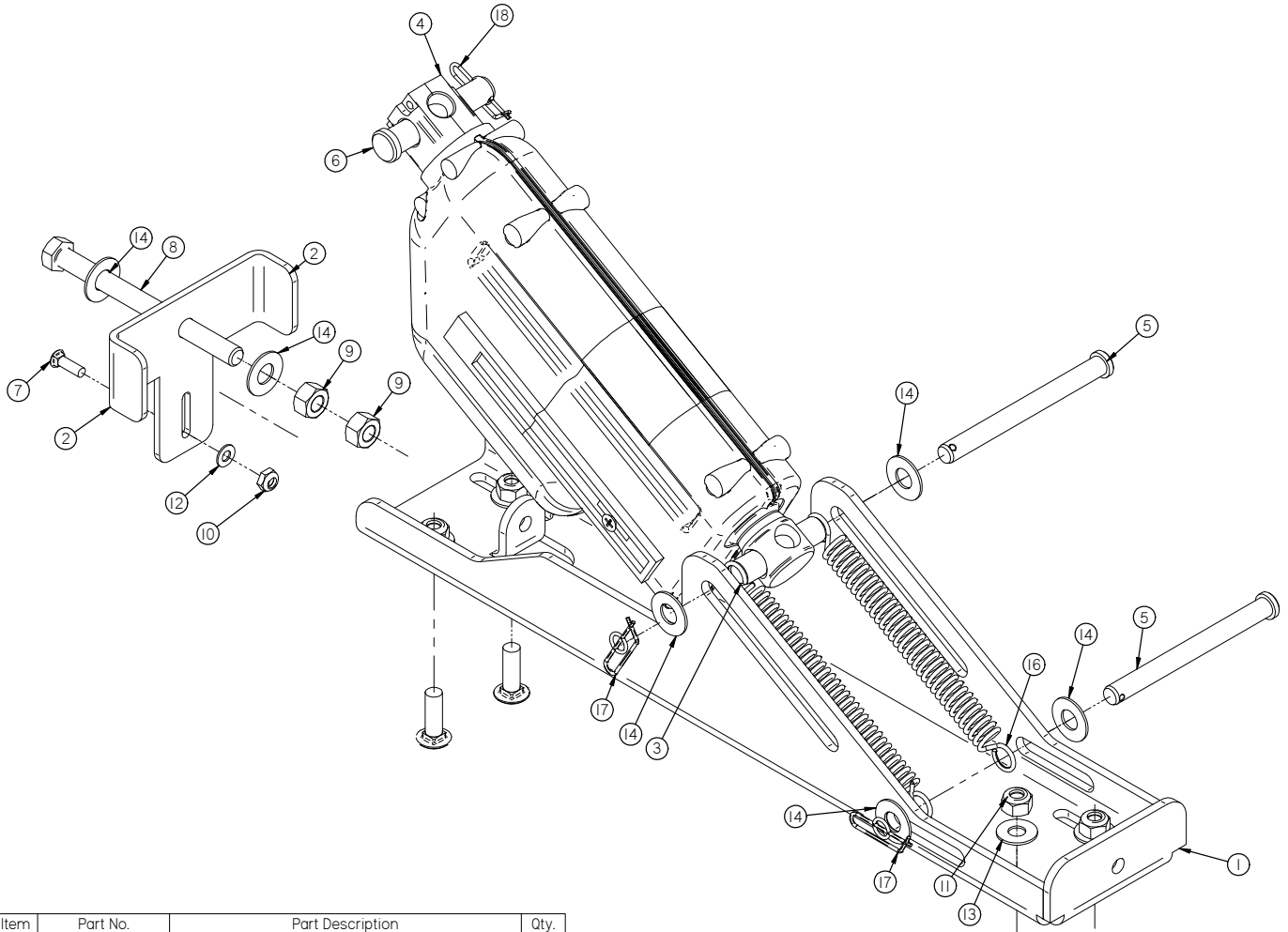


Item	Part No.	Part Description	Qty.
1	21-1601	1/2" BARBED ELBOW (PLASTIC)	2
2	250-5280	VALVE BRACKET	1
3	290-8960	spray hose	1
4	370-7245	FLOW VALVE	1
5	370-8920	TOGGLE, ON-OFF SPST	1
6	370-9130	IN LINE FILTER BODY	1
7	430-8910	PUMP, WATER JET, 36V	1
8	5-446	1/2" PLASTIC BARB TEE	1
9	5-848	CLAMP 9/16"- 1 1/16" SS	9
10	5-895	SPRAY NOZZLE	1
11	5-9135	INLINE FILTER SCREEN	1
12	500-1076	REAR FRAME CURTAIN	1
13	500-1370	Rear sight tube	1
14	H-0172522	CB #10-32 X 1-1/4" SS	3
15	H-02309	HCN #10-32, LG CRIMP	2
16	H-04763	.375 NPT X .50 BARB	3
17	H-04763	ELBOW, 90 DEG X 3/8" MNPT X 1/2" BARB, NYLON	1
18	H-04906	3/4" PLASTIC BARB TEE	1
19	H-04907	3/4" NPT TO 3/4" BARBED ELBOW	1
20	H-04908	3/4" TO 1/2" COUPLING	1
21	H-081	CLAMP 7/16"- .25/32" SS	6
22	H-11199	PROTECTIVE BOOT, TOGGLE SWITCH, (BLUE)	1
23	H-3225T	1-1/2" LOOP CLAMP	1
24	H-70858	NYLOK #10-32 SS	1
25	H-70860	NYLOK 1/4"- 20 SS	3
26	H-70923	KN #10-32 SS	1
27	H-70925	KN 1/4-20 S/S	1
28	H-71009	FW #10 SS	1
29	H-71010	FW #10 ID X 1 1/16 OD SS	1
30	H-71013	FW 1/4 ID X 5/8 OD SS	2
31	H-71059	LW #10, SS	1
32	H-72534	PPH #10-32 X 3/4" S/S	1
33	H-72684	FHP 10-32 X 3/4" SS	2
34	H-73883	FHSCS 1/4- 20 X 1.0" S/S	1
35	H-74418	CB 1/4"- 20 X 5/8" S/S	2
36	H-9307K74	GROMMET, 1" ID X 1-3/4" OD BUNA-N	1
37	T-050R0800	1/2"ID X 8"LG SOLUTION HOSE	1
38	T-050R0900	1/2"ID X 9"LG SOLUTION HOSE	1
39	T-050R2300	1/2"ID X 23"LG SOLUTION HOSE	1
40	T-075R0500	3/4"ID X 5"LG SOLUTION HOSE	1
41	T-075R1400	3/4"ID X 14"LG SOLUTION HOSE	1
42	T-438350025	VALVE PAD	1

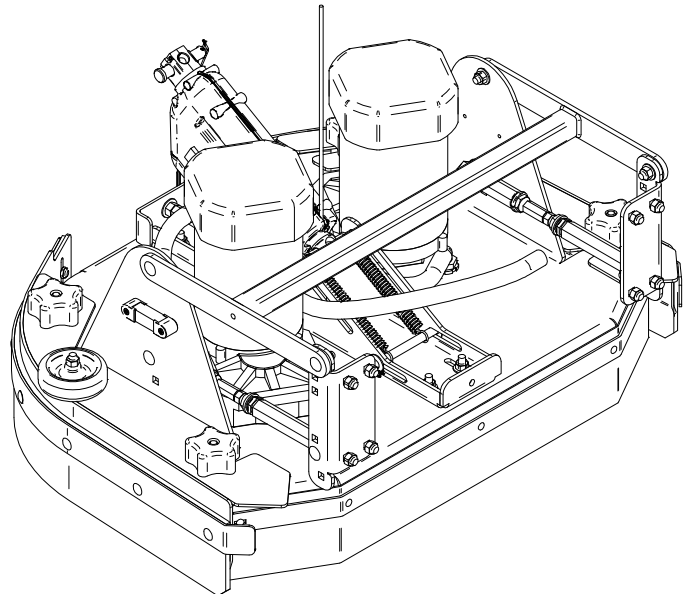


Item	Part No.	Part Description	Qty.	Item	Part No.	Part Description	Qty.
1	150-5786	STAR KNOB, 3/8-16 THREAD	4	19	H-70055	HCS 5/16" - 18 X 1" SS	2
2	250-1184	SHROUD ADJ. KNOB (3/8-16 THREAD)	4	20	H-70140	HCS 3/8"-24 X 5/8" SS	8
3	264-5003	BRUSH DRIVER ROUNDED TOOTH	2	21	H-70861	NYLOK 5/16" - 18 SS	16
4	300-4030	LEVEL	2	22	H-71009	FW #10 SS	5
5	300-8421	ADJUSTABLE LATERAL ARM	2	23	H-71015	FW 5/16 ID X 3/4 OD SS	6
6	5-431	1/4" X 1" KEY	2	24	H-71065	LW 5/16" SS	2
7	5-446	1/2" PLASTIC BARB TEE	1	25	H-71067	LW 3/8" SS	8
8	5-447	1/2 NPT X 1/2" BARB ELBOW	2	26	H-71190	HCS 3/8"- 16 X 2-1/2" SS (FULLY THREADED)	4
9	500-1164	26/28 FRONT DECK CURTAIN	1	27	H-72645	FHP #8-32 X 1.0"	4
10	500-1265	SCRUB ARM BRACKET	2	28	H-74429	CB 5/16"- 18 X 3/4" SS	8
11	500-2220	MOTOR, 36V, 3/4 HP, 300 RPM	2	29	H-74430	CB 5/16" - 18 X 1" SS	4
12	500-9586	26/28 INCH LATERAL ARM	1	30	H-74432	CB 5/16"- 18 X 1-1/2" SS	4
13	H-00222	FW 3/4" ID X 1 1/8" OD X 3/32" SS	10	31	H-98025	FW 3/8" GRADE 8	4
14	H-0129155	JNYL #10-32, 18-8 S/S	5	32	H-99001	FW 3/8" SS NOM ID .4375 X OD 1.0	2
15	H-0172519	CB #10-32 X 5/8" SS	5	33	H-NJ06C	JNYL 3/8- 16 SS	4
16	H-07005	1/2" NPT LOCKNUT	4	34	T-050R0900	1/2"ID X 9'LG DECK HOSE	1
17	H-081	CLAMP 7/16"- 25/32" SS	1	35	T-050R1700	1/2"ID X 17'LG DECK HOSE	1
18	H-4440024	FW 3/8" X 3/4 NYLON	4	36	T-050R3600	1/2"ID X 36'LG SOLUTION HOSE	1

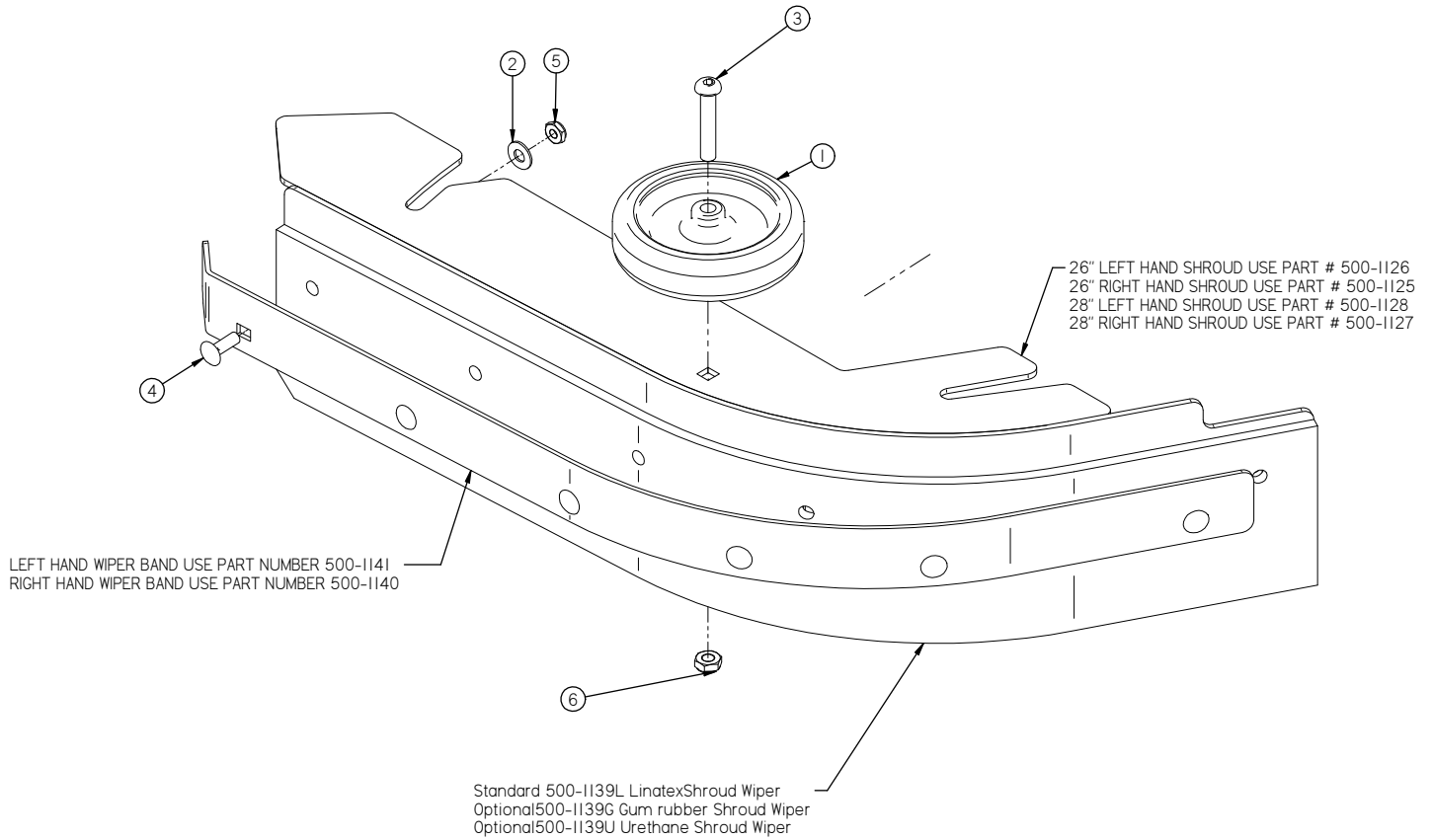
26 & 28 Inch Scrubdeck Actuator Lift



Item	Part No.	Part Description	Qty.
1	250-1103	DISK SCRUB DECK BRACKET	1
2	250-4022	DISK DECK HEIGHT ADJUSTMENT	1
3	370-1081	SLEEVE BEARING	1
4	370-2210	4" STROKE 36V ACTUATOR 450 LB LOAD	1
5	H-0156759	3/8" X 4" CLEVIS PIN SS	2
6	H-0156773	CLEVIS PIN, 1/2" X 2-1/2"	1
7	H-0172519	CB #10-32 X 5/8" SS	1
8	H-0172940	HCS 3/8"- 24 X 4.5" SS	1
9	H-70712	HN 3/8"-16 SS	2
10	H-70858	NYLOK #10-32 SS	1
11	H-70861	NYLOK 5/16" - 18 SS	4
12	H-71009	FW #10 SS	1
13	H-71015	FW 5/16 ID X 3/4 OD SS	4
14	H-71017	FW 3/8 ID X 7/8 OD SS	6
15	H-74430	CB 5/16"- 18 X 1" SS	4
16	H-96544	SPRING, 4-1/8" LG X 9/16" OD (42E)	2
17	H-RUE14	3/8" RUE RING COTTER	2
18	H-RUE22	1/2" RUE RING COTTER	1

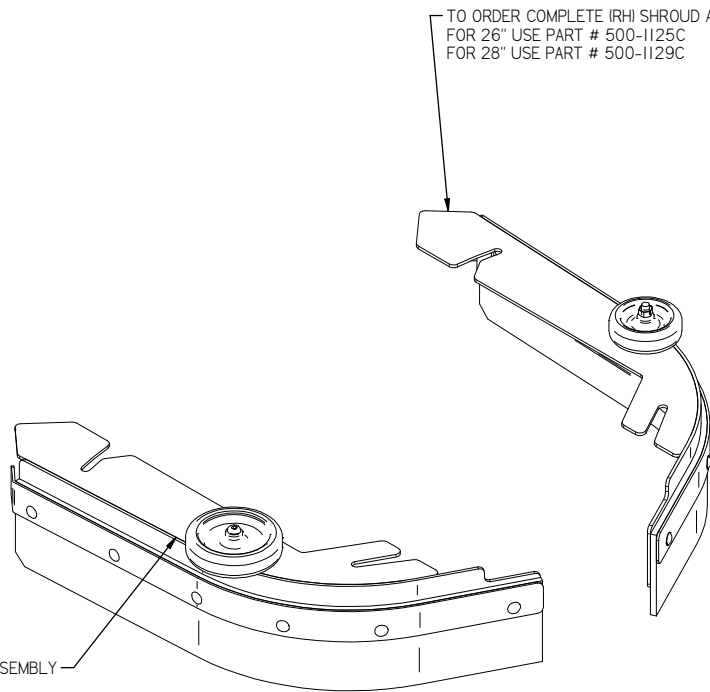


Disk Deck Shrouds



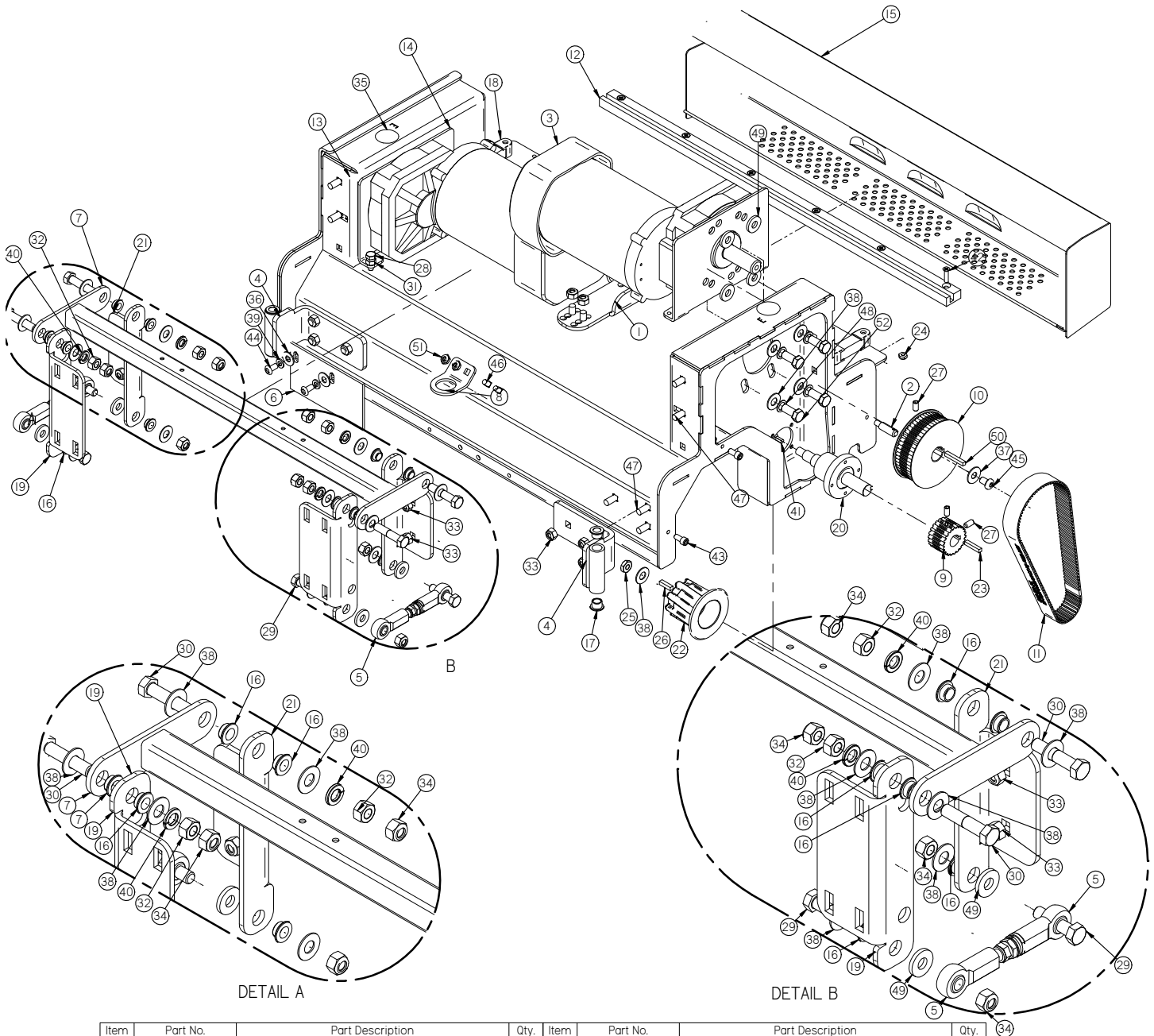
Item	Part No.	Part Description	Qty.
1	150-7600	4" SIDE WHEEL (GREY)	1
2	H-71013	FW 1/4 ID X 5/8 OD SS	6
3	H-73783	BHSCS 5/16-18 X 1.75	1
4	H-74419	CB 1/4" - 20 X .75" SS	6
5	H-NJ04C	JNYL 1/4" - 20 SS	6
6	H-NJ05C	JNYL 5/16" - 18 SS	1

TO ORDER COMPLETE (R)H SHROUD ASSEMBLY
 FOR 26" USE PART # 500-1125C
 FOR 28" USE PART # 500-1129C



TO ORDER COMPLETE (L)H SHROUD ASSEMBLY
 FOR 26" USE PART # 500-1126C
 FOR 28" USE PART # 500-1128C

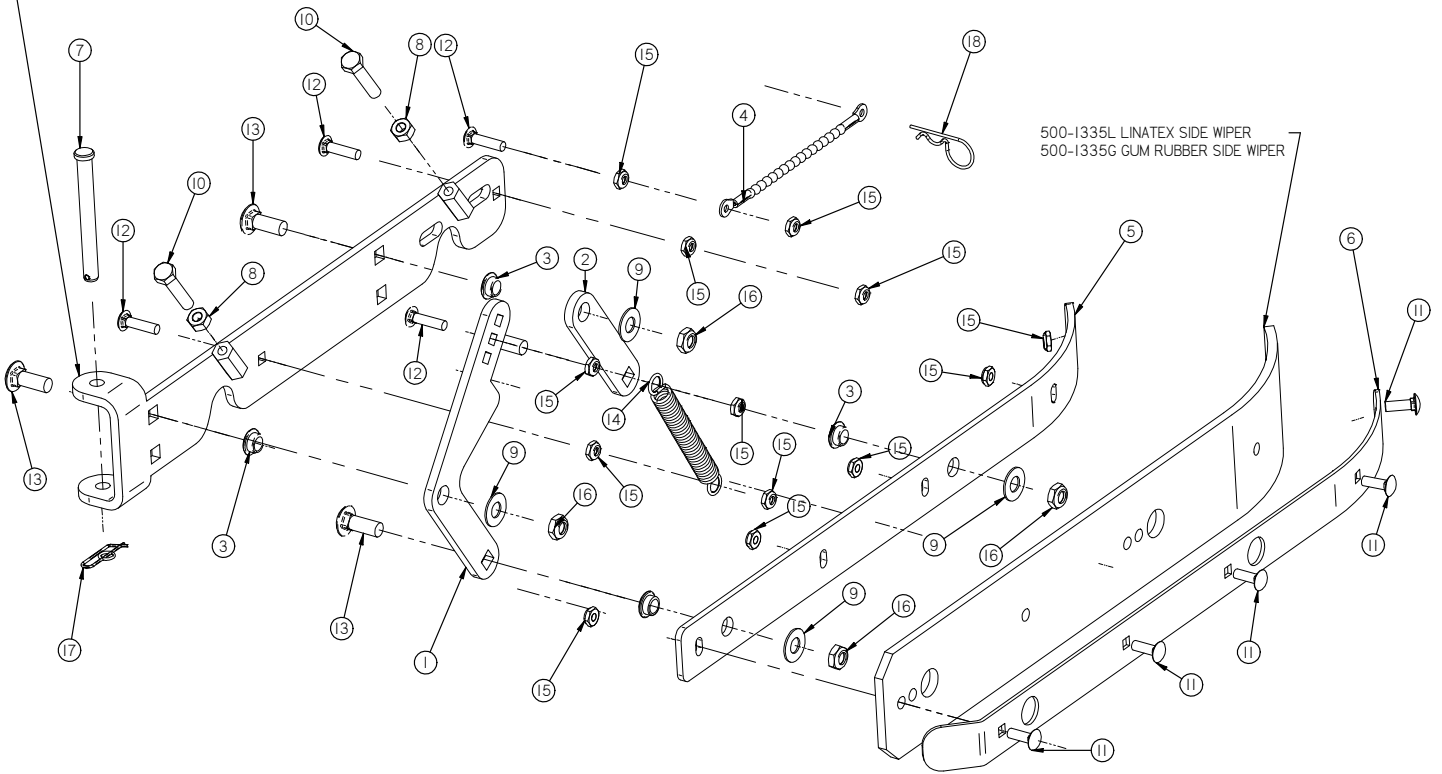
25 Inch Cylindrical Deck



Item	Part No.	Part Description	Qty.	Item	Part No.	Part Description	Qty.
1	150-9006	DECK LIFTING BRACKET	1	27	H-25382	SETSCREW, KCP, 1/4"-20 X 1/2"	8
2	250-0001	RETAINER PIN	2	28	H-70003	HCS 1/4"-20 X 3/4" SS	4
3	250-0211	MOTOR, 36V, 3/4 HP, 270 RPM	2	29	H-70109	HCS 3/8"- 16 X 1-1/2" SS	4
4	250-1230	SHROUD HINGE	2	30	H-70110	HCS 3/8"- 16 X 1-3/4" SS	4
5	250-8431	ADJUSTABLE LATERAL ARM	2	31	H-70710	HN 1/4"- 20 SS	4
6	250-9010	CYLINDRICAL CURTAIN	1	32	H-70712	HN 3/8"-16 SS	4
7	250-9585	250 CYL. LATERAL ARM	1	33	H-70861	NYLOK 5/16"- 18 SS	14
8	253-9003	QUICK DISCONNECT BRACKET	1	34	H-70862	NYLOK 3/8"-16 SS	8
9	264-8215	TIMING SPROCKET 26 TOOTH	2	35	H-70889	HOLE PLUG 7/8"	2
10	264-8225	TIMING SPROCKET 56 TOOTH	2	36	H-71015	FW 5/16 ID X 3/4 OD SS	2
11	264-8230	565-5M-25 HI-PERFORMANCE PD PLUS BELT	2	37	H-71016	FW 5/16 ID X 7/8 OD SS	2
12	264-8325	HOPPER RAIL 25"	1	38	H-71017	FW 3/8 ID X 7/8 OD SS	22
13	264-9000	CYLINDRICAL BRUSHHEAD, 25"	1	39	H-71063	LW 1/4" SS	2
14	264-9002	MOTOR ADJ BRACKET	2	40	H-71067	LW 3/8" SS	4
15	264-9050	25" HOPPER	1	41	H-72682	FHP #10-32 X 1/2" SS	8
16	290-1233	3/8" ID, 1/2" OD, 1/4" LG BEARING	12	42	H-72684	FHP 10-32 X 3/4" SS	6
17	290-1245	3/8" ID, 1/2" OD, 3/8" LG FLANGE BEARING	4	43	H-73459	SHCS 1/4"-20 X 1/2 SS	4
18	300-4030	LEVEL	2	44	H-73752	BHSCS 1/4 - 20 X 1/2" SS	2
19	370-1265	ADJUSTABLE SCRUB ARM BRACKET	2	45	H-73777	BHSCS 5/16-18 X 1/2"	2
20	370-8240A	BEARING HOUSING/BEARING	2	46	H-74417	CB 1/4"- 20 X .5" SS	2
21	500-1267	CYLINDRICAL BRACKET, 25 INCH	2	47	H-74429	CB 5/16"- 18 X 3/4" SS	14
22	600-8371	CYLINDRICAL DRIVER (HARDCOAT)	2	48	H-90895	WASHER, SERRATED BELLEVILLE, 3/8", S/S	8
23	H-01125	3/16" X 1" KEY	2	49	H-98025	FW 3/8" GRADE 8	12
24	H-0129155	JNYL #10-32, 18-8 S/S	6	50	H-K14320	3/16" X 1 1/4" KEY	2
25	H-0171004	JNYL 3/8- 24 SS	2	51	H-NJ04C	JNYL 1/4" - 20 SS	5
26	H-0953152	3/16" X 3/4" KEY	2	52	M-92865A214	HCS 3/8"-24 X 7/8" SS	8

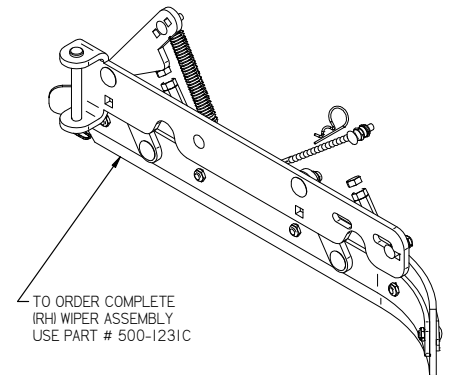
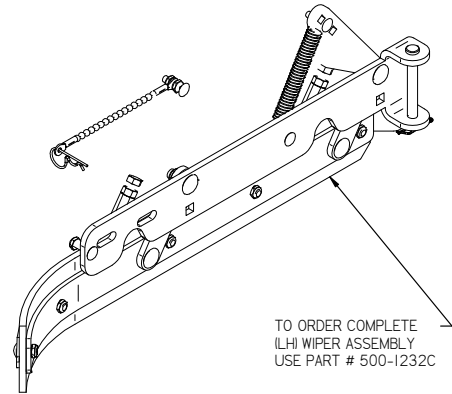
25 Inch Cylindrical Deck Side Wipers

LH WIPER HORIZONTAL ARM USE PART # 250-1232
 RH WIPER HORIZONTAL ARM USE PART # 250-1231

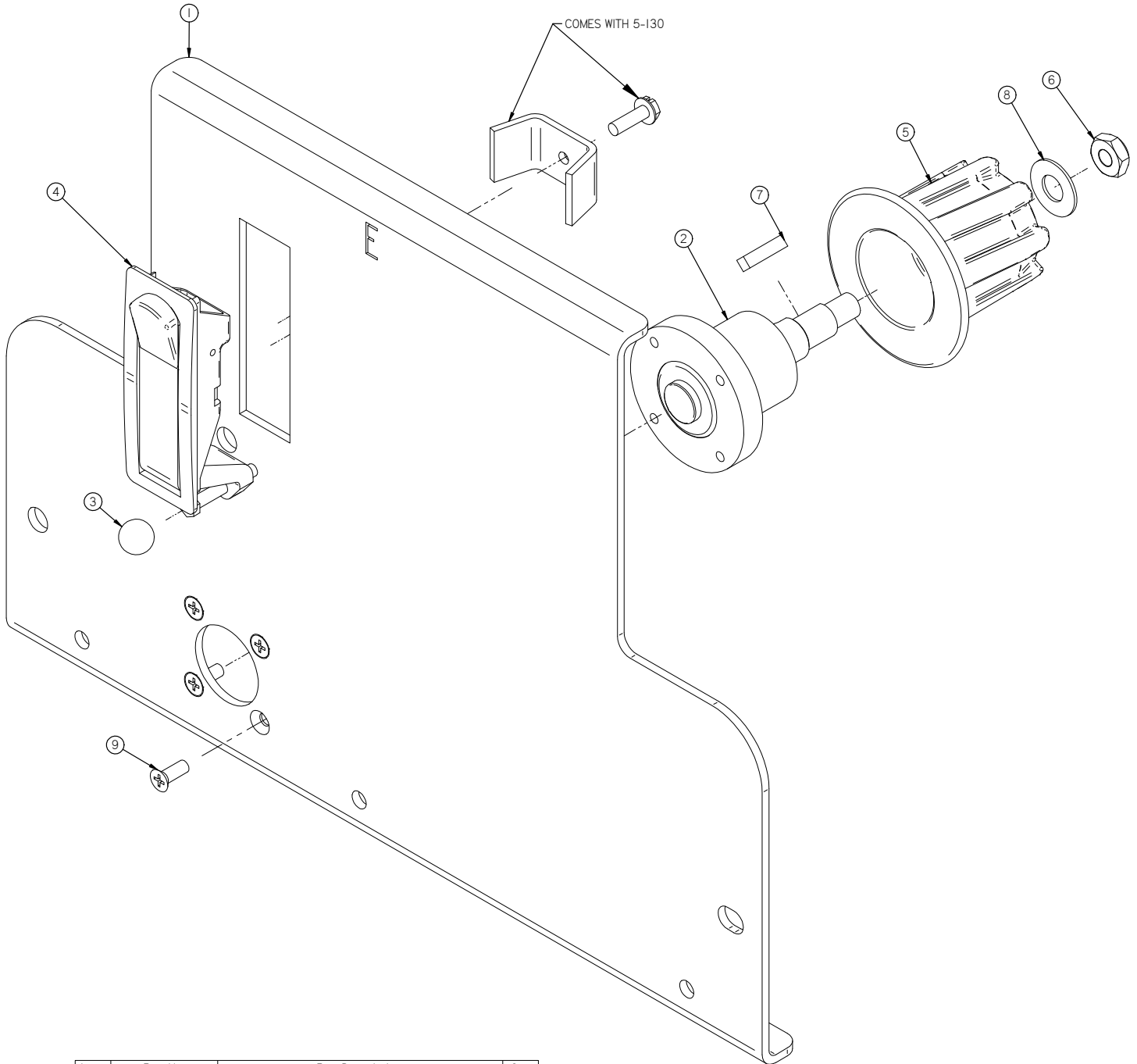


500-1335L LINATEX SIDE WIPER
 500-1335G GUM RUBBER SIDE WIPER

Item	Part No.	Part Description	Qty.
1	250-1233	SHROUD VERTICAL ARM	1
2	250-1333	WIPER VERTICAL ARM	1
3	290-1233	3/8" ID, 1/2" OD, 1/4" LG BEARING	4
4	370-4060	6" LANYARD	1
5	500-1334	SIDE WIPER ARM	1
6	500-1336	WIPER BAND	1
7	H-0156758	3/8" X 3-1/2" CLEVIS PIN	1
8	H-70711	HN 5/16" - 18 SS	2
9	H-71017	FW 3/8 ID X 7/8 OD SS	4
10	H-71180	HCS 5/16" - 18 X 1-1/2" FULLY THREADED	2
11	H-74419	CB 1/4" - 20 X 7.5" SS	5
12	H-74420	CB 1/4" - 20 X 1.0" SS	4
13	H-74436	CB 3/8" - 16 X 1.0" SS	4
14	H-96544	SPRING, 4-1/8" LG X 9/16" OD (42E)	1
15	H-NJ04C	JNYL 1/4" - 20 SS	13
16	H-NJ06C	JNYL 3/8" - 16 SS	4
17	H-RUE14	3/8" RUE RING COTTER	1
18	M-92391A044	HAIRPIN, 5/16" - 3/8" X 1-7/16" S/S	1

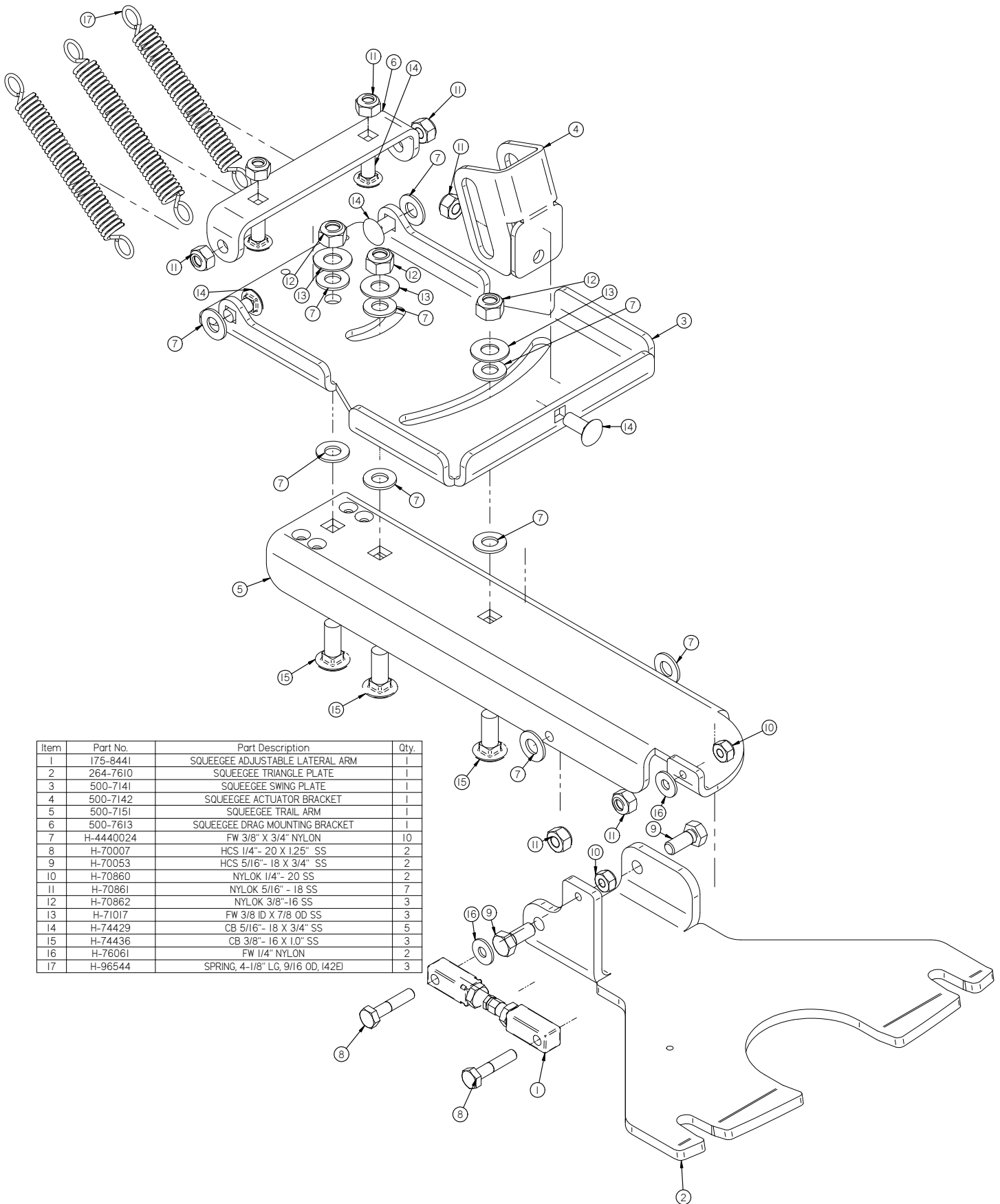


Cylindrical Deck Idler Doors



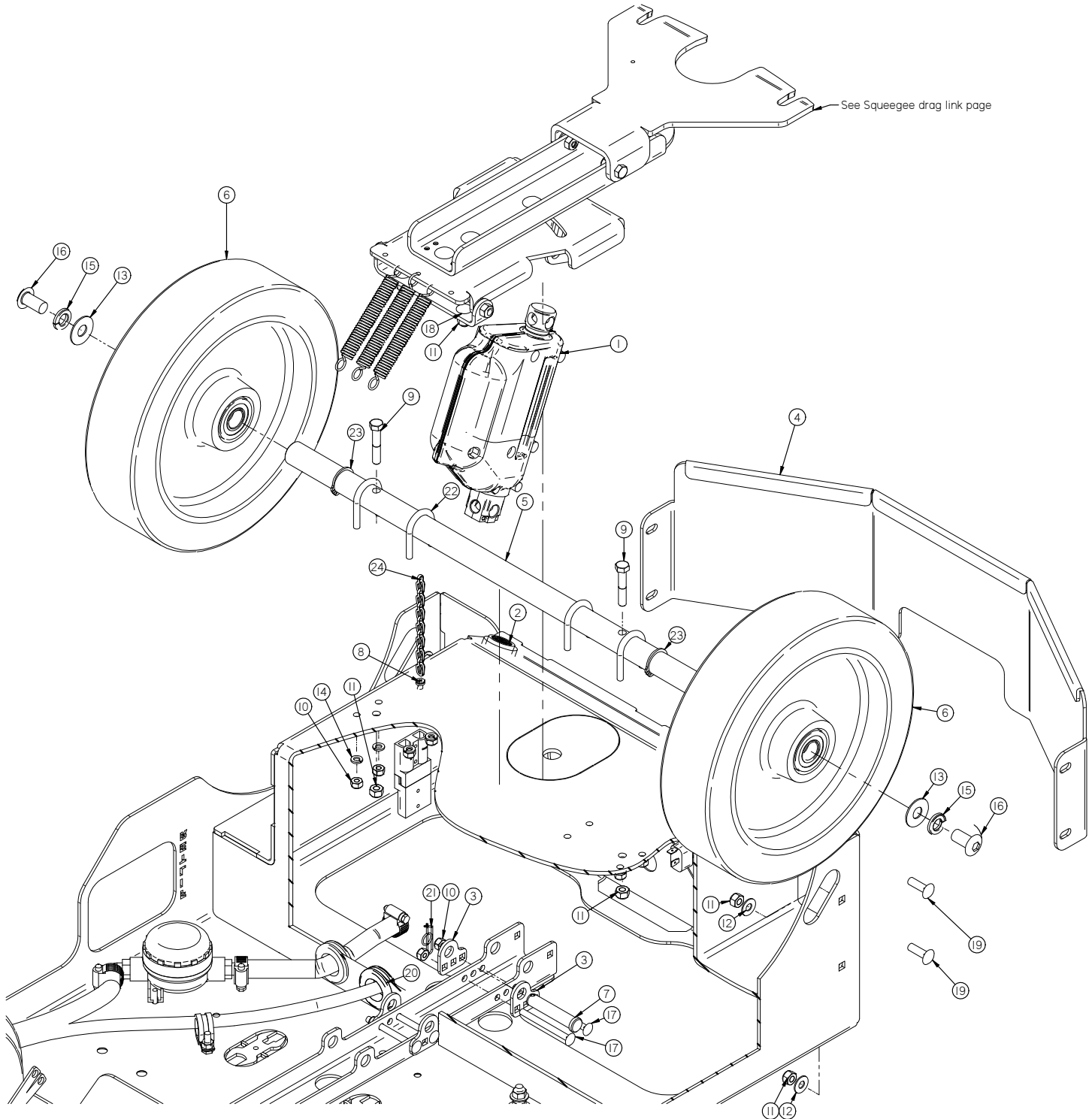
Item	Part No.	Part Description	Qty.
1	264-9022	DRIVE COVER	1
2	370-8241A	IDLER DRIVE BEARING	1
3	5-100	GROMMET	1
4	5-130	DOOR LATCH	1
5	600-8371	CYLINDRICAL DRIVER (HARDCOAT)	1
6	H-0171004	JNYL 3/8- 24 SS	1
7	H-0953152	3/16" X 3/4" KEY	1
8	H-71017	FW 3/8 ID X 7/8 OD SS	1
9	H-72682	FHP #10-32 X 1/2" SS	4

Squeegee Drag Plate



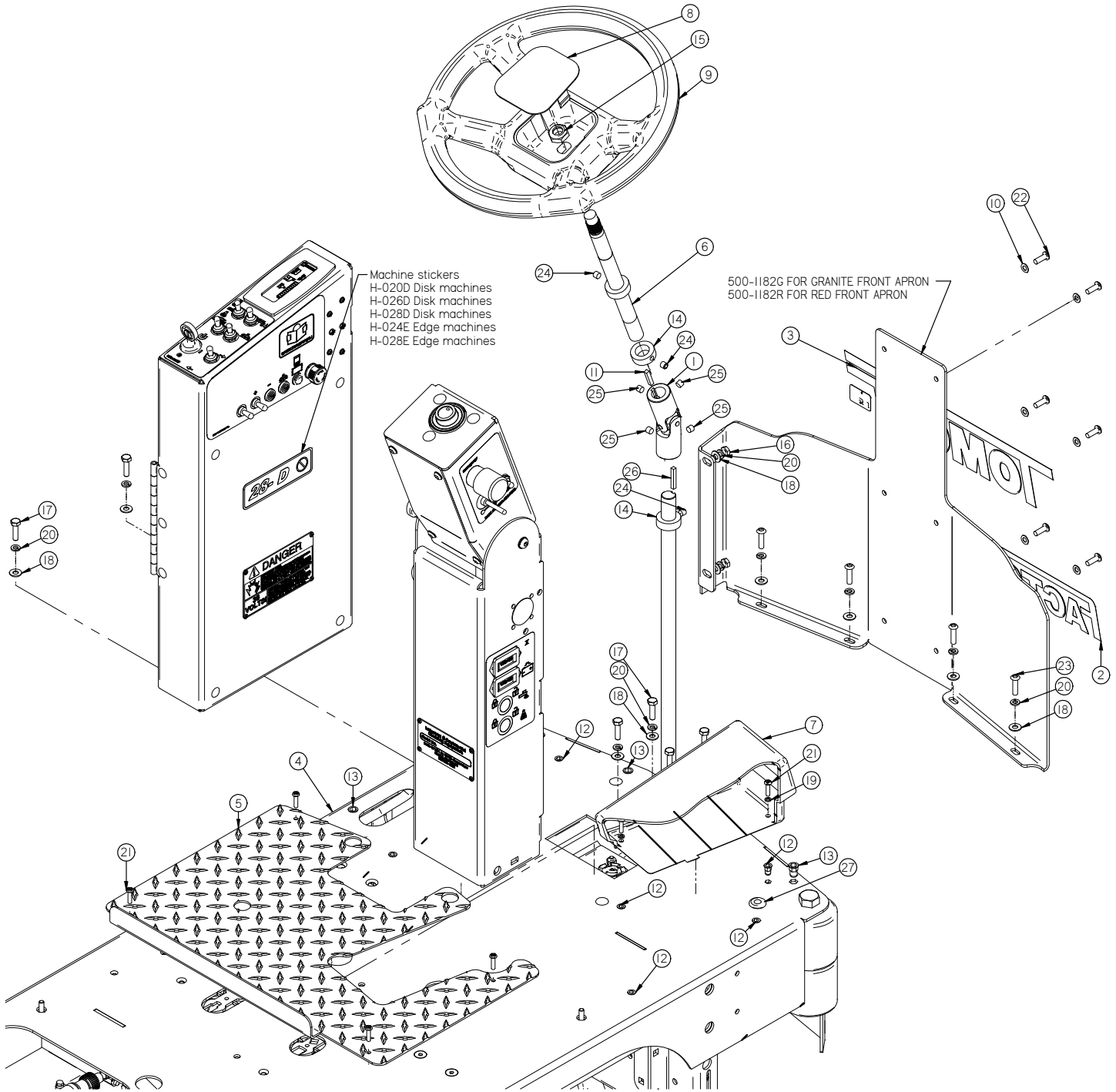
Item	Part No.	Part Description	Qty.
1	175-8441	SQUEEGEE ADJUSTABLE LATERAL ARM	1
2	264-7610	SQUEEGEE TRIANGLE PLATE	1
3	500-7141	SQUEEGEE SWING PLATE	1
4	500-7142	SQUEEGEE ACTUATOR BRACKET	1
5	500-7151	SQUEEGEE TRAIL ARM	1
6	500-7613	SQUEEGEE DRAG MOUNTING BRACKET	1
7	H-4440024	FW 3/8" X 3/4" NYLON	10
8	H-70007	HCS 1/4" - 20 X 1.25" SS	2
9	H-70053	HCS 5/16" - 18 X 3/4" SS	2
10	H-70860	NYLOK 1/4" - 20 SS	2
11	H-70861	NYLOK 5/16" - 18 SS	7
12	H-70862	NYLOK 3/8" - 16 SS	3
13	H-71017	FW 3/8 ID X 7/8 OD SS	3
14	H-74429	CB 5/16" - 18 X 3/4" SS	5
15	H-74436	CB 3/8" - 16 X 1.0" SS	3
16	H-76061	FW 1/4" NYLON	2
17	H-96544	SPRING, 4-1/8" LG, 9/16 OD, 142EI	3

Squeegee Trail Arm and Rear Axle



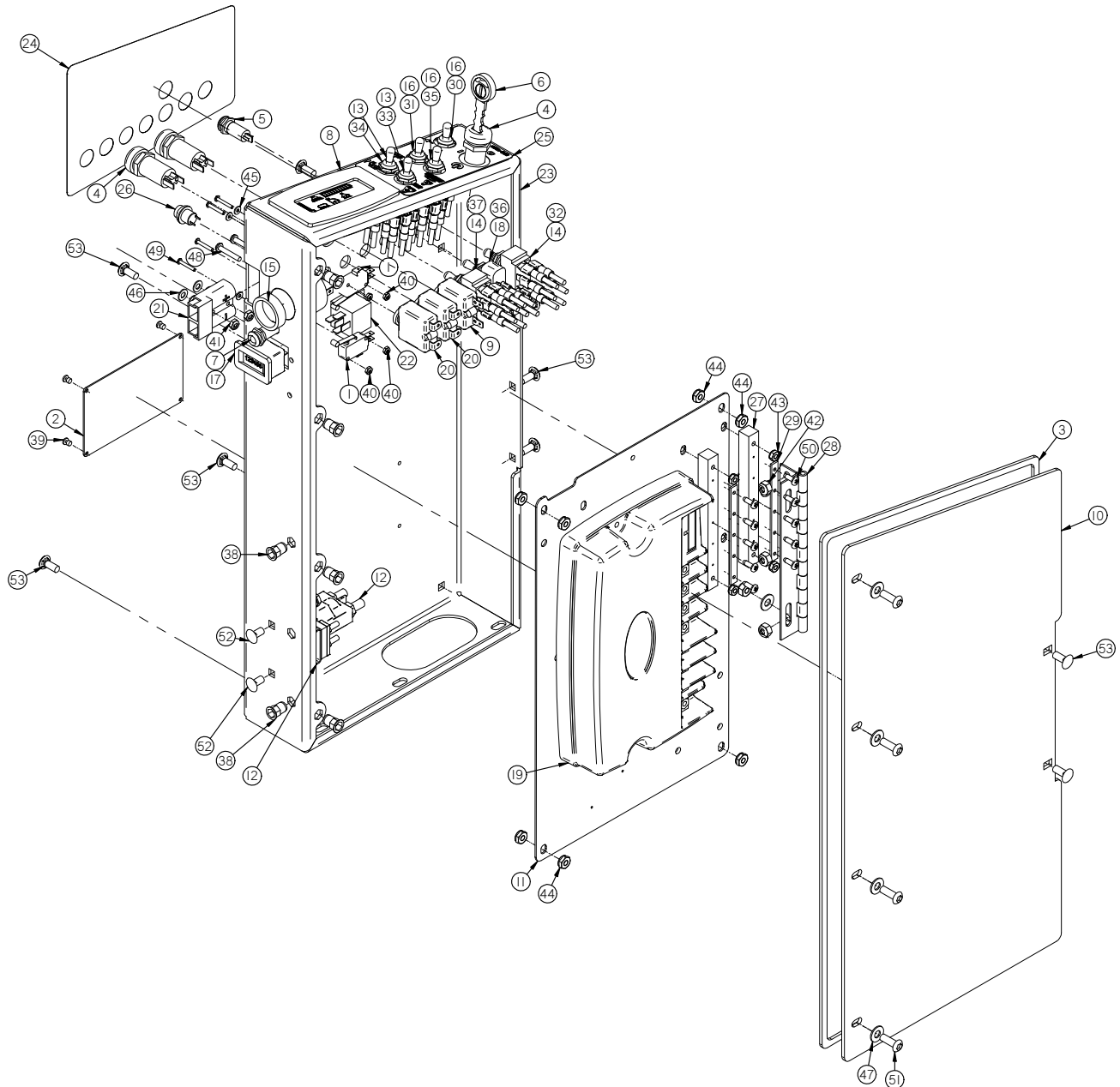
Item	Part No.	Part Description	Qty.	Item	Part No.	Part Description	Qty.
1	250-2240	2" STROKE 36V ACTUATOR 450 LB LOAD	1	13	H-71021	FW 1/2 ID X 1-1/4 OD SS	2
2	370-2930	ALARM I91 dPdI	1	14	H-71063	LW 1/4" SS	1
3	500-1006	ACTUATOR BRACKET	2	15	H-71071	LW 1/2" SS	2
4	500-1105	REAR BUMPER	1	16	H-73834	BHSCS 1/2- 13 X 1" SS	2
5	500-1271	AXLE	1	17	H-74425	CB 1/4"- 20 X 2-3/4" SS	2
6	500-6180G	DRIVE TIRE, GRAY POLY	2	18	H-74429	CB 5/16"- 18 X 3/4" SS	1
7	H-0156773	CLEVIS PIN, 1/2" X 2-1/2"	1	19	H-74430	CB 5/16"- 18 X 1" SS	4
8	H-31810	Hex Cup #10 X 16 x .75	1	20	H-9307K74	GROMMET, 1" ID X 1-3/4" OD BUNA-N	3
9	H-70060	HCS 5/16"- 18 X 1-3/4" SS	2	21	H-RUE22	1/2" RUE RING COTTER	1
10	H-70860	NYLOK 1/4"- 20 SS	2	22	M-3043T13	1/4-20 X 1.0" U-BOLT	4
11	H-70861	NYLOK 5/16"- 18 SS	5	23	M-9858A121	1 INCH EXTERNAL RETAINING RING	2
12	H-71015	FW 5/16 ID X 3/4 OD SS	2	24	T-36082450600	6" GOLD GROUDING CHAIN	1

Central Command / Steering Upright

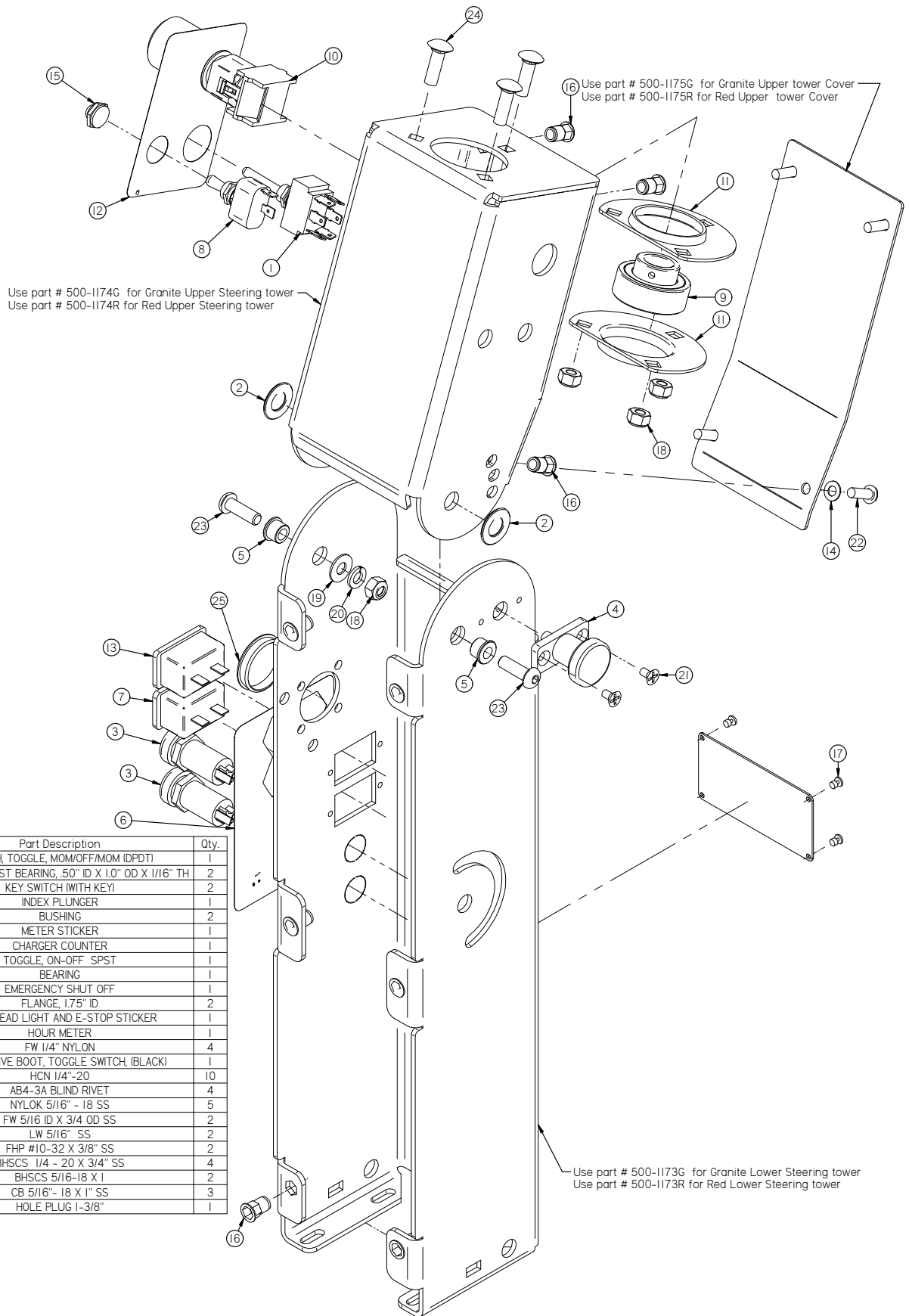


Item	Part No.	Part Description	Qty.	Item	Part No.	Part Description	Qty.
1	290-7110	U-JOINT	1	15	H-37038	JNYL 5/8" - 11	1
2	370-7201	FACTORY CAT STICKER	1	16	H-70003	HCS 1/4"-20 X 3/4" SS	6
3	370-7202	TOMCAT STICKER	1	17	H-70005	HCS 1/4"- 20 X 1" SS	6
4	500-1101	MAIN FRAME	1	18	H-71013	FW 1/4 ID X 5/8 OD SS	14
5	500-1612	NON SKID FLOOR PLATE	1	19	H-71059	LW #10, SS	1
6	500-7090	STEERING SHAFT, UPPER	1	20	H-71063	LW 1/4" SS	14
7	8-290	FOOT PEDAL	1	21	H-72534	PPH #10-32 X 3/4" S/S	5
8	8-701A	STEERING COVER	1	22	H-73754	BHSCS 1/4 - 20 X 3/4" SS	6
9	8-703	STEERING WHEEL	1	23	H-73755	BHSCS 1/4 - 20 X 1" SS	4
10	H-00282	FW 1/4" NYLON	6	24	H-81983	5/16" X 1/4" KURL SET SCREW	3
11	H-01125	3/16" X 1" KEY	1	25	H-82022	5/16-24" X 1/4" KURL SET SCREW	4
12	H-02309	HCN #10-32, LG CRIMP	8	26	H-K14320	3/16" X 1 1/4" KEY	1
13	H-250HCN	HCN 1/4"-20	14	27	M-9307K23	GROMMET .625 DIAMETER HOLE .125 THICK PANEL	1
14	H-33376	SHAFT COLLAR, 3/4" ID X 9/16 LG	3				

Central Command

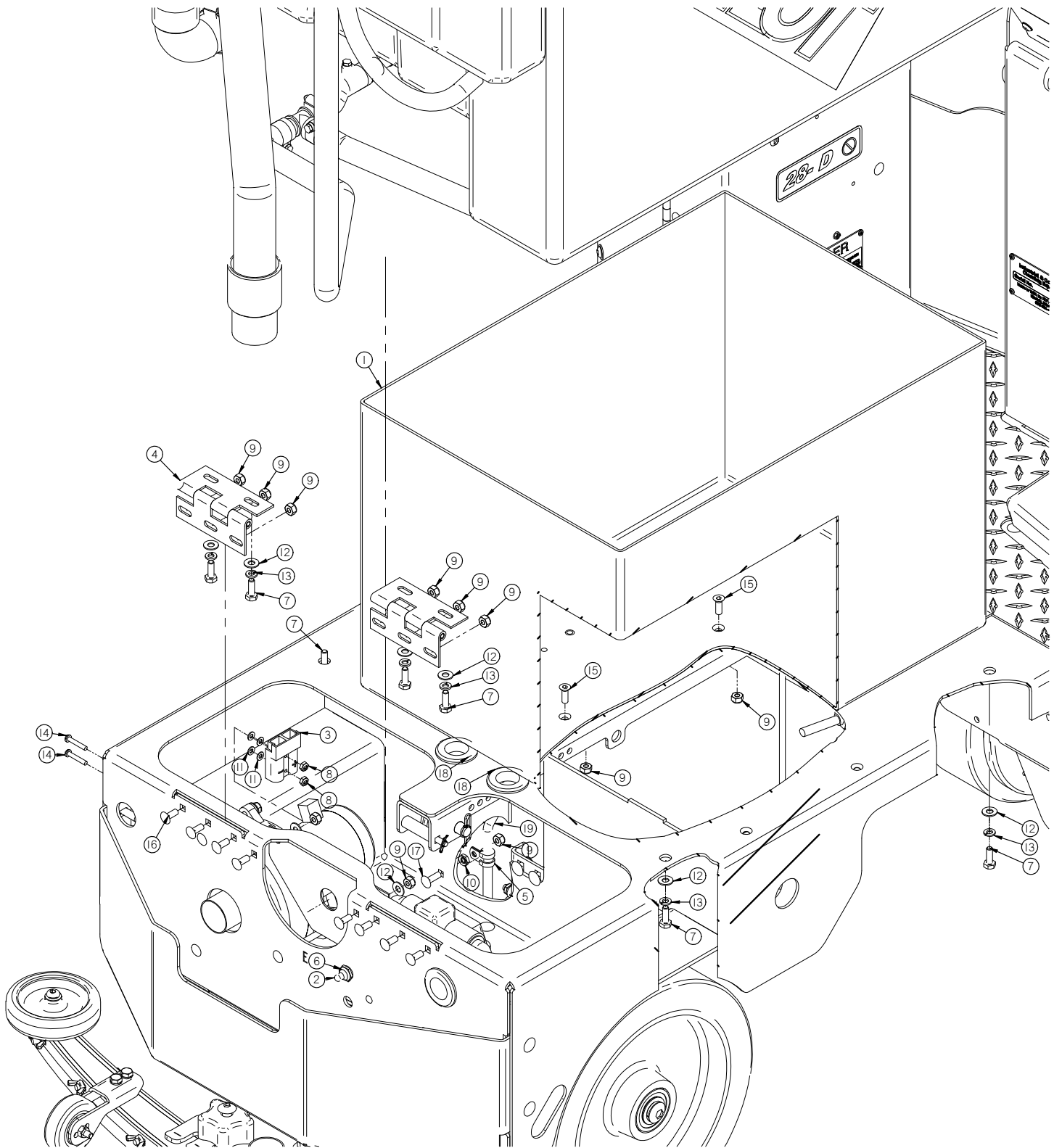


Item	Part No.	Part Description	Qty.	Item	Part No.	Part Description	Qty.
1	21-2230	MICRO SWITCH	2	27	7-287	BUSS BAR UHMW	2
2	250-7290	36V BATTERY WARNING PLATE	1	28	8-180	HINGE, 6-7/8" S/S	1
3	290-2004	ACCESS COVER GASKET	1	29	E-5HBB	5 HOLE BUSS BAR	2
4	290-234	KEY SWITCH (WITH KEY)	3	30	H-11196	PROTECTIVE BOOT, TOGGLE SWITCH, (RED)	1
5	290-2340	GREEN LIGHT	1	31	H-11197	PROTECTIVE BOOT, TOGGLE SWITCH, (YELLOW)	1
6	290-234A	KEY SET (REPLACE)	1	32	H-11198	PROTECTIVE BOOT, TOGGLE SWITCH, (GREEN)	1
7	290-2350	YELLOW LIGHT	1	33	H-11199	PROTECTIVE BOOT, TOGGLE SWITCH, (BLUE)	1
8	290-2891	LCD SCREEN	1	34	H-11200	PROTECTIVE BOOT, TOGGLE SWITCH, (BLACK)	1
9	349-9604	FUSE, RESETTABLE, 4 AMP, 50V DC MAX	1	35	H-11201	PROTECTIVE BOOT, TOGGLE SWITCH, (GRAY)	1
10	370-2001	ACCESS COVER	1	36	H-11202	PROTECTIVE BOOT, TOGGLE SWITCH, (ORANGE)	1
11	370-2006	HARDWARE PANEL	1	37	H-11203	PROTECTIVE BOOT, TOGGLE SWITCH, (PURPLE)	1
12	370-2331	RELAY, 36V, SMALL, W/FLAT MTG PLATE	1	38	H-250HCN	HCN 1/4" - 20	6
13	370-2830	SWITCH, TOGGLE, MOM/OFF/MOM (DPDT)	2	39	H-41007	AB4-3A BLIND RIVET	4
14	370-2831	SWITCH, TOGGLE, ON/OFF/ON (DPDT)	2	40	H-70854	NYLOK #4-40 SS	4
15	370-2920	ALARM	1	41	H-70856	NYLOK #8-32 SS	2
16	370-8210	SWITCH, TOGGLE, ON/ON (DPDT)	3	42	H-70860	NYLOK #8-32 X 1" SS	5
17	370-8261	CHARGER COUNTER	1	43	H-70922	KN #8-32	4
18	370-8920	TOGGLE, ON-OFF SPST	1	44	H-70925	KN 1/4-20 S/S	10
19	390-2899	CONTROLLER V4	1	45	H-71004	FW 1/8" X 5/16" SS	4
20	390-9615	FUSE, RESETTABLE, 15 AMP, 50V DC MAX	2	46	H-71009	FW #10 SS	4
21	4-260	CONNECTOR, GREY 50	1	47	H-71013	FW 1/4 ID X 5/8 OD SS	6
22	5-293	15 AMP RELAY	1	48	H-72418	PPH #8-32 X 1" S/S	6
23	500-2008	CONTROL PANEL	1	49	H-72490	PPH #4-40 X 3/4" S/S	4
24	505-1500	CONTROL PANEL STICKER, FRONT	1	50	H-72914	PPH SMS #8 X 1/2"	10
25	505-1500	CONTROL PANEL STICKER, TOP	1	51	H-73754	BHSCS 1/4 - 20 X 3/4" SS	4
26	7-229D	PUSH BUTTON SWITCH	1	52	H-74417	CB 1/4" - 20 X .5" SS	2
				53	H-74418	CB 1/4" - 20 X 5/8" S/S	9

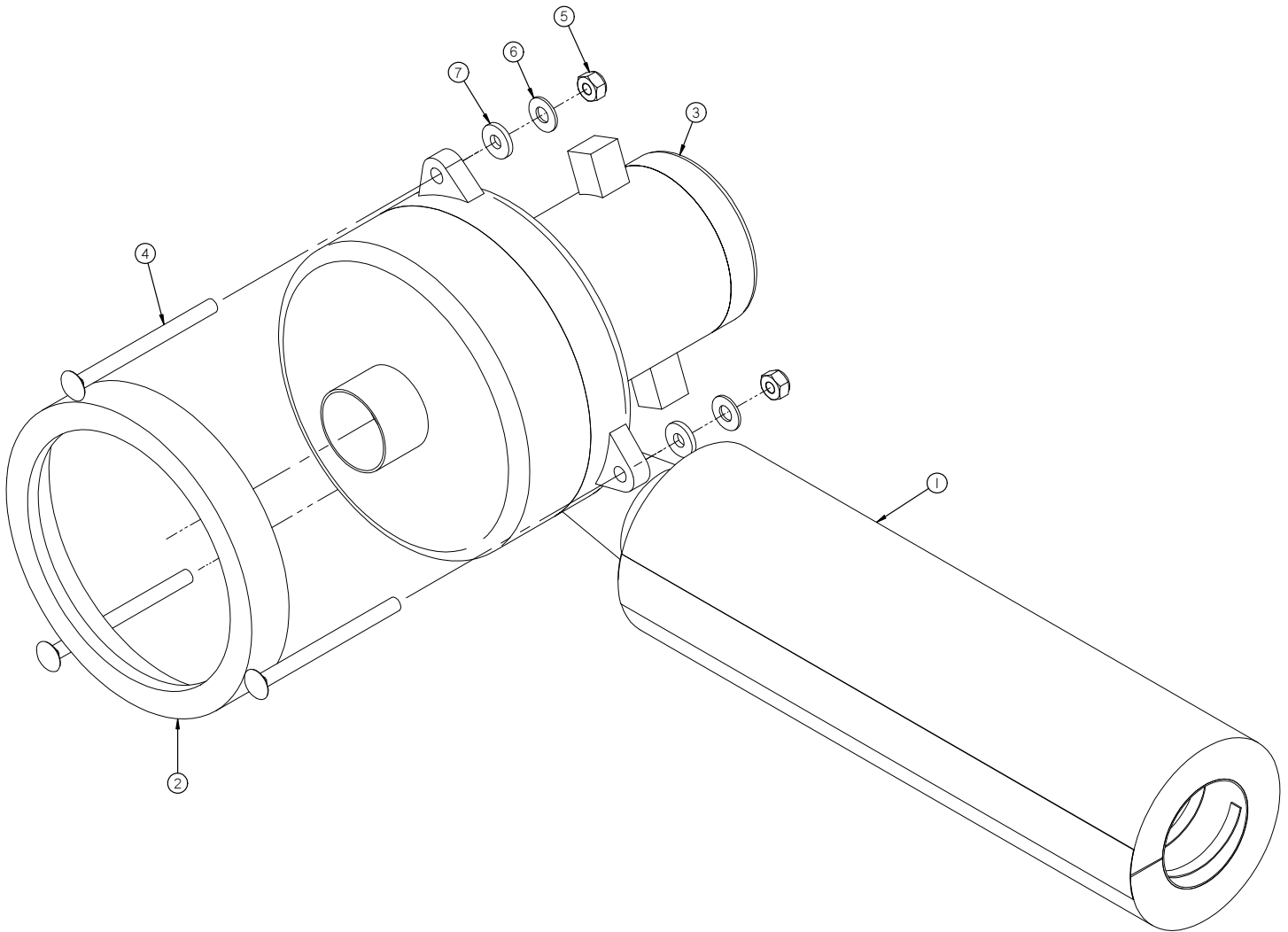


Item	Part No.	Part Description	Qty.
1	150-2830	SWITCH, TOGGLE, MOM/OFF/MOM (DPDT)	1
2	290-1247	BRONZE THRUST BEARING, .50" ID X 1.0" OD X 1/16" TH	2
3	290-234	KEY SWITCH (WITH KEY)	2
4	290-7050	INDEX PLUNGER	1
5	370-1245	BUSHING	2
6	370-7204	METER STICKER	1
7	370-8261	CHARGER COUNTER	1
8	370-8920	TOGGLE, ON-OFF SPST	1
9	4-352	BEARING	1
10	5-300	EMERGENCY SHUT OFF	1
11	500-3640	FLANGE, 1.75" ID	2
12	505-1501	HORN HEAD LIGHT AND E-STOP STICKER	1
13	8-262	HOUR METER	1
14	H-00282	FW 1/4" NYLON	4
15	H-11200	PROTECTIVE BOOT, TOGGLE SWITCH, (BLACK)	1
16	H-250HCN	HCN 1/4"-20	10
17	H-41007	AB4-3A BLIND RIVET	4
18	H-70861	NYLOK 5/16" - 18 SS	5
19	H-71015	FW 5/16 ID X 3/4 OD SS	2
20	H-71065	LW 5/16" SS	2
21	H-72681	FHP #10-32 X 3/8" SS	2
22	H-73754	BHSCS 1/4 - 20 X 3/4" SS	4
23	H-73780	BHSCS 5/16-18 X 1	2
24	H-74430	CB 5/16"- 18 X 1" SS	3
25	M-85985K28	HOLE PLUG 1-3/8"	1

Attaching Tank and Batteries

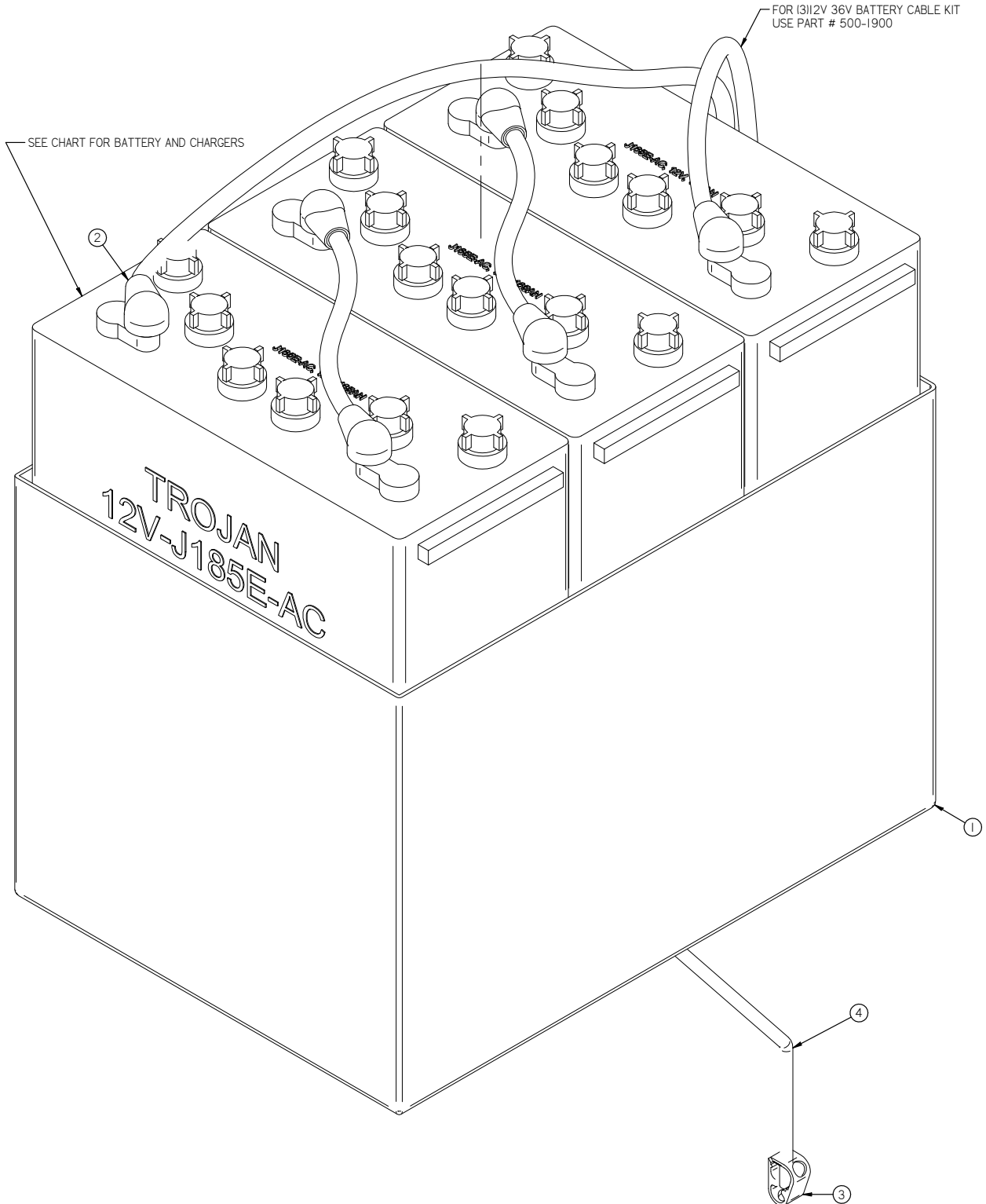


Item	Part No.	Part Description	Qty.	Item	Part No.	Part Description	Qty.
1	270-0001	36V. (3) 12V. BATTERY TRAY	1	11	H-71007	FW #8 SS	5
2	370-8920	TOGGLE, ON-OFF SPST	1	12	H-71013	FW 1/4 ID X 5/8 OD SS	9
3	4-260	CONNECTOR, GREY 50	1	13	H-71063	LW 1/4" SS	8
4	500-1220	4" SS HINGE	2	14	H-72418	PPH #8-32 X 1" S/S	2
5	H-0127288	3/8" LOOP CLAMP	1	15	H-73882	FHSCS 1/4- 20 X 3/4" S/S	2
6	H-11199	PROTECTIVE BOOT, TOGGLE SWITCH, (BLUE)	1	16	H-74418	CB 1/4"- 20 X 5/8" S/S	6
7	H-70003	HCS 1/4"-20 X 3/4" SS	8	17	H-74419	CB 1/4"- 20 X .75" SS	1
8	H-70856	NYLOK #8-32 SS	2	18	H-9307K74	GROMMET, 1" ID X 1-3/4" OD BUNA-N	2
9	H-70860	NYLOK 1/4"- 20 SS	10	19	T-031B1450	BATTERY DRAIN HOSE	1
10	H-70925	KN 1/4-20 S/S	1				



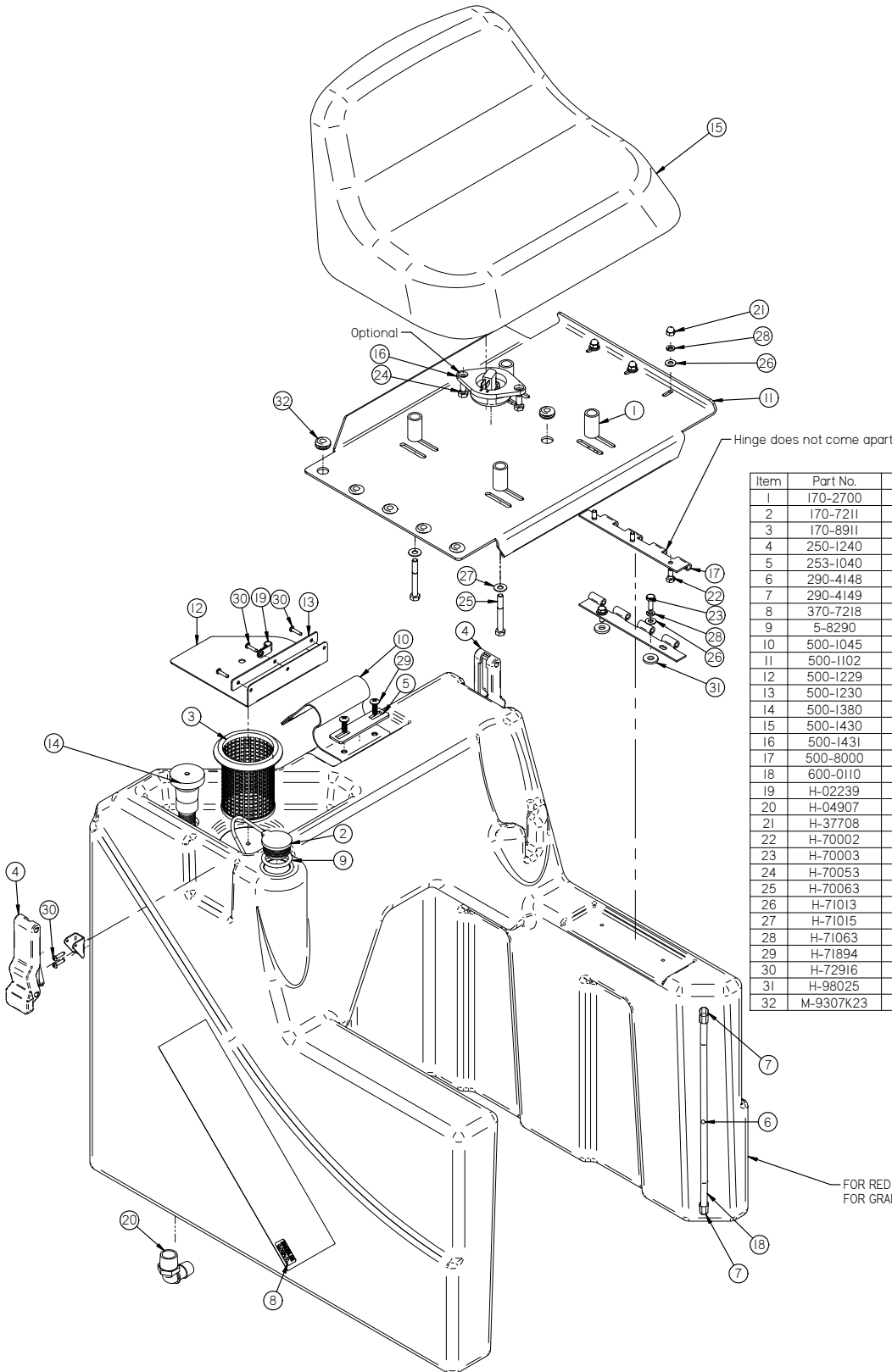
Item	Part No.	Part Description	Qty.
1	430-2502	VACUUM FAN MUFFLER	1
2	5-708A	VAC MOTOR GASKET	1
3	500-5250	36V VAC MOTOR, TANGENTIAL W/SNORKEL	1
4	H-0144267	CB 1/4"- 20 X 3-1/4" SS	3
5	H-70860	NYLOK 1/4"- 20 SS	3
6	H-71013	FW 1/4 ID X 5/8 OD SS	3
7	M-90130A029	.25" NEOPRENE WASHER	3

Batteries and Charger Options



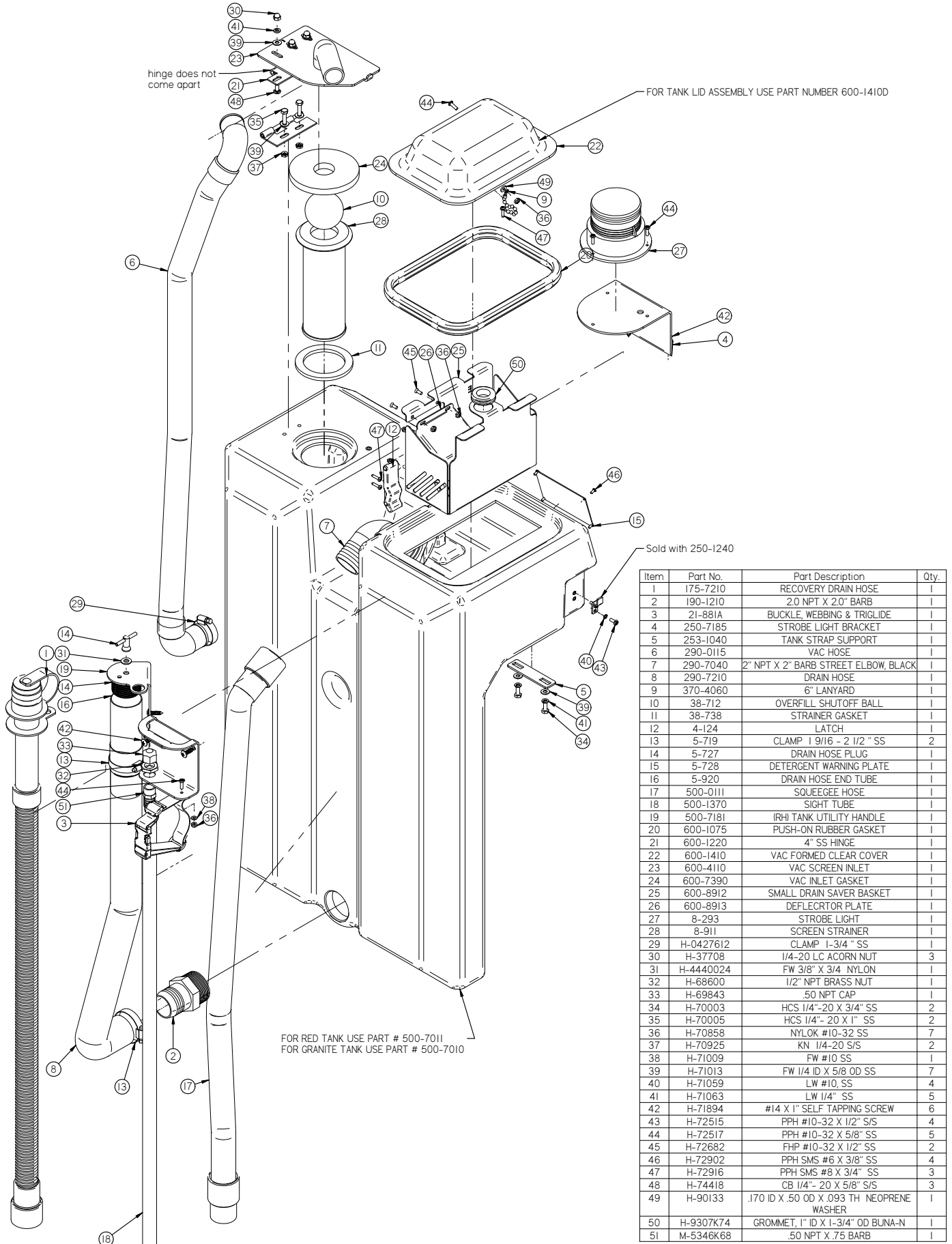
Item	Part No.	Part Description	Qty.
1	270-0001	36V. (3) 12V. BATTERY TRAY	1
2	H-40031	BATTERY BOOT	6
3	M-5031K12	CLAMP STYLE PINCH VALVE	1
4	T-031B1450	BATTERY DRAIN HOSE	1

WHICH BATTERY CHARGER TO USE WITH BATTERY SELECTION				
Battery Part Number & Description	Off-Board Charger North American	Off-Board Charger Export	On-Board Charger North American	On-Board Charger Export
STANDARD 253-2110 (12V, 175 AH) WET	250-2540	250-2447	250-2441	
OPTIONAL 270-2110 (12V, 225 AH) WET	250-2540	250-2447	250-2441	
OPTIONAL 253-2120 (12V 215 AH) AGM	250-2447	250-2447		

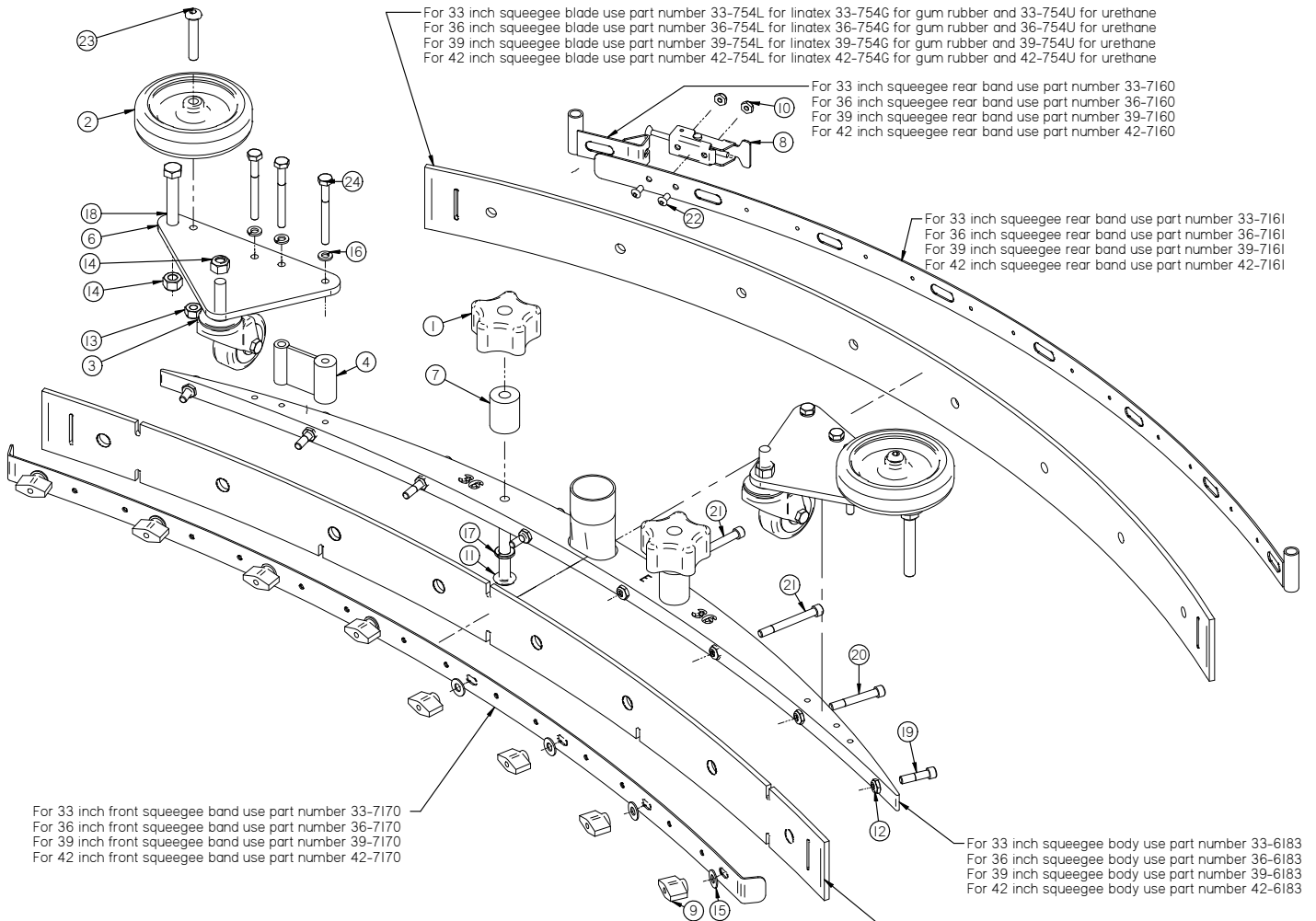


Item	Part No.	Part Description	Qty.
1	170-2700	SPACER, 1-1/2" LG	4
2	170-7211	HOSE CAP	1
3	170-8911	SCREEN STRAINER, 4-1/4" LG	1
4	250-1240	LATCH	2
5	253-1040	TANK STRAP SUPPORT	1
6	290-4148	7/32" POLYPROPYLENE BALL	1
7	290-4149	1/4" NPT X 1/4" BARB X 90 DEG	2
8	370-7218	USA STICKER	2
9	5-8290	O-RING, #324, 1.35" X 1.77" X .210" BUNA-N	1
10	500-1045	TANK STRAP, 22" LG X 4" WIDE	1
11	500-1102	BATTERY LID	1
12	500-1229	SPLASH CURTAIN	1
13	500-1230	CURTAIN BAND	1
14	500-1380	FILL HOSE	1
15	500-1430	SMALL SEAT	1
16	500-1431	SEAT SWITCH	1
17	500-8000	8" SS HINGE SHORT FLANGE	1
18	600-0110	sight tube	1
19	H-02239	3/8" VINYL LOOP CLAMP	1
20	H-04907	3/4" NPT TO 3/4" BARBED ELBOW	1
21	H-37708	1/4-20 LC ACORN NUT	3
22	H-70002	HCS 1/4"-20 X 5/8" SS	3
23	H-70003	HCS 1/4"-20 X 3/4" SS	2
24	H-70053	HCS 5/16"- 18 X 3/4" SS	2
25	H-70063	HCS 5/16"- 18 X 2-1/2" SS	4
26	H-71013	FW 1/4 ID X 5/8 OD SS	5
27	H-71015	FW 5/16 ID X 3/4 OD SS	4
28	H-71063	LW 1/4" SS	5
29	H-71894	#14 X 1" SELF TAPPING SCREW	2
30	H-72916	PPH SMS #8 X 3/4" SS	7
31	H-98025	FW 3/8" GRADE 8	2
32	M-9307K23	GROMMET .625 DIAMETER HOLE .125 THICK PANEL	6

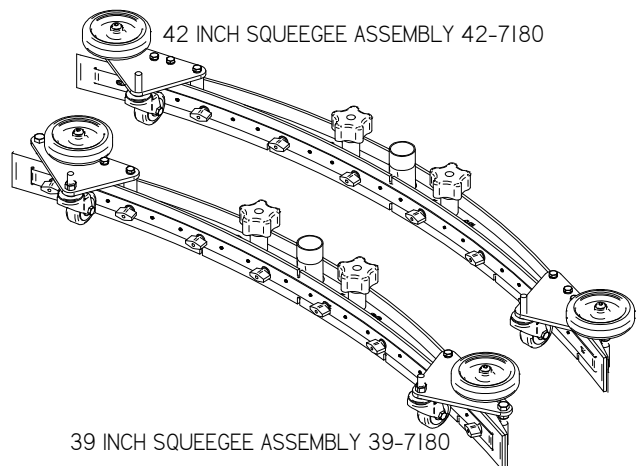
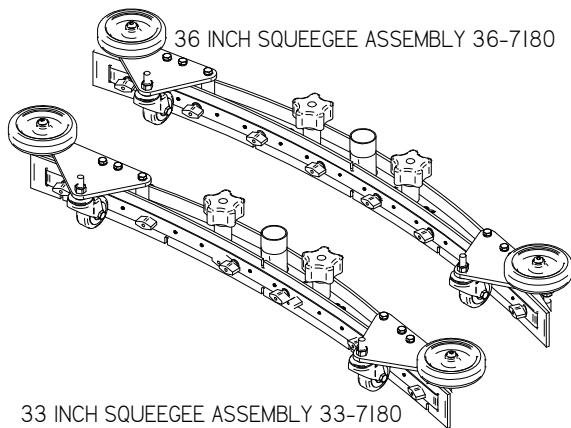
Recovery Tank



Item	Part No.	Part Description	Qty.
1	175-7210	RECOVERY DRAIN HOSE	1
2	190-1210	2.0 NPT X 2.0" BARB	1
3	21-881A	BUCKLE, WEBBING & TRIGLIDE	1
4	250-7185	STROBE LIGHT BRACKET	1
5	253-1040	TANK STRAP SUPPORT	1
6	290-0115	VAC HOSE	1
7	290-7040	2" NPT X 2" BARB STREET ELBOW, BLACK	1
8	290-7210	DRAIN HOSE	1
9	370-4060	6" LANYARD	1
10	38-712	OVERFILL SHUTOFF BALL	1
11	38-738	STRAINER GASKET	1
12	4-124	LATCH	1
13	5-719	CLAMP 1 9/16 - 2 1/2" SS	2
14	5-727	DRAIN HOSE PLUG	1
15	5-728	DETERGENT WARNING PLATE	1
16	5-920	DRAIN HOSE END TUBE	1
17	500-0111	SQUEEGEE HOSE	1
18	500-1370	SIGHT TUBE	1
19	500-7181	IRHI TANK UTILITY HANDLE	1
20	600-1075	PUSH-ON RUBBER GASKET	1
21	600-1220	4" SS HINGE	1
22	600-1410	VAC FORMED CLEAR COVER	1
23	600-4110	VAC SCREEN INLET	1
24	600-7390	VAC INLET GASKET	1
25	600-8912	SMALL DRAIN SAVER BASKET	1
26	600-8913	DEFLECTOR PLATE	1
27	8-293	STROBE LIGHT	1
28	8-911	SCREEN STRAINER	1
29	H-0427612	CLAMP 1-3/4" SS	1
30	H-37708	1/4-20 LC ACORN NUT	3
31	H-4440024	FW 3/8" X 3/4" NYLON	1
32	H-68600	1/2" NPT BRASS NUT	1
33	H-69843	.50 NPT CAP	1
34	H-70003	HCS 1/4"-20 X 3/4" SS	2
35	H-70005	HCS 1/4"-20 X 1" SS	2
36	H-70858	NYLOK #10-32 SS	7
37	H-70925	KN 1/4-20 S/S	2
38	H-71009	FW #10 SS	1
39	H-71013	FW 1/4 ID X 5/8 OD SS	7
40	H-71059	LW #10, SS	4
41	H-71063	LW 1/4" SS	5
42	H-71894	#14 X 1" SELF TAPPING SCREW	6
43	H-72515	PPH #10-32 X 1/2" S/S	4
44	H-72517	PPH #10-32 X 5/8" SS	5
45	H-72682	FHP #10-32 X 1/2" SS	2
46	H-72902	PPH SMS #6 X 3/8" SS	4
47	H-72916	PPH SMS #8 X 3/4" SS	3
48	H-74418	CB 1/4"-20 X 5/8" S/S	3
49	H-90133	.170 ID X .50 OD X .093 TH NEOPRENE WASHER	1
50	H-9307K74	GROMMET, 1" ID X 1-3/4" OD BUNA-N	1
51	M-5346K68	.50 NPT X .75 BARB	1



Item	Part No.	Part Description	Qty.	Item	Part No.	Part Description	Qty.
1	150-5786	STAR KNOB, 3/8-16 THREAD	2	13	H-70861	NYLOK 5/16" - 18 SS	2
2	150-7600	4" SIDE WHEEL (GREY)	2	14	H-70862	NYLOK 3/8"-16 SS	4
3	253-7570	CASTER	2	15	H-71013	FW 1/4 ID X 5/8 OD SS	8
4	36-0007	BAND BRACKET HOLDER	2	16	H-71063	LW 1/4" SS	6
5	36-2211	SPACER 1/2 OD X 5/32" LG X.25 ID	6	17	H-71067	LW 3/8" SS	2
6	36-7183	SQUEEGEE CASTER BRACKET	2	18	H-71191	HCS 3/8"- 16 X 3" SS	2
7	36-8460	STANDOFF, 1.5"	2	19	H-73462	SHCS 1/4-20 X 1.0 SS	2
8	370-0124	LATCH	1	20	H-73465	SHCS 1/4-20 X 1.75 SS	2
9	5-418A	CLAMPING KNOB	8	21	H-73467	SHCS 1/4-20 X 2.25 SS	4
10	H-0129155	JNYL #10-32, 18-8 S/S	2	22	H-73742	BHSCS 10-32 X 3/8" SS	2
11	H-0171299	BHSCS 3/8"- 16 X 3" SS	2	23	H-73783	BHSCS 5/16-18 X 1.75	2
12	H-37020	JNYL 1/4" - 20	8	24	H-77013	HCS 1/4"- 20 X 2.5" SS	6



Common Wear Parts

ROUND DISK BRUSHES:

NOTICE

The ## in Disk Column Denotes Desk Pad Size: 13" or 14"

BRUSHES	DISK	LEVEL
Super Grit	##-382SS	Very High
Tough Grit	##-382S	High
Midi Grit	##-382C	Medium
Light Grit	##-382PS	Moderate
Poly	##-382P	Light
Nylon	##-382N	Light
Tampico	##-382T	Light
Pad Driver	##-382D	
Diamond Driver	##-382DD	

ROUND DISK PADS:

NOTICE

The ## in Disk Column Denotes Desk Pad Size: 13" or 14"

DISK PADS	DISK	LEVEL	COLOR
Super Black	##-422BB	Very High	Black
Black	##-422B	High	Black
Brown	##-422BR	High	Brown
Green	##-422G	Medium	Green
Blue	##-422BL	Moderate	Blue
Red	##-422R	Moderate	Red
White	##-422W	Light	White

CYLINDRICAL BRUSHES:

BRUSHES	MODEL 25" CYLINDRICAL	LEVEL
Tough Grit	236-697S	High
Midi Grit	236-697C	Medium
Light Grit	236-697PS	Moderate
Nylon	236-697N	Light
Tampico	236-697T	Light

SQUEEGEE BLADE KITS & COMPLETE SQUEEGEE ASSEMBLIES:

SQUEEGEE SIZE	26" DISK DECKS	28" DISK DECKS	25" CYL. DECKS
36" Squeegee	Standard	Optional	Standard
39" Squeegee	Optional	Standard	Optional

SQUEEGEE SIZE	LINATEX BLADE KIT	GUM RUBBER BLADE KIT	URETHANE BLADE KIT	COMPLETE SQUEEGEE ASSEMBLIES
33" Squeegee	33-770L	33-770G	33-770U	33-7180
36" Squeegee	36-770L	36-770G	36-770U	36-7180
39" Squeegee	39-770L	39-770G	39-770U	39-7180
42" Squeegee	42-770L	42-770G	42-770U	42-7180

SQUEEGEE MATERIAL:	USED FOR:
LINATEX	Provides best wear and tear resistance. Not designed for use with harsh chemicals.
URETHANE	Provides best resistance when dealing with harsh chemicals, oils, fuels, etc.
GUM	Provides best drying performance on rough/grouted floor types by sealing over irregularities. Short life.

NOTICE

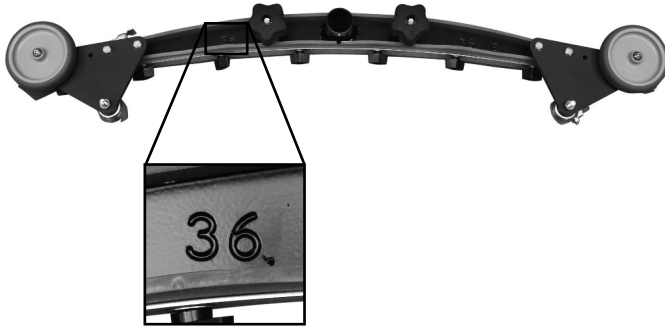
Squeegee blade kits include (1) Rear Blade, (1) Front Blade, and (2) Caster Wheels with hardware.

NOTICE

Squeegee Assemblies (complete) listed above all come with Linatex blades.

NOTICE

Size is stamped into the top of the painted steel squeegee body on all squeegee's.



BLANK

THIS PAGE WAS INTENTIONALLY LEFT BLANK

FACTORYCAT[®]

1711 South Street
Racine, WI 53404
www.factorycat.com
Tel. US: 800-634-4060
Tel. Int: (001) 262-681-3583