

# XLTI HT

Caratteristiche Tecniche

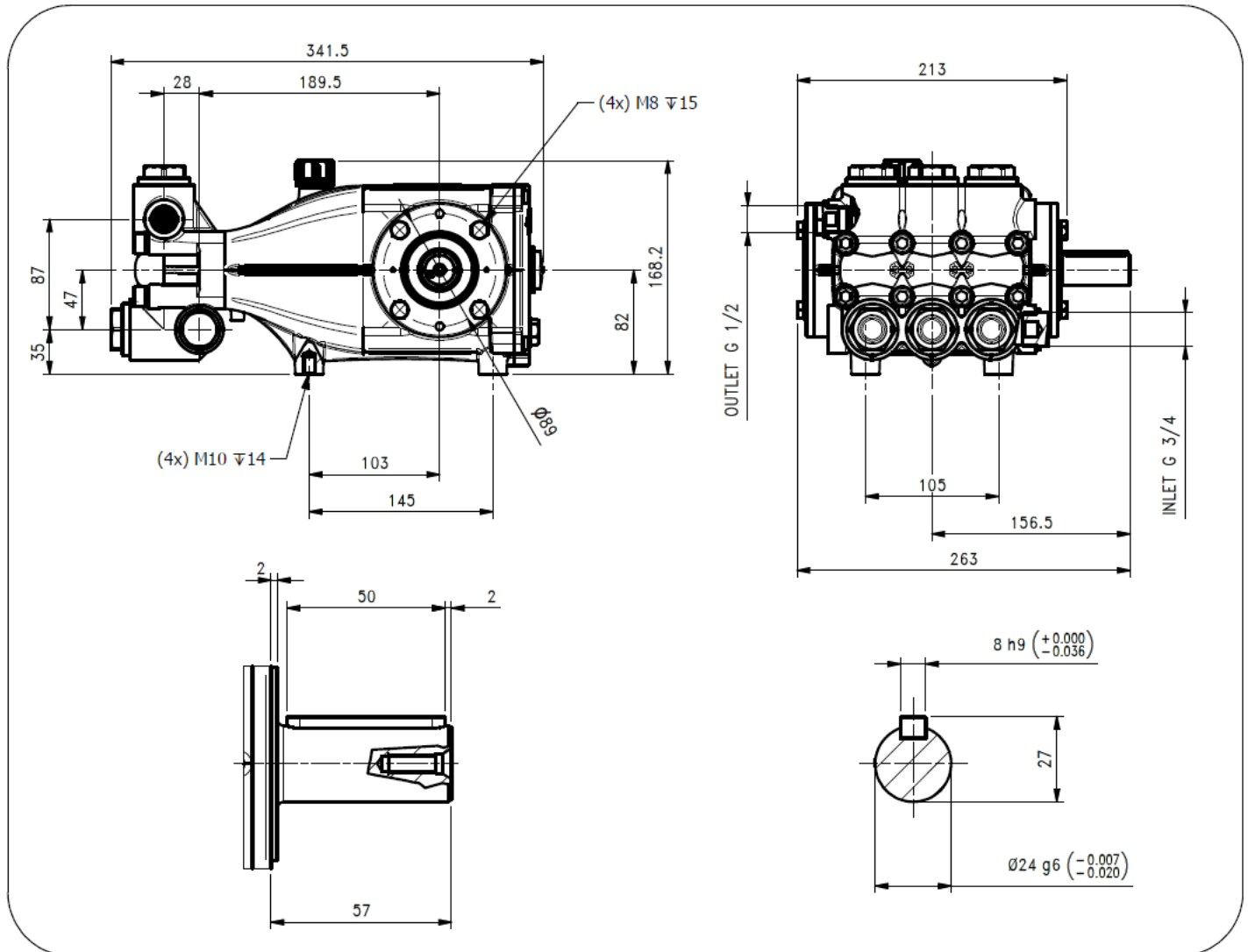
Albero maschio – Solid shaft

Technical Characteristics

| Pump<br>Pompa | Pressure<br>Pressione |      | Volume<br>Portata |       |       |       | RPM<br>giri/min |       | Power<br>Potenza |       |       |       |
|---------------|-----------------------|------|-------------------|-------|-------|-------|-----------------|-------|------------------|-------|-------|-------|
|               |                       |      | l/min             |       | GPM   |       |                 |       | HP               |       | kW    |       |
|               | bar                   | PSI  | 50 Hz             | 60 Hz | 50 Hz | 60 Hz | 50 Hz           | 60 Hz | 50 Hz            | 60 Hz | 50 Hz | 60 Hz |
| XLT1520HTI    | 200                   | 2900 | 15                | 18    | 4.0   | 4.7   | 1450            | 1740  | 7.9              | 9.4   | 5.8   | 6.9   |
| XLT1820HTI    | 200                   | 2900 | 18                | 22    | 4.8   | 5.8   | 1450            | 1740  | 9.4              | 11.3  | 6.9   | 8.3   |
| XLT2220HTI    | 200                   | 2900 | 22                | 26    | 5.8   | 7.0   | 1450            | 1740  | 11.6             | 13.9  | 8.5   | 10.2  |
| XLT2520HTI    | 200                   | 2900 | 25                | 30    | 6.6   | 7.9   | 1450            | 1740  | 13.1             | 15.7  | 9.6   | 11.5  |
| XLT2720HTI    | 200                   | 2900 | 27                | 32    | 7.1   | 8.5   | 1450            | 1740  | 13.7             | 16.4  | 10.1  | 12.1  |
| XLT3020HTI    | 200                   | 2900 | 30                | 36    | 7.9   | 9.5   | 1450            | 1740  | 15.3             | 18.4  | 11.3  | 13.6  |
| XLT3320HTI    | 200                   | 2900 | 33                | 40    | 8.7   | 10.4  | 1450            | 1740  | 16.9             | 20.3  | 12.5  | 15.0  |
| XLT4217HTI    | 170                   | 2465 | 42                | 50    | 11.2  | 13.4  | 1450            | 1740  | 18.5             | 22.2  | 13.6  | 16.3  |

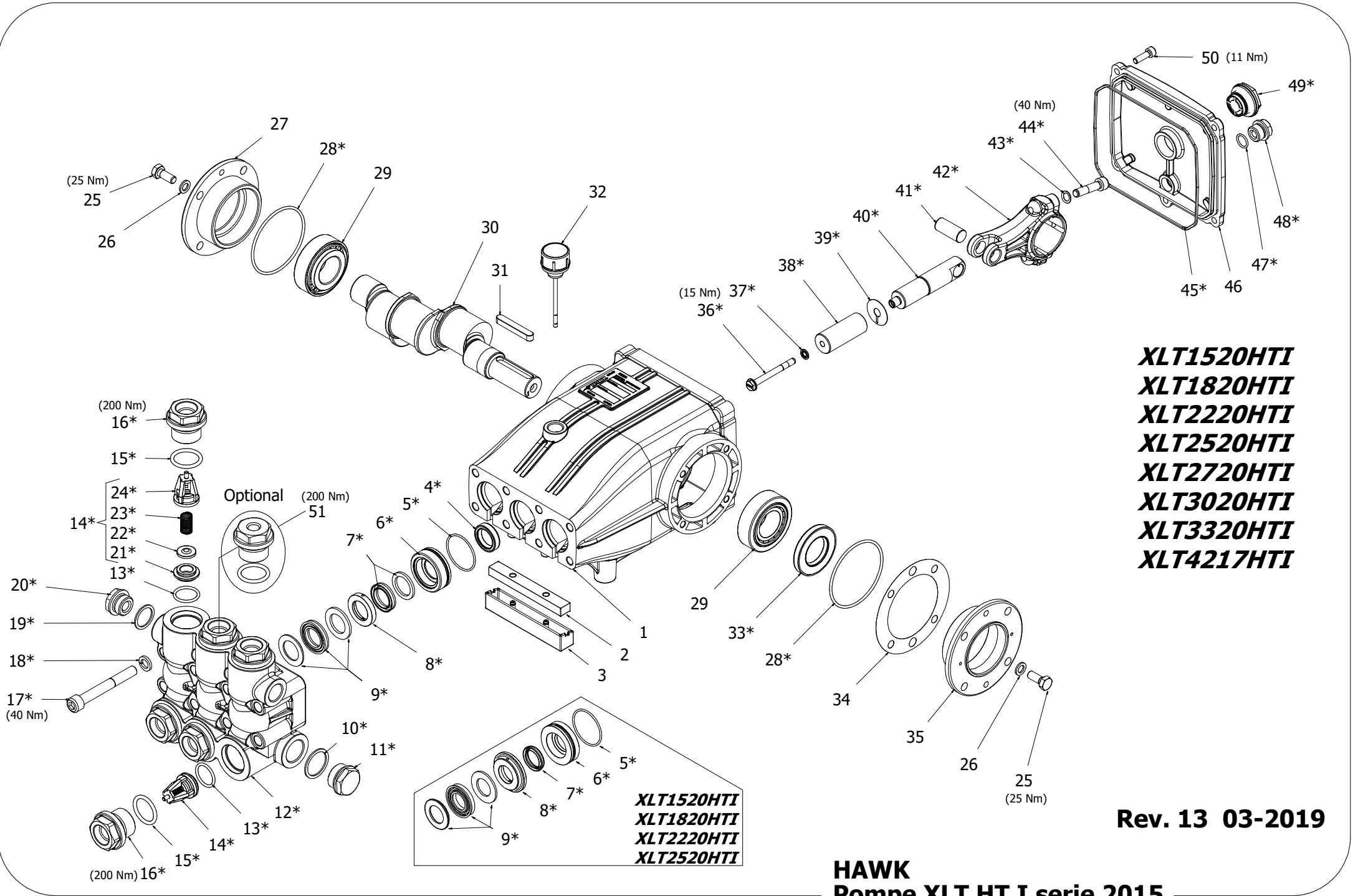
Dimensioni d'ingombro

Overall dimensions



Lubrificazione: Olio SAE 10W40  
 Capacità: 1.2 Litri  
 Peso pompa: 17.8 kg

Lubrication: SAE 10W40 Oil  
 Capacity: 1.2 Litres  
 Weight: 17.8 kg



- XLT1520HTI***
- XLT1820HTI***
- XLT2220HTI***
- XLT2520HTI***
- XLT2720HTI***
- XLT3020HTI***
- XLT3320HTI***
- XLT4217HTI***

***XLT1520HTI***  
***XLT1820HTI***  
***XLT2220HTI***  
***XLT2520HTI***

**Rev. 13 03-2019**

**HAWK**  
**Pompe XLT HT I serie 2015**  
**XLT HT I pumps 2015 series**

## XLT HT I 2015 SERIES

### ORDINARY MAINTENANCE KIT / KIT MANUTENZIONE ORDINARIA

| KIT | Item Pos.                       | Part Number Codice | Description              | Descrizione             | Q.TY by Pump<br>Q.TA per Pompa | XL T1520HTI | XL T1820HTI | XL T2220HTI | XL T2520HTI | XL T2720HTI | XL T3020HTI | XL T3320HTI | XL T4217HTI |
|-----|---------------------------------|--------------------|--------------------------|-------------------------|--------------------------------|-------------|-------------|-------------|-------------|-------------|-------------|-------------|-------------|
|     |                                 |                    |                          |                         |                                |             |             |             |             |             |             |             |             |
| A   | 5- 7- 9                         | 1.099-855.0        | PLUNGER SEALS DIA. 20 mm | GUARNIZIONI PISTONE Ø20 | 1                              | •           | •           | •           | •           |             |             |             |             |
|     | 5- 7- 9                         | 1.099-861.0        | PLUNGER SEALS DIA. 22 mm | GUARNIZIONI PISTONE Ø22 |                                |             |             |             |             |             | •           | •           | •           |
| B   | 13- 14 (21<br>22- 23- 24)<br>15 | 1.905-687.0        | COMPLETE VALVE           | VALVOLA COMPLETA        | 1                              | •           | •           | •           | •           | •           | •           | •           | •           |

### EXTRAORDINARY MAINTENANCE KIT / KIT MANUTENZIONE STRAORDINARIA

| KIT | Item Pos.  | Part Number Codice | Description                       | Descrizione                            | Q.TY by Pump<br>Q.TA per Pompa | XL T1520HTI | XL T1820HTI | XL T2220HTI | XL T2520HTI | XL T2720HTI | XL T3020HTI | XL T3320HTI | XL T4217HTI |
|-----|--|--------------------|-----------------------------------|--|--------------------------------|-------------|-------------|-------------|-------------|-------------|-------------|-------------|-------------|
|     |  |                    |                                   |  |                                |             |             |             |             |             |             |             |             |
| C   | 5- 6- 7- 8- 9  | 1.905-644.0        | COMPLETE SEALS PACKING DIA. 20 mm | PACCO COMPLETO GUARNIZIONI PISTONE Ø20 | 1                              | •           | •           | •           | •           |             |             |             |             |
|     |  | 1.905-855.0        | COMPLETE SEALS PACKING DIA. 22 mm | PACCO COMPLETO GUARNIZIONI PISTONE Ø22 |                                |             |             |             |             |             | •           | •           | •           |
| D   | 36- 37- 38<br>39   | 1.099-763.0        | PLUNGER DIA. 20 mm                | PISTONE Ø20                            | 3                              | •           | •           | •           | •           |             |             |             |             |
|     |  | 1.099-776.0        | PLUNGER DIA. 22 mm                | PISTONE Ø22                            |                                |             |             |             |             |             | •           | •           | •           |
| E   | 4  | 1.905-545.0        | PLUNGER OIL SEALS                 | ANELLI TENUTA OLIO ASTA                | 1                              | •           | •           | •           | •           | •           | •           | •           | •           |
| F   | 28- 33- 45<br>47- 48- 49   | 1.905-613.0        | KIT CRANKCASE SEALS               | KIT TENUTE CARTER                      | 1                              | •           | •           | •           | •           | •           | •           | •           | •           |
| G   | 5- 6- 7- 8 9-<br>10- 11- 12<br>13- 14 (21<br>22- 23- 24)<br>15- 16- 17<br>18- 19- 20 | 1.099-859.0        | COMPLETE MANIFOLD 20              | TESTATA COMPLETA Ø20                   | 1                              | •           | •           | •           | •           |             |             |             |             |
|     |  | 1.099-860.0        | COMPLETE MANIFOLD 22              | TESTATA COMPLETA Ø22                   |                                |             |             |             |             |             |             | •           | •           |
| H   | 40- 41- 42<br>43- 44   | 1.904-180.0        | CONNECTING ROD PLUNGER ROD ASSY   | PREMONTATO ASTA-BIELLA PISTONE         | 1                              | •           | •           | •           | •           |             |             |             |             |
|     |  | 1.904-182.0        | CONNECTING ROD PLUNGER ROD ASSY   | PREMONTATO ASTA-BIELLA PISTONE         |                                |             |             |             |             |             |             | •           | •           |
| I   | 15- 16   | 1.904-325.0        | VALVE PLUG ASSY                   | PREMONTATO TAPPO VAM                   | 1                              | •           | •           | •           | •           | •           | •           | •           | •           |

“Q.TY by Pump” => Necessary quantity to repair one pump  
 “Q.TA’ per Pompa” => Quantità necessaria per riparare una pompa

### OPTIONAL

| Item Pos. | Part Number Codice | Description              | Descrizione             | Q.TY by Pump Q.TA per Pompa | XLT1520HTI | XLT1820HTI | XLT2220HTI | XLT2520HTI | XLT2720HTI | XLT3020HTI | XLT3320HTI | XLT4217HTI |
|-----------|--------------------|--------------------------|-------------------------|-----------------------------|------------|------------|------------|------------|------------|------------|------------|------------|
| 51        | 9.853-427.0        | THREADED BRASS PLUG G1/4 | PREMONTATO TAPPO FORATO | 1                           | •          | •          | •          | •          | •          | •          | •          | •          |

### TOOL KIT

| Part Number Codice | Description                 | Descrizione             | Q.TY by Pump Q.TA per Pompa | XLT1520HTI | XLT1820HTI | XLT2220HTI | XLT2520HTI | XLT2720HTI | XLT3020HTI | XLT3320HTI | XLT4217HTI |
|--------------------|-----------------------------|-------------------------|-----------------------------|------------|------------|------------|------------|------------|------------|------------|------------|
| 1.099-665.0        | TOOL-KIT                    | TOOL-KIT                | 1                           | •          | •          | •          | •          | •          | •          | •          | •          |
| 1.905-659.0        | OIL SEAL EXTRACTOR TOOL-KIT | TOOL-KIT ESTR. PARAOLIO | 1                           | •          | •          | •          | •          | •          | •          | •          | •          |

### IMPORTANT

### IMPORTANTE

\* Part available ONLY in kit  
Disponibile SOLO in kit

(...) Parts pre-assembled  
Parti pre-assemblate

### PARTS LIST LISTA PARTI

| Item Pos | Part Number Codice | Description                      | Descrizione            | KIT   | Q.TY<br>Q.TA | XL1520HTI | XL1820HTI | XL2220HTI | XL2520HTI | XL2720HTI | XL3020HTI | XL3320HTI | XL4217HTI |   |
|----------|--------------------|----------------------------------|------------------------|-------|--------------|-----------|-----------|-----------|-----------|-----------|-----------|-----------|-----------|---|
|          |                    |                                  |                        |       |              |           |           |           |           |           |           |           |           |   |
| 1        | 9.850-377.0        | CRANKCASE                        | CARTER                 |       | 1            |           |           |           |           |           |           |           |           |   |
| 2        | 9.851-277.0        | POLYESTER FIBER SPONGE           | SPUGNA POLIESTERE      |       | 1            |           |           |           |           |           |           |           |           |   |
| 3        | 9.851-443.0        | DRAINAGE TANK                    | VASCETTA               |       | 1            | •         | •         | •         | •         | •         | •         | •         | •         |   |
| 4*       |                    | PLUNGER OIL SEAL                 | ANELLO RADIALE         | E     | 3            |           |           |           |           |           |           |           |           |   |
| 5*       |                    | "O" RING Ø1.78X37.82             | "O" RING Ø1.78X37.82   | A-C-G | 3            |           |           |           |           |           |           |           |           |   |
| 6*       |                    | PRESSURE RING 20MM               | PRESSORE "U" Ø20       | C-G   | 3            | •         | •         | •         | •         |           |           |           |           |   |
|          |                    | PRESSURE RING 22MM               | PRESSORE "U" Ø22       |       |              |           |           |           |           |           | •         | •         | •         | • |
| 7*       |                    | LOW PRESSURE "U" SEAL, DIA.20MM  | ANELLO TENUTA "U" Ø20  | A-C-G | 3            | •         | •         | •         | •         |           |           |           |           |   |
|          |                    | LOW PRESSURE "U" SEAL, DIA.22MM  | ANELLO TENUTA "U" Ø22  |       |              |           |           |           |           |           | •         | •         | •         | • |
| 8*       |                    | INTERMED. RING 20MM              | DIFFUSORE INTER. Ø20   | C-G   | 3            | •         | •         | •         | •         |           |           |           |           |   |
|          |                    | INTERMED. RING 22MM              | DIFFUSORE INTER. Ø22   |       |              |           |           |           |           |           | •         | •         | •         | • |
| 9*       |                    | HIGH PRESSURE "U" SEAL, DIA.20MM | ANELLO TENUTA "U" Ø20  | A-C-G | 3            | •         | •         | •         | •         |           |           |           |           |   |
|          |                    | HIGH PRESSURE "U" SEAL, DIA.22MM | ANELLO TENUTA "U" Ø22  |       |              |           |           |           |           |           | •         | •         | •         | • |
| 10*      |                    | COPPER WASHER G 3/4              | GUARNIZIONE RAME G 3/4 | G     | 1            |           |           |           |           |           |           |           |           |   |
| 11*      |                    | BRASS PLUG G 3/4                 | TAPPO G3/4             | G     | 1            |           |           |           |           |           |           |           |           |   |
| 12*      |                    | MANIFOLD HOUSING 22/20           | TESTATA Ø22/20         | G     | 1            |           |           |           |           |           |           |           |           |   |
| 13*      |                    | "O" RING Ø2.62X21.89             | "O" RING Ø2.62X21.89   | B-G   | 6            |           |           |           |           |           |           |           |           |   |
| 14*      |                    | VALVE ASSEMBLY                   | VALVOLA PREMONTATA     | B-G   | 6            |           |           |           |           |           |           |           |           |   |
| 15*      |                    | "O" RING Ø2.62X25.80             | "O" RING Ø2.62X25.80   | B-G   | 6            |           |           |           |           |           |           |           |           |   |
| 16*      |                    | VALVE PLUG                       | TAPPO VALVOLA          | G     | 6            |           |           |           |           |           |           |           |           |   |
| 17*      |                    | MANIFOLD STUD BOLT               | VITE M10X80 GEOMET     | G     | 8            |           |           |           |           |           |           |           |           |   |
| 18*      |                    | LOCK-WASHER                      | ROSETTA ELASTICA       | G     | 8            |           |           |           |           |           |           |           |           |   |
| 19*      |                    | COPPER WASHER G1/2               | GUARNIZIONE RAME G1/2  | G     | 1            | •         | •         | •         | •         | •         | •         | •         | •         |   |
| 20*      |                    | BRASS PLUG G1/2                  | TAPPO G1/2             | G     | 1            |           |           |           |           |           |           |           |           |   |
| 21*      |                    | VALVE SEAT                       | SEDE VALVOLA           | B-G   | 6            |           |           |           |           |           |           |           |           |   |
| 22*      |                    | VALVE PLATE                      | PIATTELLO VALVOLA      | B-G   | 6            |           |           |           |           |           |           |           |           |   |
| 23*      |                    | VALVE SPRING                     | MOLLA VALVOLA          | B-G   | 6            |           |           |           |           |           |           |           |           |   |
| 24*      |                    | VALVE CAGE                       | GABBIA VALVOLA         | B-G   | 6            |           |           |           |           |           |           |           |           |   |
| 25       | 9.851-503.0        | HEXAGONAL SCREW                  | VITE M8X20             |       | 8            |           |           |           |           |           |           |           |           |   |
| 26       | 9.851-114.0        | WASHER DIA. 8.5                  | ROSETTA Ø8.5           |       | 8            |           |           |           |           |           |           |           |           |   |
| 27       | 9.850-620.0        | CLOSED BEARING HOUSING           | FLANGIA CHIUSA         |       | 1            |           |           |           |           |           |           |           |           |   |
| 28*      |                    | "O" RING Ø2.62X71.12             | "O" RING Ø2.62X71.12   | F     | 2            |           |           |           |           |           |           |           |           |   |
| 29       | 9.850-347.0        | ROLLER BEARING                   | CUSCINETTO A RULLI     |       | 2            |           |           |           |           |           |           |           |           |   |
| 30       | 9.850-191.0        | CRANKSHAFT DIA. 24 MM            | ALBERO Ø24             |       | 1            |           |           |           |           |           |           |           | •         |   |
|          | 9.850-192.0        | " " " "                          | " "                    |       |              |           |           | •         |           | •         |           |           |           |   |
|          | 9.850-193.0        | " " " "                          | " "                    |       |              |           |           |           |           | •         |           | •         |           |   |
|          | 9.850-194.0        | " " " "                          | " "                    |       |              |           | •         |           |           |           |           |           |           |   |
|          | 9.850-195.0        | " " " "                          | " "                    |       |              |           |           |           |           |           |           |           |           | • |
|          | 9.850-222.0        | " " " "                          | " "                    |       |              |           | •         |           |           |           |           |           |           |   |

| Item Pos | Part Number Codice | Description           | Descrizione           | KIT | Q.T Y Q.T A | XL T1520HTI | XL T1820HTI | XL T2220HTI | XL T2520HTI | XL T2720HTI | XL T3020HTI | XL T3320HTI | XL T4217HTI |
|----------|--------------------|-----------------------|-----------------------|-----|-------------|-------------|-------------|-------------|-------------|-------------|-------------|-------------|-------------|
|          |                    |                       |                       |     |             |             |             |             |             |             |             |             |             |
| 31       | 9.850-447.0        | CRANKSHAFT KET        | CHIAVETTA             |     | 1           |             |             |             |             |             |             |             |             |
| 32       | 9.851-287.0        | OIL DIP STICK         | TAPPO LIVELLO OLIO    |     | 1           |             |             |             |             |             |             |             |             |
| 33*      |                    | CRANKSHAFT SEAL       | ANELLO RADIALE        | F   | 1           |             |             |             |             |             |             |             |             |
| 34       | 9.850-546.0        | SHIM                  | DISTANZIALE           |     | 1           | •           | •           | •           | •           | •           | •           | •           | •           |
| 35       | 9.850-610.0        | BEARING HOUSING       | FLANGIA APERTA        |     | 1           |             |             |             |             |             |             |             |             |
| 36*      |                    | PLUNGER BOLT          | VITE PISTONE          | D   | 3           |             |             |             |             |             |             |             |             |
| 37*      |                    | COPPER SPACER         | ROSETTA RAME          | D   | 3           |             |             |             |             |             |             |             |             |
| 38*      |                    | PLUNGER DIA. 20 MM    | PISTONE Ø20           | D   | 3           | •           | •           | •           | •           |             |             |             |             |
|          |                    | PLUNGER DIA. 22 MM    | PISTONE Ø22           | D   |             |             |             |             |             | •           | •           | •           | •           |
| 39*      |                    | COPPER SPACER         | ROSETTA RAME          | D   | 3           | •           | •           | •           | •           | •           | •           | •           | •           |
| 40*      |                    | PLUNGER ROD           | ASTA PISTONE          | H   | 3           | •           | •           | •           | •           |             |             |             |             |
|          |                    | PLUNGER ROD           | ASTA PISTONE          | H   |             |             |             |             |             | •           | •           | •           | •           |
| 41*      |                    | CONNECTING ROD PIN    | SPINOTTO              | H   | 3           |             |             |             |             |             |             |             |             |
| 42*      |                    | CONNECTING ROD        | BIELLA                | H   | 3           |             |             |             |             |             |             |             |             |
| 43*      |                    | SPRING WASHER         | ROSETTA ELASTICA Ø8   | H   | 6           |             |             |             |             |             |             |             |             |
| 44*      |                    | CONNECTING ROD SCREW  | VITE BIELLA           | H   | 6           |             |             |             |             |             |             |             |             |
| 45*      |                    | "O" RING Ø2.62X152.07 | "O" RING Ø2.62X152.07 | F   | 1           | •           | •           | •           | •           | •           | •           | •           | •           |
| 46       | 9.850-389.0        | CRANKCASE COVER       | COPERCHIO             |     | 1           |             |             |             |             |             |             |             |             |
| 47*      |                    | "O" RING Ø1.78X14.00  | "O" RING Ø1.78X14.00  | F   | 1           |             |             |             |             |             |             |             |             |
| 48*      |                    | BRASS PLUG G 3/8      | TAPPO OTTONE G 3/8    | F   | 1           |             |             |             |             |             |             |             |             |
| 49*      |                    | SIGHT GLASS, G 3/4    | SPIA LIVELLO OLIO     | F   | 1           |             |             |             |             |             |             |             |             |
| 50       | 9.851-474.0        | COVER SCREW           | VITE COPERCHIO        |     | 5           |             |             |             |             |             |             |             |             |