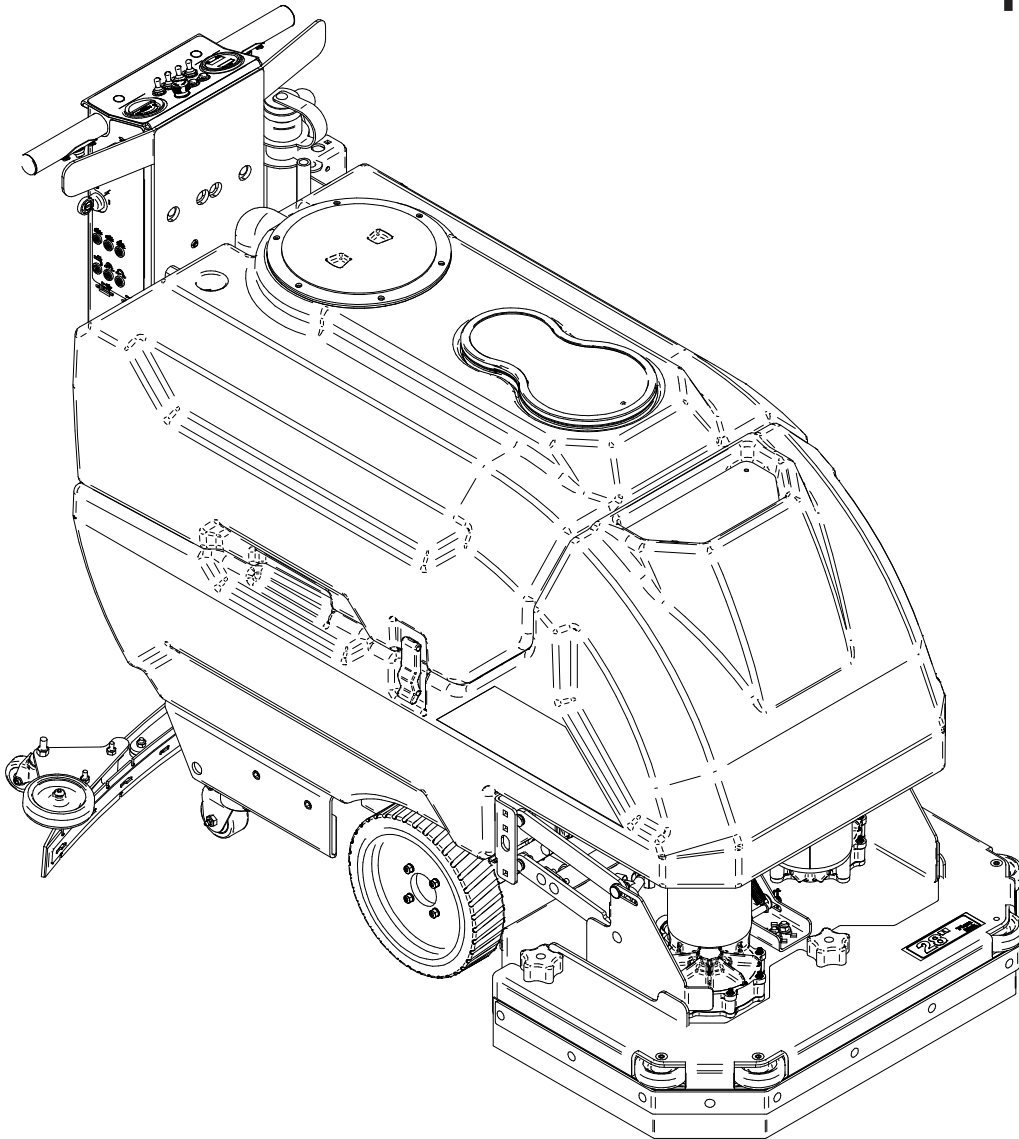




Parts Manual (EN)

Models:

28" & 32" Disk
26" & 30" Cylindrical
24" & 28" Orbital



Read the Operators Manual
before using the machine.

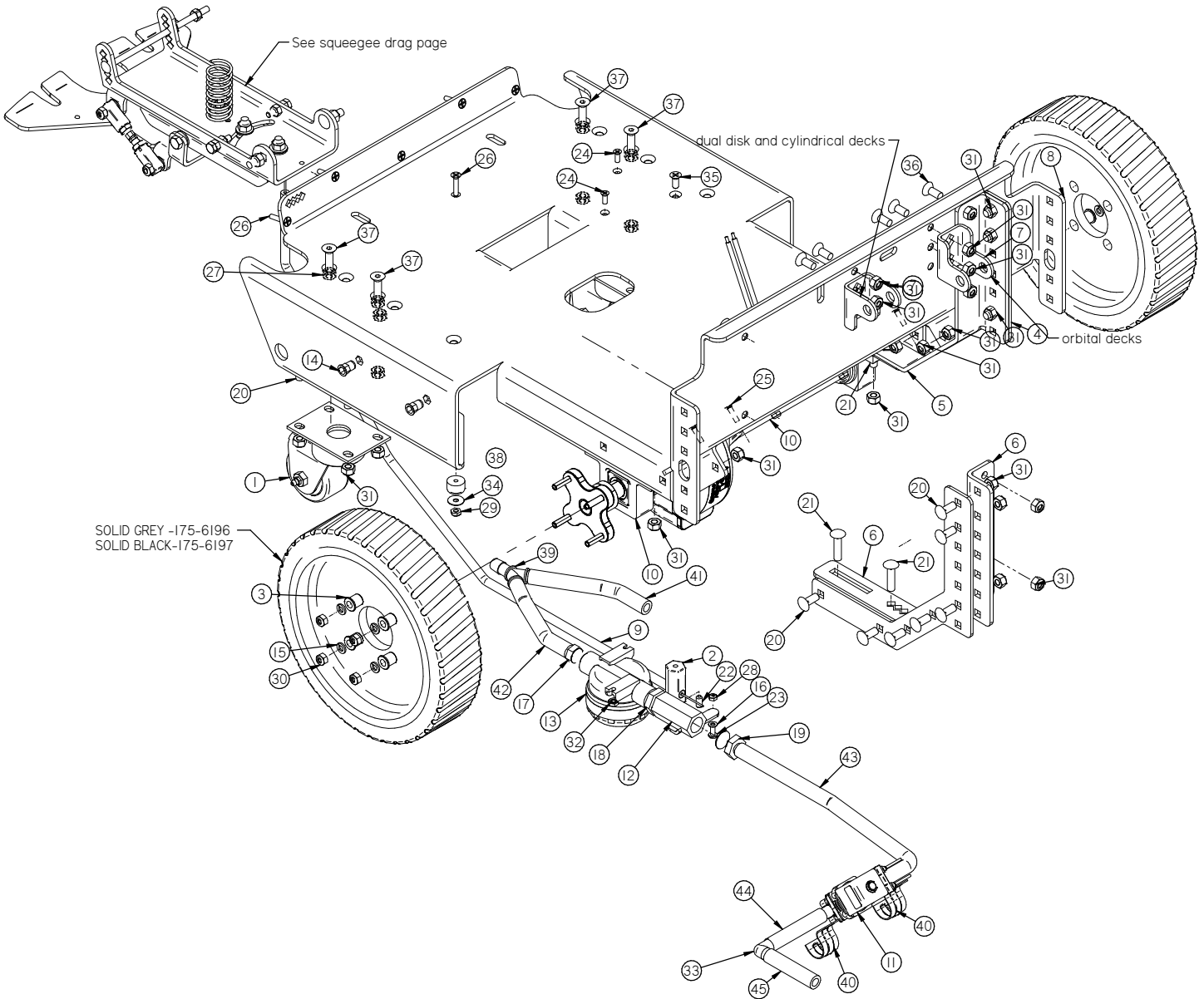


Read the Safety Messages
before servicing machine.

CONTENTS

Frame	3
Squeegee Trail Arm	4
28 Inch Disk Scrub Deck	5
32 Inch Disk Scrub Deck	6
26 And 28 Inch Disk Shroud	7
Orbital Lift Arm	8
24 Inch Orbital Deck	9
28 Inch Orbital Deck	10
26 Inch cylindrical Deck	11
30 Inch cylindrical Deck	12
Cylindrical Door	13
Solution Tank Assembly	14
Recovery Tank Assembly	15
Squeegee Lift Bracket	16
Central Command	17
Battery Pack And Chargers.	18
Options	19
Squeegees.	20

FRAME

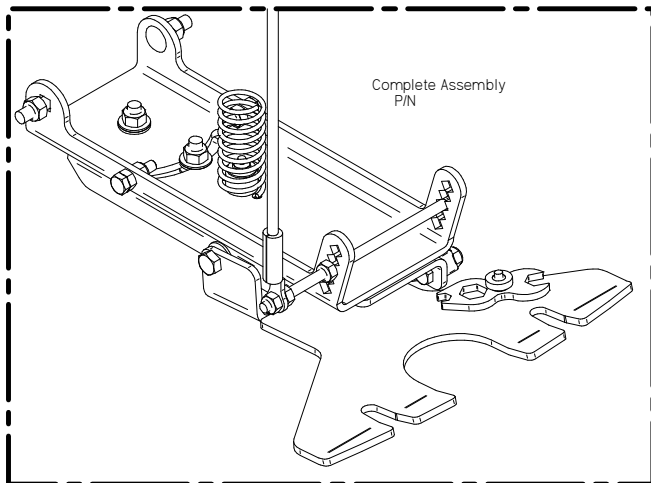
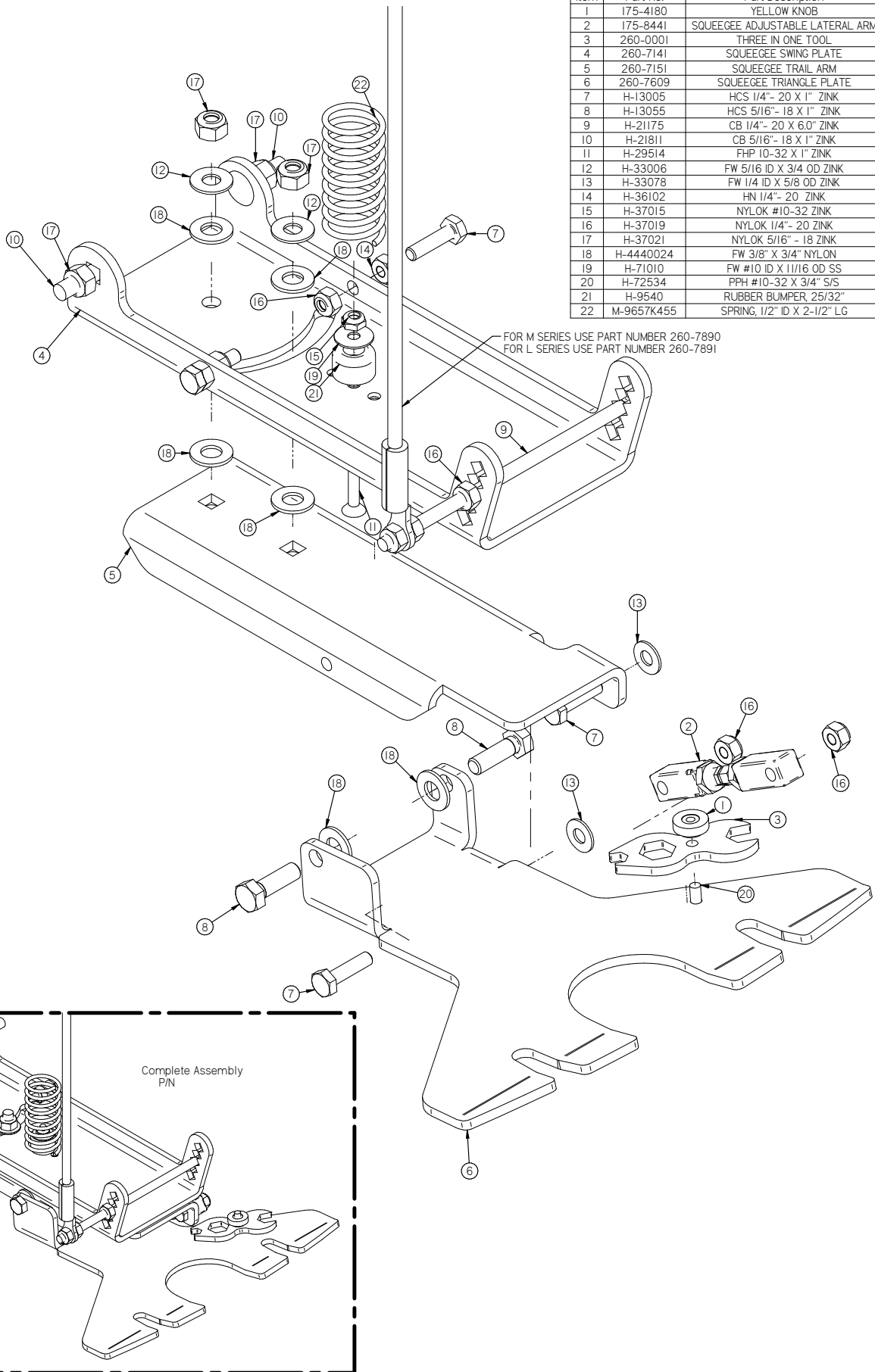


SOLID GREY -175-6196
SOLID BLACK-175-6197

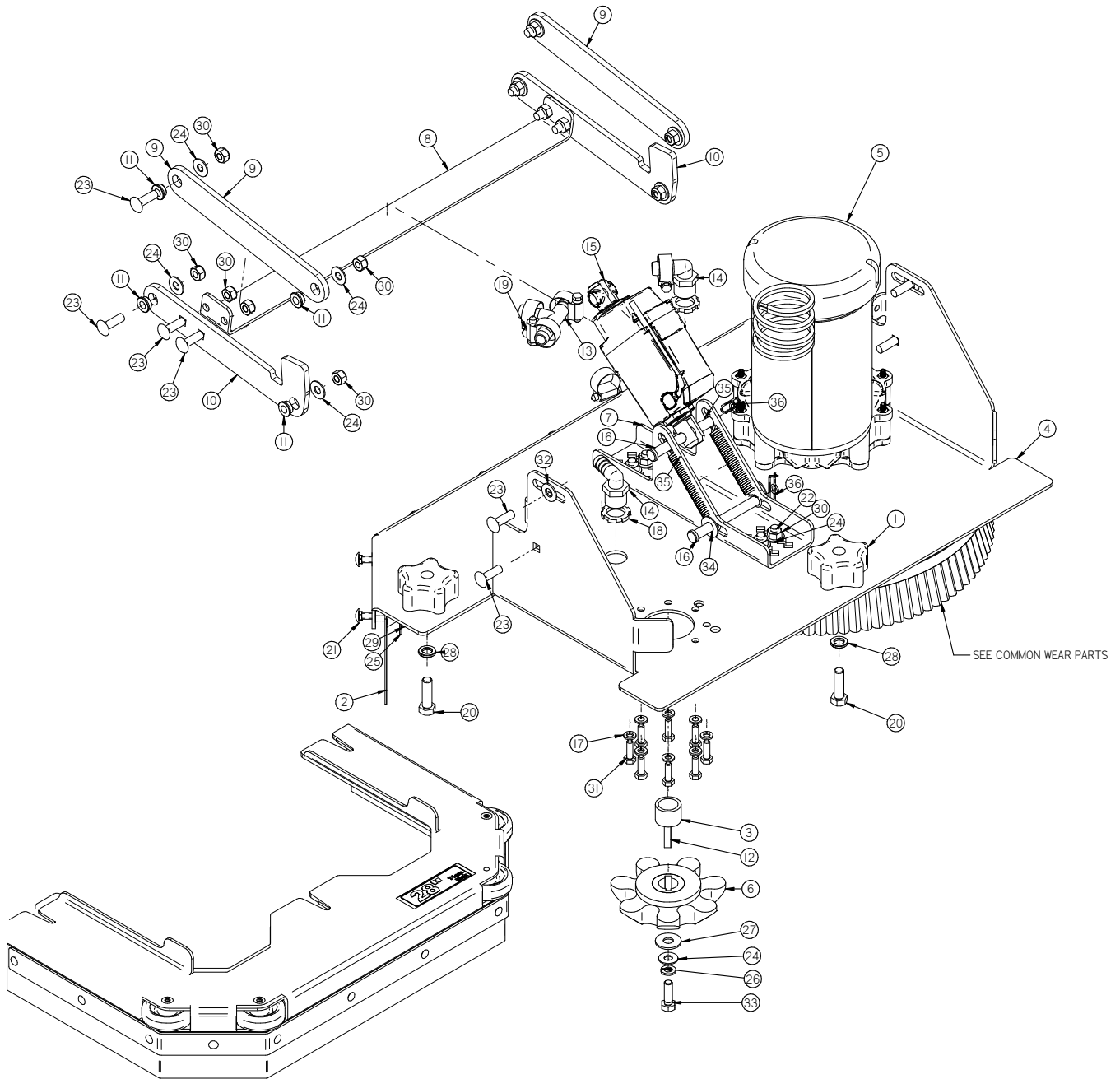
Item	Part No.	Part Description	Qty.	Item	Part No.	Part Description	Qty.
1	150-3030	CASTER	2	24	H-29506	FHP #10-32 X 1/2" ZINK	4
2	150-9131	CABLE GUIDE	1	25	H-29510	FHP 10-32 X 3/4" ZINK	3
3	253-1245	BUSHING	8	26	H-29514	FHP 10-32 X 1" ZINK	6
4	260-1003	FRAME BRACE	2	27	H-36104	HN 5/16"- 18 ZINK	8
5	260-1004	LEFT 36V FRAME BRACKET	1	28	H-37010	NYLOK #6-32 SS	1
6	260-1005	RIGHT 36V FRAME BRACKET	1	29	H-37015	NYLOK #10-32 ZINK	3
7	260-1006	LIFTING BRACKET	2	30	H-37019	NYLOK 1/4" - 20 ZINK	12
8	260-1100	FRAME BASE (36V)	1	31	H-37021	NYLOK 5/16" - 18 ZINK	40
9	260-2015	PUSH PULL CABLE	1	32	H-37408	KN #10-32 ZINK	2
10	260-3010D	36V TRANSAXLE	1	33	H-54635	1/2 X 1/2 X 90 BARBED ELBOW, NYLON	1
11	260-7500	36V VALVE	1	34	H-71010	FW #10 ID X 11/16 OD SS	1
12	290-4158	1/2" NPT BALL VALVE	1	35	H-94223	FHP 1/4"- 20 X 5/8" ZINK	1
13	370-9130	INLINE FILTER	1	36	H-94254	FHSCS 5/16"- 18 X 3/4" ZINK	8
14	H-00918	HCN 1/4"-20 LG	4	37	H-94267	FHSCS 5/16"- 18 X 5.0" ZINK	8
15	H-0157797	LW 1/4" ZINK	8	38	H-9540	RUBBER BUMPER, 25/32"	2
16	H-0159717	FW #6 ZINK	1	39	M-5463K727	WYE, 1/2", NYLON	1
17	H-04763	.375 NPT X .50 BARB	1	40	M-9434T22	1.0 DIA One Hole Tube Clamp	2
18	H-04763	.375 NPT X .50 BARB	1	41	T-050C6000	BULK 1/2" ID X 5' CLEAR SOLUTION HOSE	1
19	H-04788	.50 NPT X .50 BARB	1	42	T-050C6000	BULK 1/2" ID X 5' CLEAR SOLUTION HOSE	1
20	H-21810	CB 5/16"- 18 X 3/4" ZINK	20	43	T-050C6000	BULK 1/2" ID X 5' CLEAR SOLUTION HOSE	1
21	H-21812	CB 5/16"- 18 X 1-1/4" ZINK	4	44	T-050C6000	BULK 1/2" ID X 5' CLEAR SOLUTION HOSE	1
22	H-25382	SETSCREW, KCP, 1/4"-20 X 1/2"	1	45	T-050C6000	BULK 1/2" ID X 5' CLEAR SOLUTION HOSE	1
23	H-28804	PPH #6-32 X 1/2" ZINK	1				

SQUEEGEE TRAIL ARM

Item	Part No.	Part Description	Qty.
1	175-4180	YELLOW KNOB	1
2	175-8441	SQUEEGEE ADJUSTABLE LATERAL ARM	1
3	260-0001	THREE IN ONE TOOL	1
4	260-7141	SQUEEGEE SWING PLATE	1
5	260-7151	SQUEEGEE TRAIL ARM	1
6	260-7609	SQUEEGEE TRIANGLE PLATE	1
7	H-13005	HCS 1/4"- 20 X 1" ZINK	4
8	H-13055	HCS 5/16"- 18 X 1" ZINK	2
9	H-21175	CB 1/4"- 20 X 6.0" ZINK	1
10	H-21811	CB 5/16"- 18 X 1" ZINK	4
11	H-29514	FHP 10-32 X 1" ZINK	1
12	H-33006	FW 5/16 ID X 3/4 OD ZINK	2
13	H-33078	FW 1/4 ID X 5/8 OD ZINK	2
14	H-36102	HN 1/4"- 20 ZINK	2
15	H-37015	NYLOK #10-32 ZINK	1
16	H-37019	NYLOK 1/4"- 20 ZINK	7
17	H-37021	NYLOK 5/16" - 18 ZINK	6
18	H-4440024	FW 3/8" X 3/4" NYLON	6
19	H-71010	FW #10 ID X 1 1/16 OD SS	1
20	H-72534	PPH #10-32 X 3/4" S/S	1
21	H-9540	RUBBER BUMPER, 25/32"	1
22	M-9657K455	SPRING, 1/2" ID X 2-1/2" LG	1

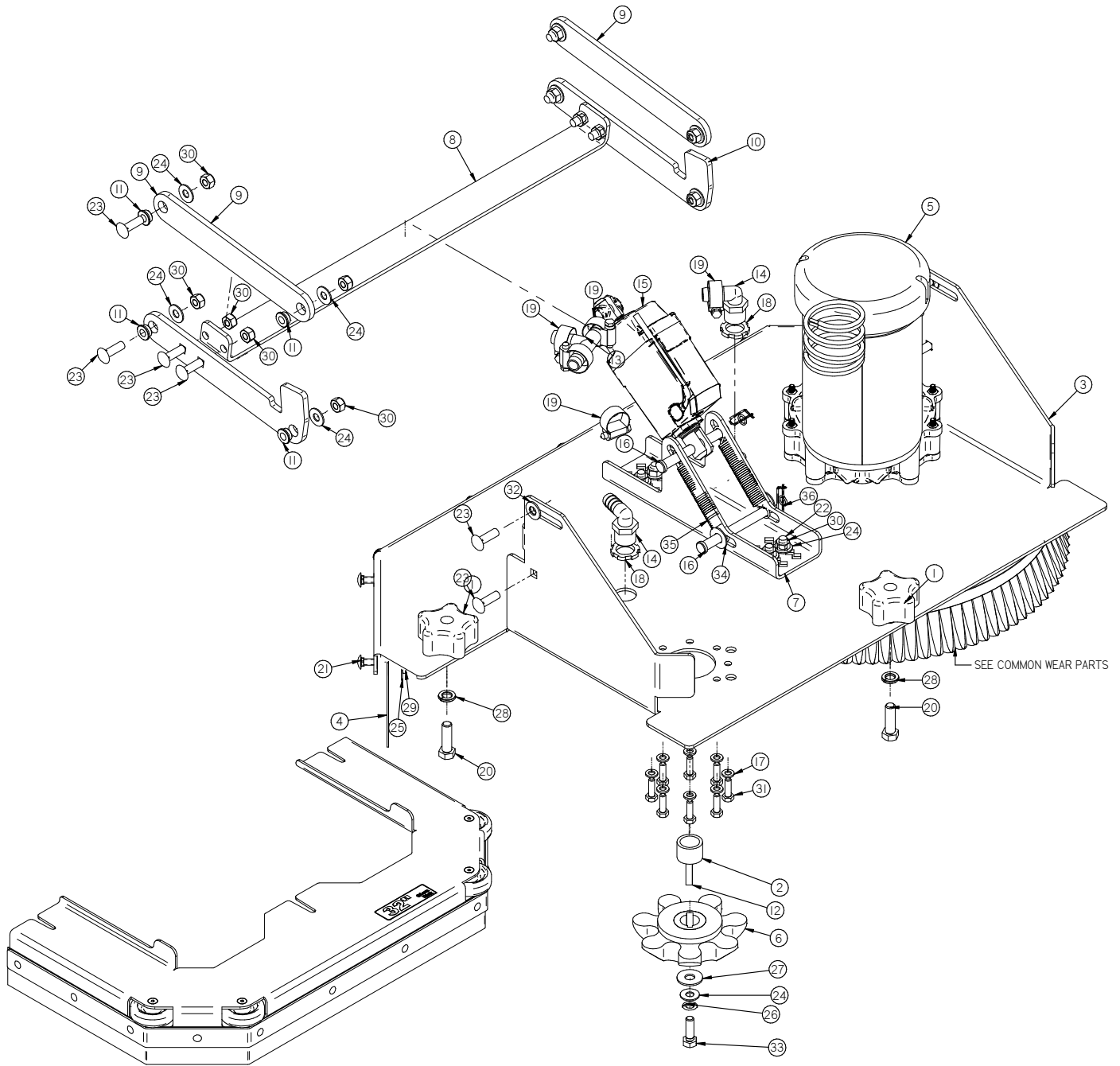


28 INCH DISK SCRUB DECK



Item	Part No.	Part Description	Qty.	Item	Part No.	Part Description	Qty.
1	150-5786	STAR KNOB, 3/8-16 THREAD	3	19	H-081	CLAMP 1.0"- 1-1/8" SS	5
2	175-1077	28" REAR DECK CURTAIN	1	20	H-13107	HCS 3/8"- 16 X 1-1/4" ZINK	3
3	175-5005	DRIVER SPACER	2	21	H-21795	CB 1/4"- 20 X .5" ZINK	9
4	260-0503	28" (24V) DISK DECK	1	22	H-21810	CB 5/16"- 18 X 3/4" ZINK	4
5	260-2112	MOTOR, 36V, 3/4 HP, 270 RPM	2	23	H-21811	CB 5/16"- 18 X 1" ZINK	12
6	260-5000	BRUSH DRIVER RED HARD COAT [L7-LOBE_]	2	24	H-33006	FW 5/16 ID X 3/4 OD ZINK	14
7	260-9003	DISK LIFTING BRACKET (26 AND 28)	1	25	H-33207	FNW 1/4 ID X 1.0 OD ZINK	9
8	260-9580	LIFT ARM CROSS BAR 24V 28" DISK	1	26	H-33620	LW 5/16" ZINK	2
9	260-9585	UPPER LATERAL ARM, DISK	2	27	H-33622	FW 3/8" ZINK NOM ID .4375 X OD 1.0	2
10	260-9586	LATERAL ARM, DISK	2	28	H-33622	LW 3/8" ZINK	3
11	370-1247	BUSHING 5/16 X 1/2 X 3/16	8	29	H-37020	JNYL 1/4" - 20 ZINK	9
12	5-431	1/4" X 1" KEY	2	30	H-37021	NYLON 5/16" - 18 ZINK	16
13	5-446	1/2" PLASTIC BARB TEE	1	31	H-38564	M6 METRIC BOLT	16
14	5-447	1/2 NPT X 1/2" BARB ELBOW	2	32	H-4440024	FW 3/8" X 3/4 NYLON	2
15	650-2240	2 INCH STROKE ACTUATOR [L36V_]	1	33	H-70055	HCS 5/16"- 18 X 1" SS	2
16	H-0156758	3/8" X 3-1/2" CLEVIS PIN	2	34	H-71017	FW 3/8 ID X 7/8 OD SS	2
17	H-0157797	LW 1/4" ZINK	16	35	H-96544	SPRING, 4-1/8" LG X 9/16" OD (42E)	2
18	H-07005	1/2" NPT LOCKNUT	4	36	H-RUE14	3/8" RUE RING COTTER	2

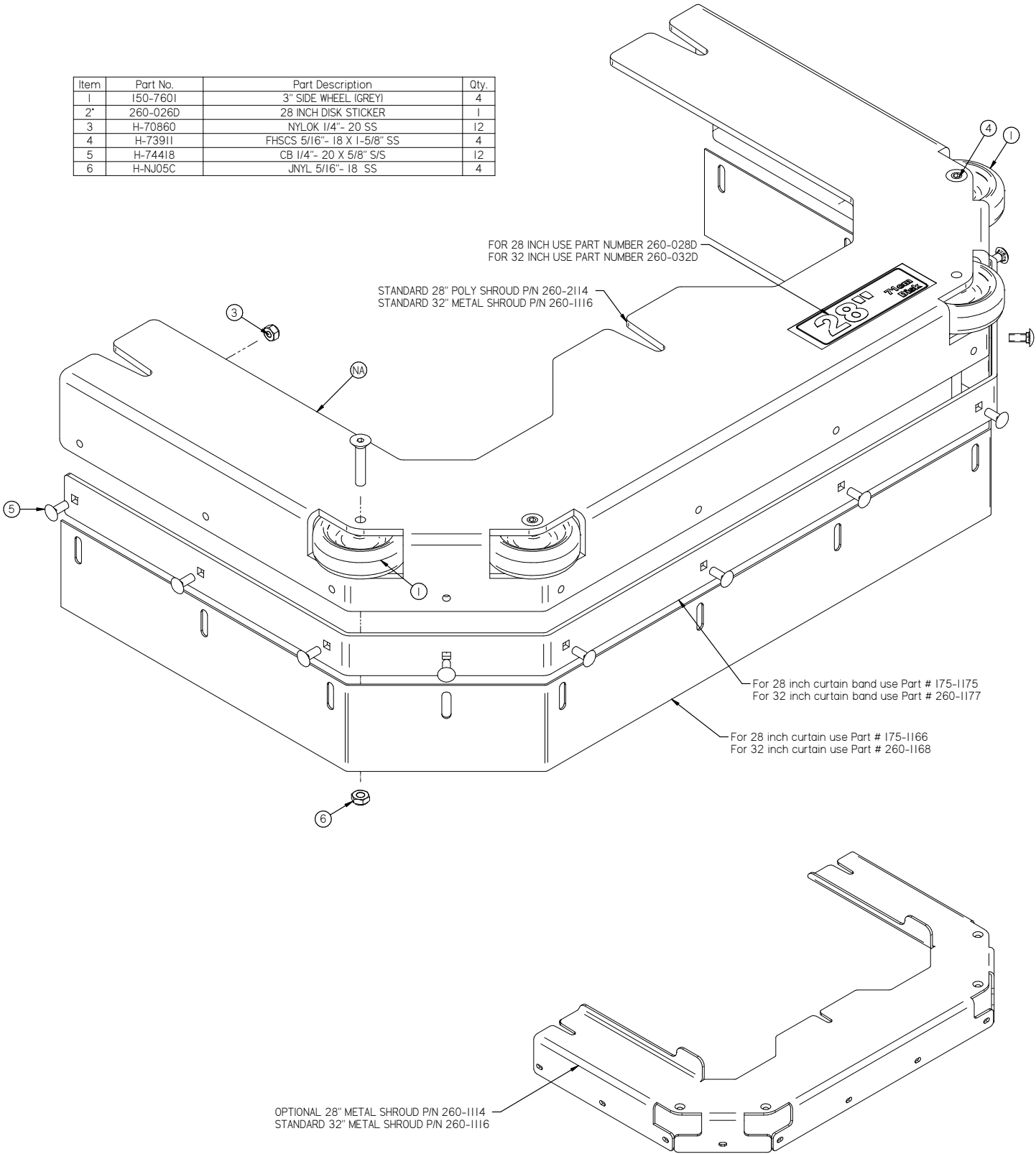
32 INCH DISK SCRUB DECK



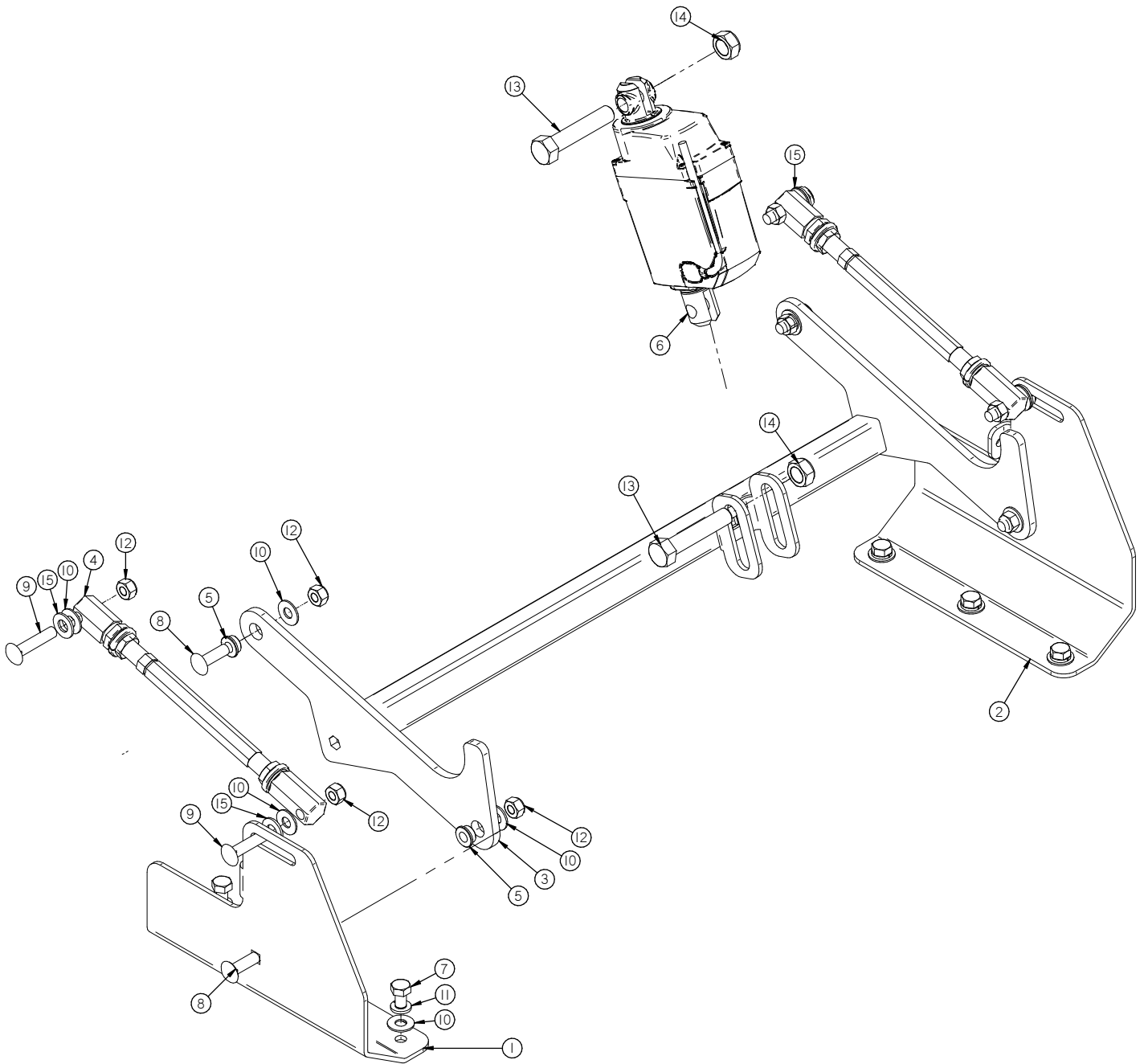
Item	Part No.	Part Description	Qty.	Item	Part No.	Part Description	Qty.
1	150-5786	STAR KNOB, 3/8-16 THREAD	3	19	H-081	CLAMP 1.0" - 1-1/8" SS	5
2	175-5005	DRIVER SPACER	2	20	H-13107	HCS 3/8" - 16 X 1-1/4" ZINK	3
3	260-0505	32" (36V) DISK DECK	1	21	H-21795	CB 1/4" - 20 X 5" ZINK	9
4	260-1079	32 REAR DECK CURTAIN	1	22	H-21810	CB 5/16" - 18 X 3/4" ZINK	4
5	260-2112	MOTOR, 36V, 3/4 HP, 270 RPM	2	23	H-21811	CB 5/16" - 18 X 1" ZINK	12
6	260-5000	BRUSH DRIVER RED HARD COAT (L7-LOBE)	2	24	H-33006	FW 5/16 ID X 3/4 OD ZINK	14
7	260-9003	DISK LIFTING BRACKET (26 AND 28)	1	25	H-33207	FNW 1/4 ID X 1.0 OD ZINK	9
8	260-9578	LIFT ARM CROSS BAR (36V) DISK	1	26	H-33620	LW 5/16" ZINK	2
9	260-9585	UPPER LATERAL ARM, DISK	2	27	H-33622	FW 3/8" ZINK NOM ID .4375 X OD 1.0	2
10	260-9586	LATERAL ARM, DISK	2	28	H-33622	LW 3/8" ZINK	3
11	370-1247	BUSHING 5/16 X 1/2 X 3/16	8	29	H-37020	JNYL 1/4" - 20 ZINK	9
12	5-431	1/4" X 1" KEY	2	30	H-37021	NYLOK 5/16" - 18 ZINK	16
13	5-446	1/2" PLASTIC BARB TEE	1	31	H-38564	M6 METRIC BOLT	16
14	5-447	1/2 NPT X 1/2" BARB ELBOW	2	32	H-4440024	FW 3/8" X 3/4" NYLON	2
15	650-2240	2 INCH STROKE ACTUATOR (L36V)	1	33	H-70055	HCS 5/16" - 18 X 1" SS	2
16	H-0156758	3/8" X 3-1/2" CLEVIS PIN	2	34	H-71017	FW 3/8 ID X 7/8 OD SS	2
17	H-0157797	LW 1/4" ZINK	16	35	H-96544	SPRING, 4-1/8" LG X 9/16" OD (42E)	2
18	H-07005	1/2" NPT LOCKNUT	4	36	H-RUE14	3/8" RUE RING COTTER	2

26 AND 28 INCH DISK SHROUD

Item	Part No.	Part Description	Qty.
1	150-760I	3" SIDE WHEEL (GREY)	4
2	260-026D	28 INCH DISK STICKER	1
3	H-70860	NYLOK 1/4"- 20 SS	12
4	H-7391I	FHSCS 5/16"- 18 X 1-5/8" SS	4
5	H-74418	CB 1/4"- 20 X 5/8" S/S	12
6	H-NJ05C	JNYL 5/16"- 18 SS	4

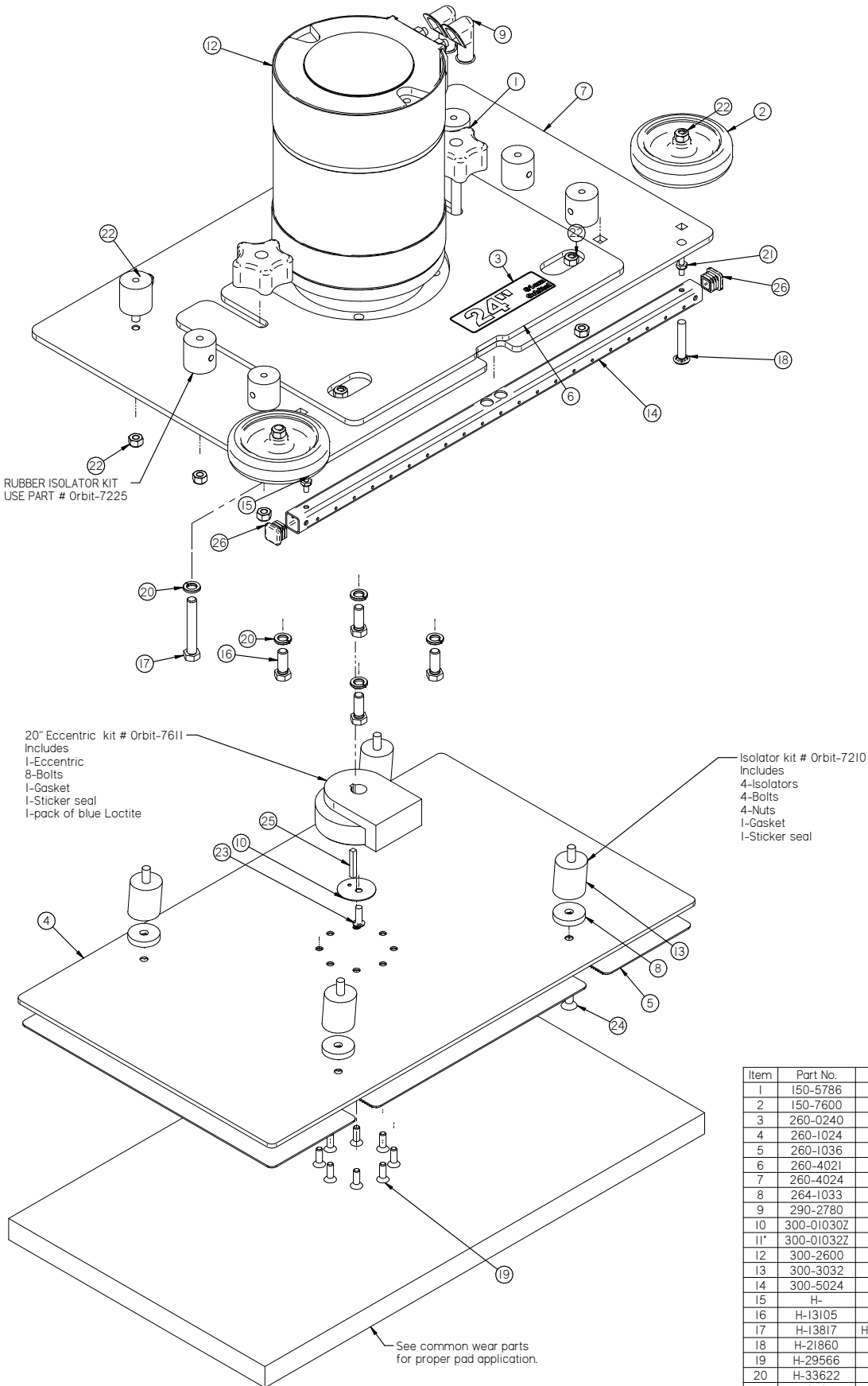


ORBITAL LIFT ARM



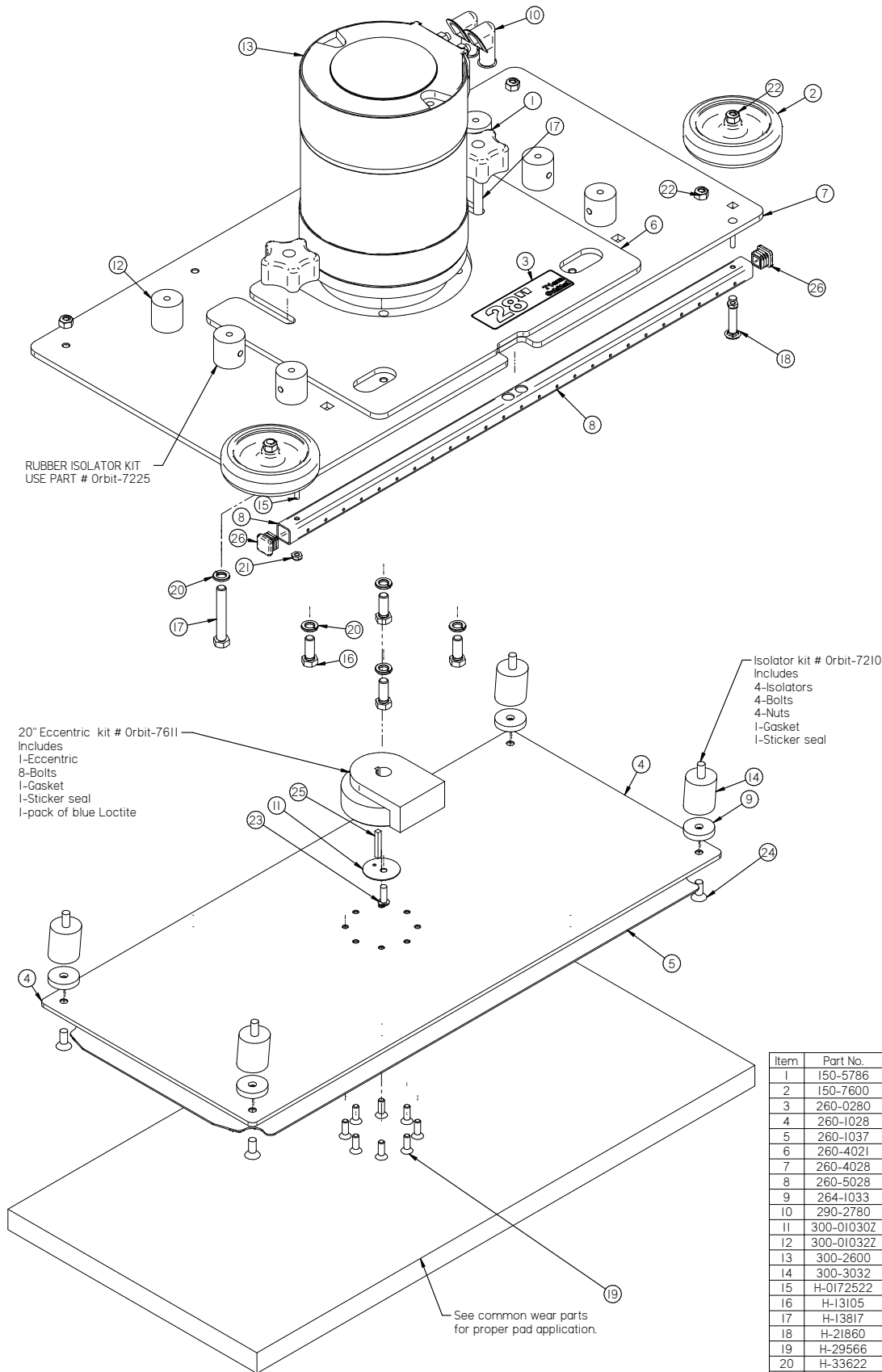
Item	Part No.	Part Description	Qty.
1	260-9082	(LH) DECK BRACKET (36V)	1
2	260-9083	(RH) DECK BRACKET (36V)	1
3	260-9583	LATERAL ARM (EDGE) (36V)	1
4	264-8431	ADJUSTABLE LATERAL ARM	2
5	370-1247	BUSHING 5/16 X 1/2 X 3/16	4
6	650-2240	2 INCH STROKE ACTUATOR (L36V...)	1
7	H-13051	HCS 5/16" - 18 X 1/2" ZINK	6
8	H-21811	CB 5/16" - 18 X 1" ZINK	4
9	H-21813	CB 5/16" - 18 X 1-1/2" ZINK	4
10	H-33006	FW 5/16 ID X 3/4 OD ZINK	14
11	H-33620	LW 5/16" ZINK	6
12	H-37021	NYLOK 5/16" - 18 ZINK	8
13	H-38712	HCS M12-1.75 X 60MM ZINK	2
14	H-40171	NYLOK M12-1.75 ZINK	2
15	H-4440024	FW 3/8" X 3/4" NYLON	4

24 INCH ORBITAL DECK



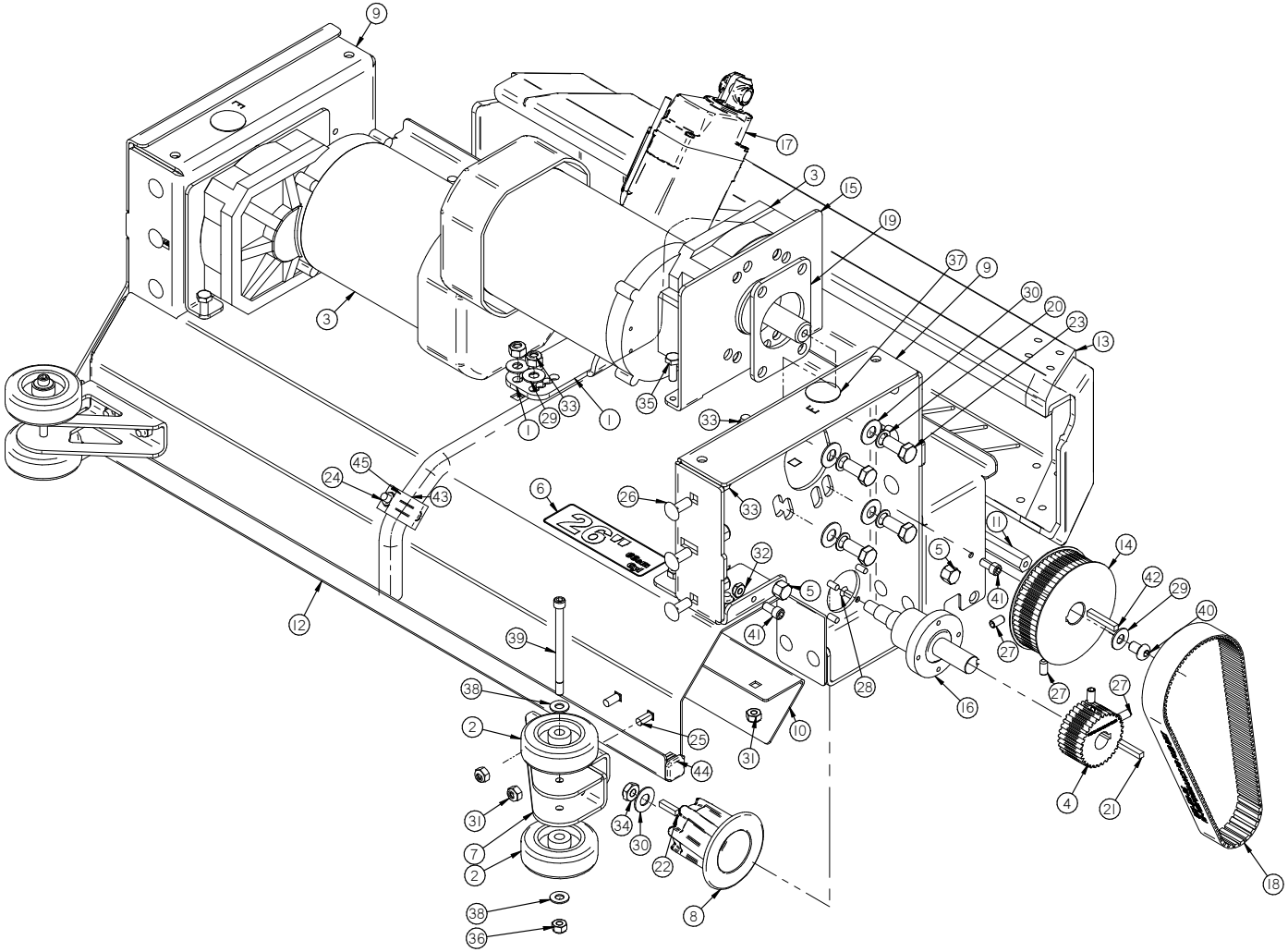
Item	Part No.	Part Description	Qty.
1	150-5786	STAR KNOB, 3/8-16 THREAD	2
2	150-7600	4" SIDE WHEEL (GREY)	2
3	260-0240	24 INCH ORBITAL STICKER	1
4	260-1024	24 INCH ALUMINUM PAD DRIVER	1
5	260-1036	24" GRIP FACE	1
6	260-4021	8.25 LBS WEIGHT (YELLOW)	1
7	260-4024	24 INCH SQUARE HEAD DECK	1
8	264-1033	1/4" SPACER	4
9	290-2780	TERMINAL BOOT, BLACK	2
10	300-01030Z	CRUSH WASHER	1
11*	300-01032Z	1-1/4X1-1/4X5/16-18 ISO DI ISOLATOR	6
12	300-2600	36V JHP, 2700 RPM	1
13	300-3032	1-1/4X1-1/2X5/16-18 ISO DI ISOLATOR	4
14	300-5024	SOLUTION FEED TUBE (24")	1
15	H-	CB #10-32 X 1-1/2" ZINK	2
16	H-13105	HCS 3/8" - 16 X 1" ZINK	4
17	H-13817	HCS 3/8" - 16 X 2-1/2" ZINK (FULLY THREADED)	2
18	H-21860	CB 5/16" - 18 X 1-3/4" ZINK	2
19	H-29566	FHP 1/4" - 20 X 3/4" ZINK	8
20	H-33622	LW 3/8" ZINK	6
21	H-37015	NYLOK #10-32 ZINK	2
22	H-37021	NYLOK 5/16" - 18 ZINK	12
23	H-73754	BHSCS 1/4 - 20 X 3/4" SS	1
24	H-94254	FHSCS 5/16" - 18 X 3/4" ZINK	4
25	H-K14320	3/16" X 1 1/4" KEY	1
26	M-9565K5	3/4 X 3/4 SQ TUBE PLUG	2

28 INCH ORBITAL DECK



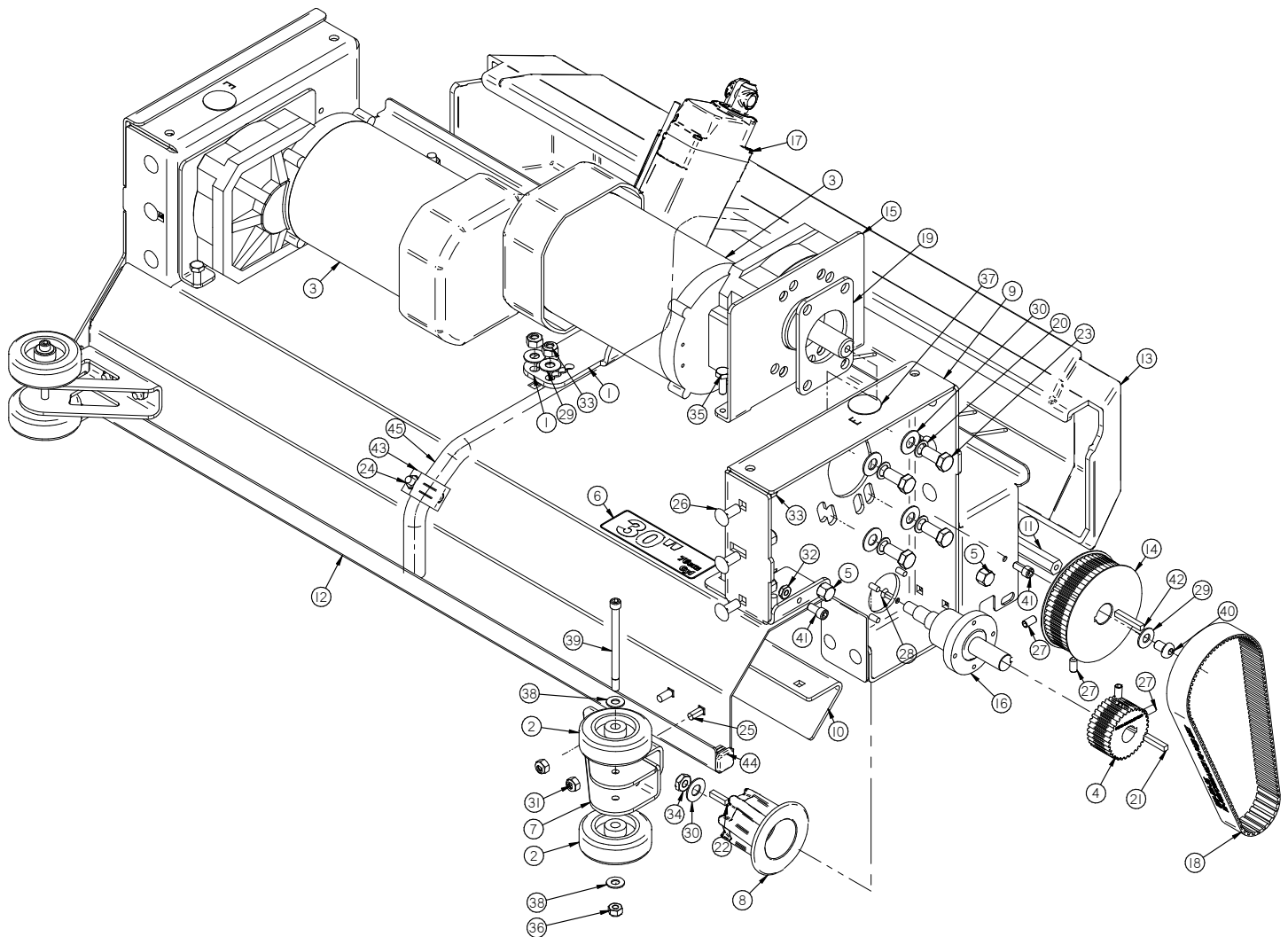
Item	Part No.	Part Description	Qty.
1	150-5786	STAR KNOB, 3/8-16 THREAD	2
2	150-7600	4" SIDE WHEEL (GREY)	2
3	260-0280	28 INCH ORBITAL STICKER	1
4	260-1028	28 INCH ALUMINUM PAD DRIVER	1
5	260-1037	28" GRIP FACE	1
6	260-4021	8.25 LBS WEIGHT (YELLOW)	1
7	260-4028	28 INCH SQUARE HEAD DECK	1
8	260-5028	SOLUTION FEED TUBE (28")	1
9	264-1033	1/4" SPACER	4
10	290-2780	TERMINAL BOOT, BLACK	2
11	300-01030Z	CRUSH WASHER	1
12	300-01032Z	1-1/4X1-1/4X5/16-18 (50D) ISOLATOR	6
13	300-2600	36V IHP 2700 RPM	1
14	300-3032	1-1/4X1-1/2X5/16-18 (50D) ISOLATOR	4
15	H-0172522	CB #10-32 X 1-1/4" ZINK	2
16	H-13105	HCS 3/8" - 16 X 1" ZINK	4
17	H-13817	HCS 3/8" - 16 X 2-1/2" ZINK (FULLY THREADED)	2
18	H-21860	CB 5/16" - 18 X 1-3/4" ZINK	2
19	H-29566	FHP 1/4" - 20 X 3/4" ZINK	8
20	H-33622	LW 3/8" ZINK	6
21	H-37015	NYLOK #10-32 ZINK	2
22	H-37021	NYLOK 5/16" - 18 ZINK	12
23	H-73754	BHSCS 1/4 - 20 X 3/4" SS	1
24	H-94254	FHSCS 5/16" - 18 X 3/4" ZINK	4
25	H-K14320	3/16" X 1 1/4" KEY	1
26	M-9565K5	3/4 X 3/4 SQ TUBE PLUG	2

26 INCH CYLINDRICAL DECK



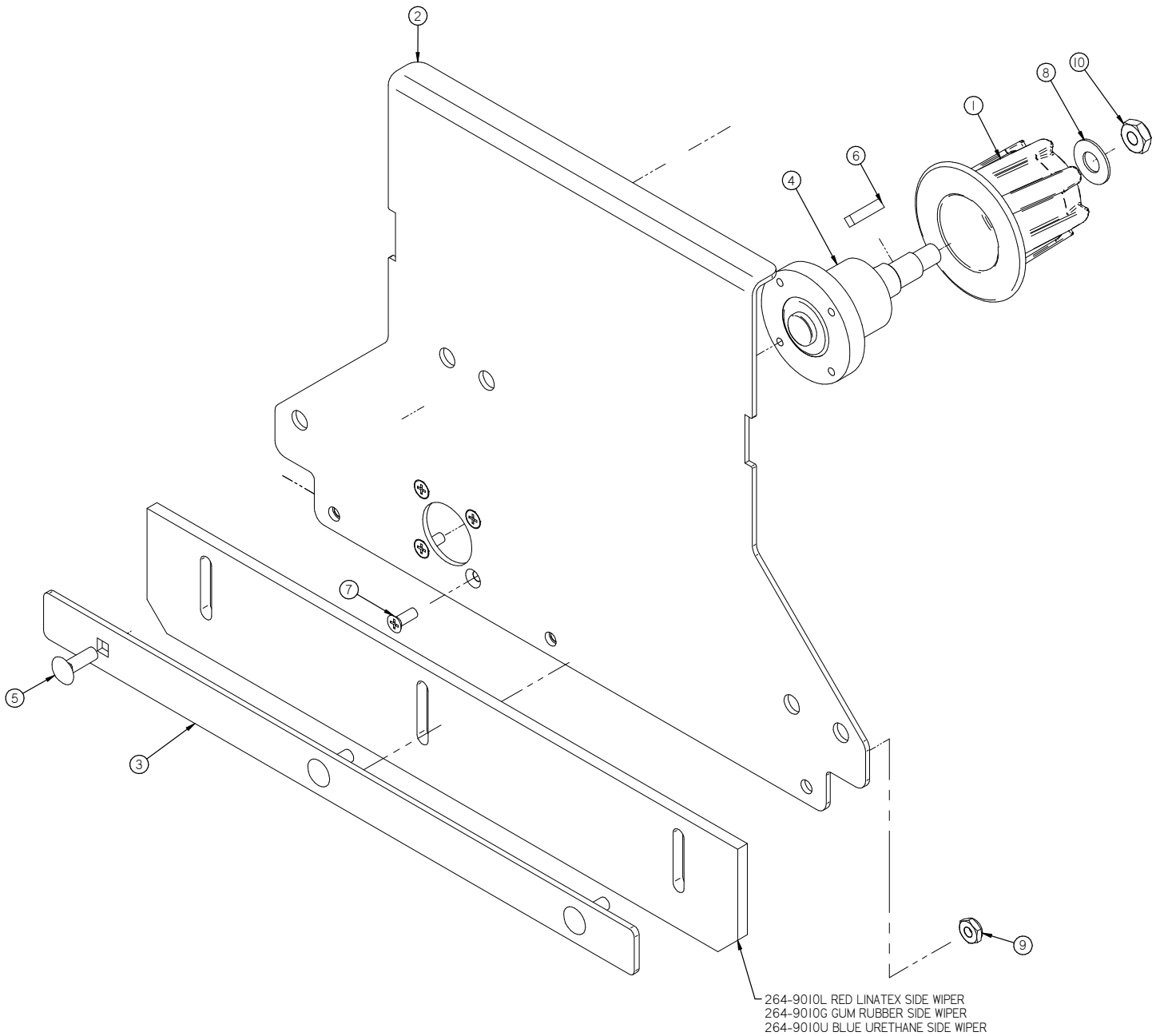
Item	Part No.	Part Description	Qty.	Item	Part No.	Part Description	Qty.
1	150-9006	DECK LIFTING BRACKET	1	24	H-21795	CB 1/4" - 20 X 5" ZINK	2
2	21-7570	BACK UP WHEEL (GREY)	4	25	H-21800	CB 1/4" - 20 X 5/8" ZINK	22
3	250-201	MOTOR, 36V, 3/4 HP, 350 RPM	2	26	H-21810	CB 5/16" - 18 X 3/4" ZINK	22
4	253-8215	TIMING SPROCKET 32 TOOTH	2	27	H-25382	SETSCREW, KCP, 1/4"-20 X 1/2"	8
5	253-9024	THUMB SCREW	4	28	H-29506	FHP #10-32 X 1/2" ZINK	8
6	260-026C	26 INCH CYLINDRICAL STICKER	1	29	H-33006	FW 5/16 ID X 3/4 OD ZINK	12
7	260-7220	ROLLER WHEEL BRACKET	2	30	H-33008	FW 3/8 ID X 7/8 OD ZINK	10
8	260-8371	7-SPLINE CYL DRIVER (RED HARD COAT)	2	31	H-37019	NYLOK 1/4" - 20 ZINK	22
9	260-9020	SIDE SUPPORT	2	32	H-37020	JNYL 1/4" - 20 ZINK	6
10	260-9024	26" ATTENUATOR	1	33	H-37021	NYLOK 5/16" - 18 ZINK	22
11	260-9025	26" STIFFENER	1	34	H-37126	JNYL 3/8- 24 ZINK	2
12	260-9026	26" SHELL	1	35	H-70003	HCS 1/4"-20 X 3/4" SS	4
13	260-9050	26" HOPPER	1	36	H-70860	NYLOK 1/4" - 20 SS	2
14	264-8225	TIMING SPROCKET 56 TOOTH	2	37	H-70889	HOLE PLUG 7/8"	2
15	264-9002	MOTOR ADJ BRACKET	2	38	H-71013	FW 1/4 ID X 5/8 OD SS	4
16	370-8240A	BEARING HOUSING/BEARING	2	39	H-73470	SHCS 1/4-20 X 3.5 SS	2
17	650-2240	2 INCH STROKE ACTUATOR L36V_J	1	40	H-73777	BHSCS 5/16-18 X 1/2"	2
18	650-8230	555-5M-25 HI-PERFORMANCE PD PLUS BELT	2	41	H-93201	SHCS 1/4-20 X 1/2 ZINK	5
19	650-9004	MOTOR SPACER	2	42	H-K14320	3/16" X 1 1/4" KEY	2
20	H-	WASHER, SERRATED BELLEVILLE, 3/8", ZINK	8	43	M-9434T22	1.0 DIA One Hole Tube Clamp	1
21	H-01125	3/16" X 1" KEY	2	44	M-9565K5	3/4 X 3/4 SQ TUBE PLUG	2
22	H-0953152	3/16" X 3/4" KEY	2	45	T-050R6000	BULK 1/2" X 5' WIRE REINFORCED SOLUTION HOSE	1
23	H-17104	HCS 3/8"-24 X 7/8" ZINK	8				

30 INCH CYLINDRICAL DECK



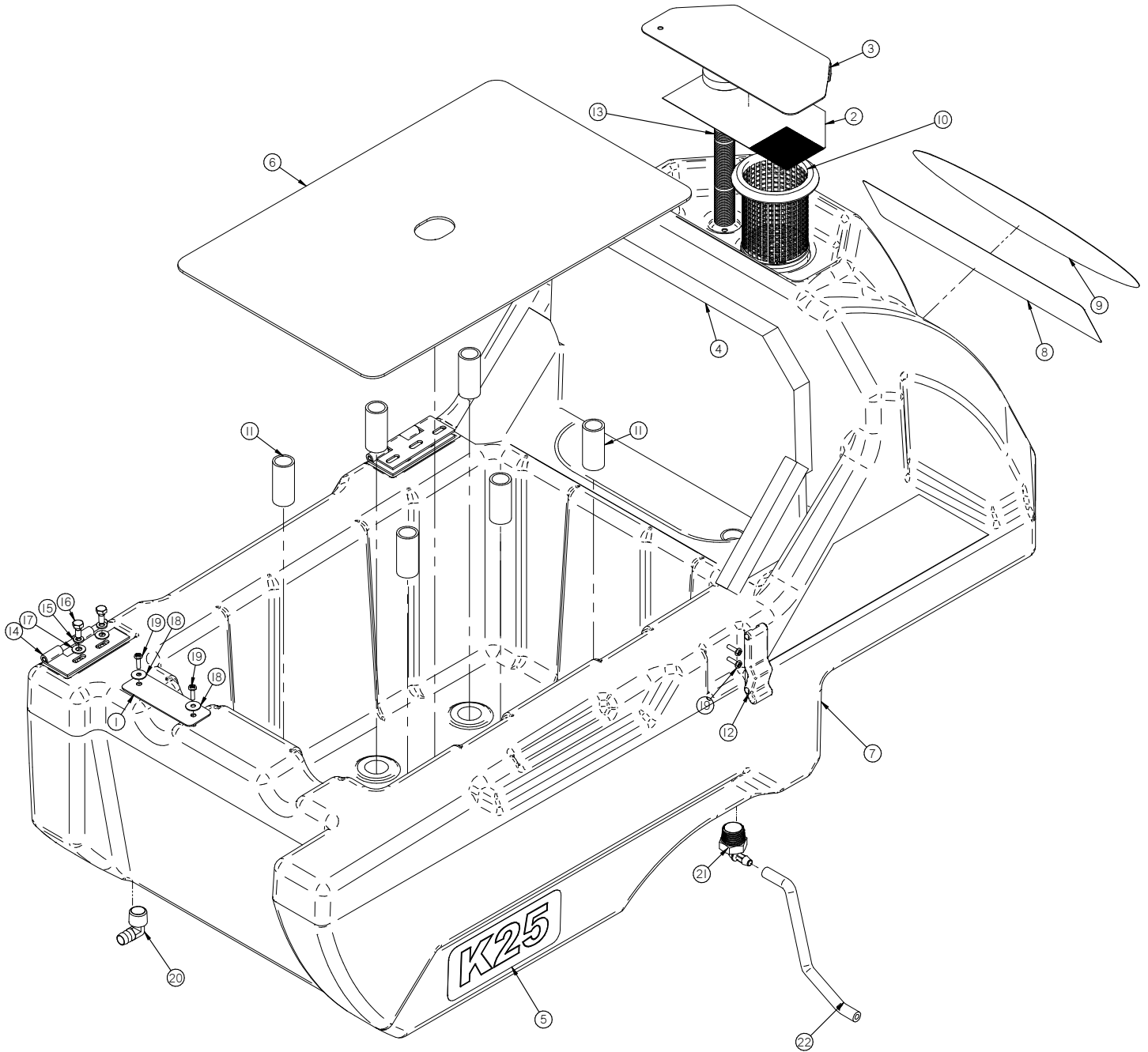
Item	Part No.	Part Description	Qty.	Item	Part No.	Part Description	Qty.
1	150-9006	DECK LIFTING BRACKET	1	24	H-21795	CB 1/4"- 20 X 5/8" ZINK	2
2	21-7570	BACK UP WHEEL (GREY)	4	25	H-21800	CB 1/4"- 20 X 5/8" ZINK	22
3	250-201	MOTOR, 36V, 3/4 HP, 350 RPM	2	26	H-21810	CB 5/16"- 18 X 3/4" ZINK	22
4	253-8215	TIMING SPROCKET 32 TOOTH	2	27	H-25382	SETSCREW, KCP, 1/4"-20 X 1/2"	8
5	253-9024	THUMB SCREW	4	28	H-29506	FHP #10-32 X 1/2" ZINK	8
6	260-030C	30 INCH CYLINDRICAL STICKER	1	29	H-33006	FW 5/16 ID X 3/4 OD ZINK	12
7	260-7220	ROLLER WHEEL BRACKET	2	30	H-33008	FW 3/8 ID X 7/8 OD ZINK	10
8	260-8371	7-SPLINE CYL DRIVER (RED HARD COAT)	2	31	H-37019	NYLON 1/4"- 20 ZINK	20
9	260-9020	SIDE SUPPORT	2	32	H-37020	JNYL 1/4"- 20 ZINK	6
10	260-9028	30" ATTENUATOR	1	33	H-37021	NYLON 5/16"- 18 ZINK	22
11	260-9029	30" STIFFENER	1	34	H-37126	JNYL 3/8"- 24 ZINK	2
12	260-9030	30" SHELL	1	35	H-70003	HCS 1/4"-20 X 3/4" SS	4
13	260-9052	30" HOPPER	1	36	H-70860	NYLON 1/4"- 20 SS	2
14	264-8225	TIMING SPROCKET 56 TOOTH	2	37	H-70889	HOLE PLUG 7/8"	2
15	264-9002	MOTOR ADJ BRACKET	2	38	H-71013	FW 1/4 ID X 5/8 OD SS	4
16	370-8240A	BEARING HOUSING/BEARING	2	39	H-73470	SHCS 1/4-20 X 3.5 SS	2
17	650-2240	2 INCH STROKE ACTUATOR L36V_L	1	40	H-73777	BHSCS 5/16-18 X 1/2"	2
18	650-8230	555-5M-25 HI-PERFORMANCE PD PLUS BELT	2	41	H-93201	SHCS 1/4-20 X 1/2 ZINK	5
19	650-9004	MOTOR SPACER	2	42	H-K14320	3/16" X 1 1/4" KEY	2
20	H-	WASHER, SERRATED BELLEVILLE, 3/8", ZINK	8	43	M-9434T22	1.0 DIA One Hole Tube Clamp	1
21	H-01125	3/16" X 1" KEY	2	44	M-9565K5	3/4 X 3/4 SQ TUBE PLUG	2
22	H-0953152	3/16" X 3/4" KEY	2	45	T-050R6000	BULK 1/2" X 5' WIRE REINFORCED SOLUTION HOSE	1
23	H-17104	HCS 3/8"-24 X 7/8" ZINK	8				

CYLINDRICAL DOOR



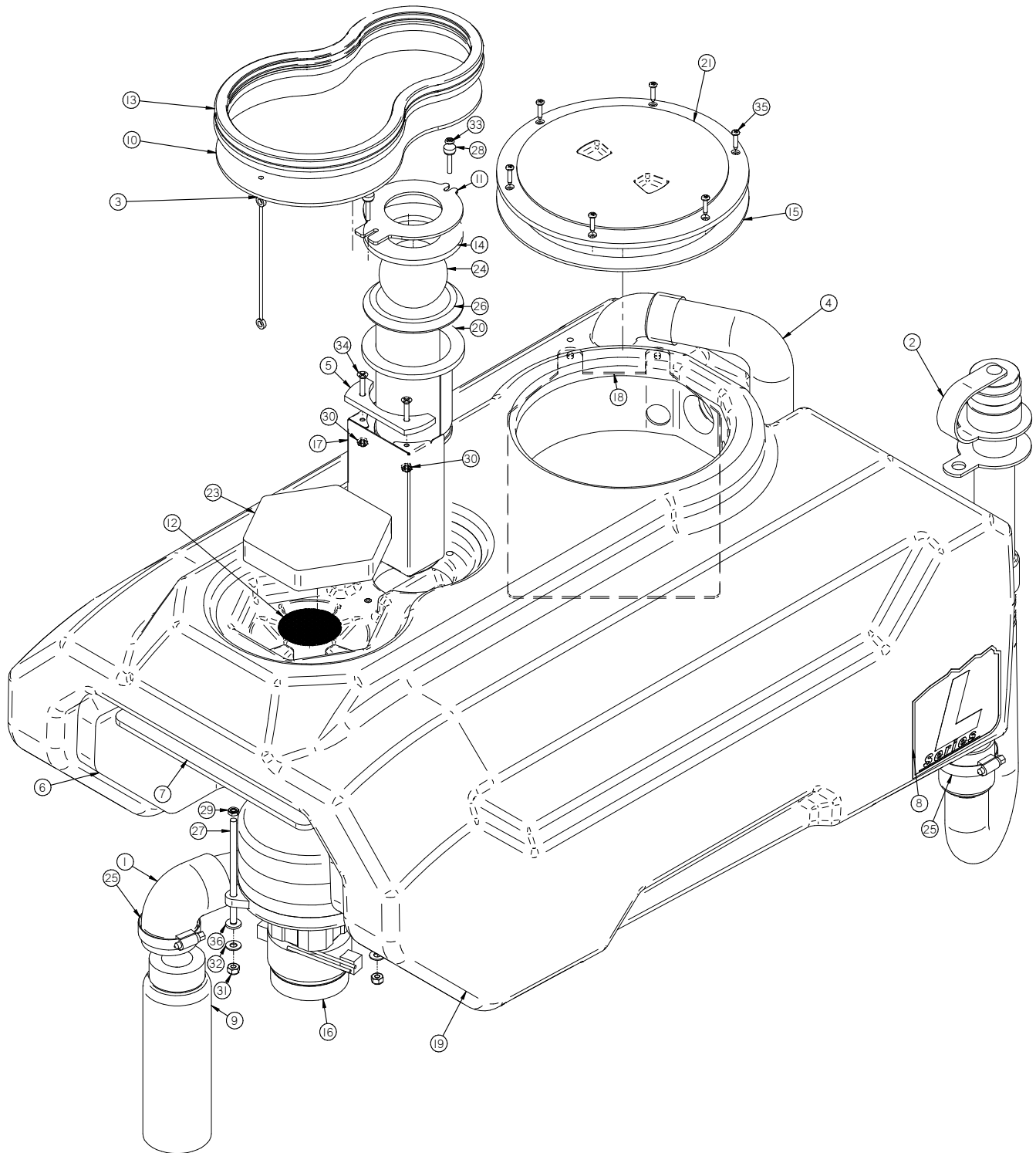
Item	Part No.	Part Description	Qty.
1	260-8373	7-SPLINE CYL IDLER (PVC)	1
2	260-9022	DRIVE COVER	1
3	264-9015	WIPER BAND	1
4	370-8241A	IDLER DRIVE BEARING	1
5	H-21153	CB 1/4" - 20 X .75" ZINK	3
6	H-0953152	3/16" X 3/4" KEY	1
7	H-29506	FHP #10-32 X 1/2" ZINK	4
8	H-33008	FW 3/8 ID X 7/8 OD ZINK	1
9	H-37020	JNYL 1/4" - 20 ZINK	3
10	H-37126	JNYL 3/8- 24 ZINK	1

SOLUTION TANK ASSEMBLY



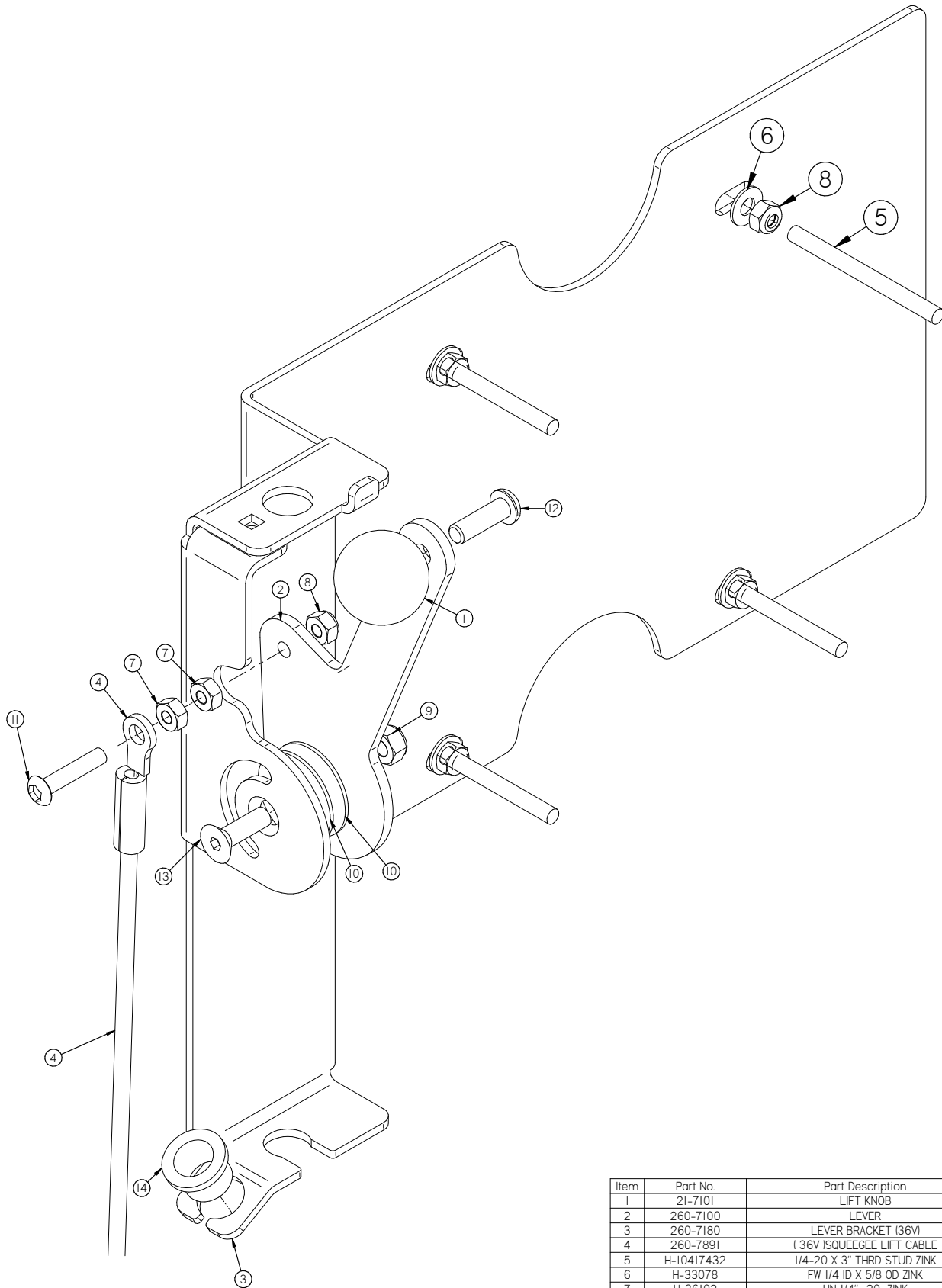
Item	Part No.	Part Description	Qty.	Item	Part No.	Part Description	Qty.
1	260-1126	BATTERY CABLE STRAP	1	12	4-124	LATCH	1
2	260-1128	SOLUTION FILL SCREEN	1	13	500-1380	FILL HOSE	1
3	260-1129	SOLUTION FILL CURTIAN	1	14	600-1220	4" SS HINGE	2
4	260-1138	VAC MOTOR INSULATION	1	15	H-0157797	LW 1/4" ZINK	4
5	260-1525	"MODEL DECAL"	2	16	H-13002	HCS 1/4"-20 X 5/8" ZINK	4
6	260-3004	BATTERY PLATE	1	17	H-33078	FW 1/4 ID X 5/8 OD ZINK	4
7	260-4140	SOLUTION TANK (26 gallon)	1	18	H-71010	FW #10 ID X 11/16 OD SS	2
8	260-7200	"BRAND DECAL"	1	19	H-72399	PPH #8-32 X 5/8" S/S	4
9	260-7201	"BRAND DECAL"	1	20	M-53525K58	1/2 NPT X 1/2" BARB ELBOW BRASS	1
10	260-8910	SCREEN STRAINER, 4-1/4" LG	1	21	M-5463K507	3/4 NPT X 3/8 BARBED X 90 DEG	1
11	260-9140	TANK SPACER	6	22	T-025B6000	BULK 1/4" ID X 5' BLUE VAC DRAIN HOSE	1

RECOVERY TANK ASSEMBLY



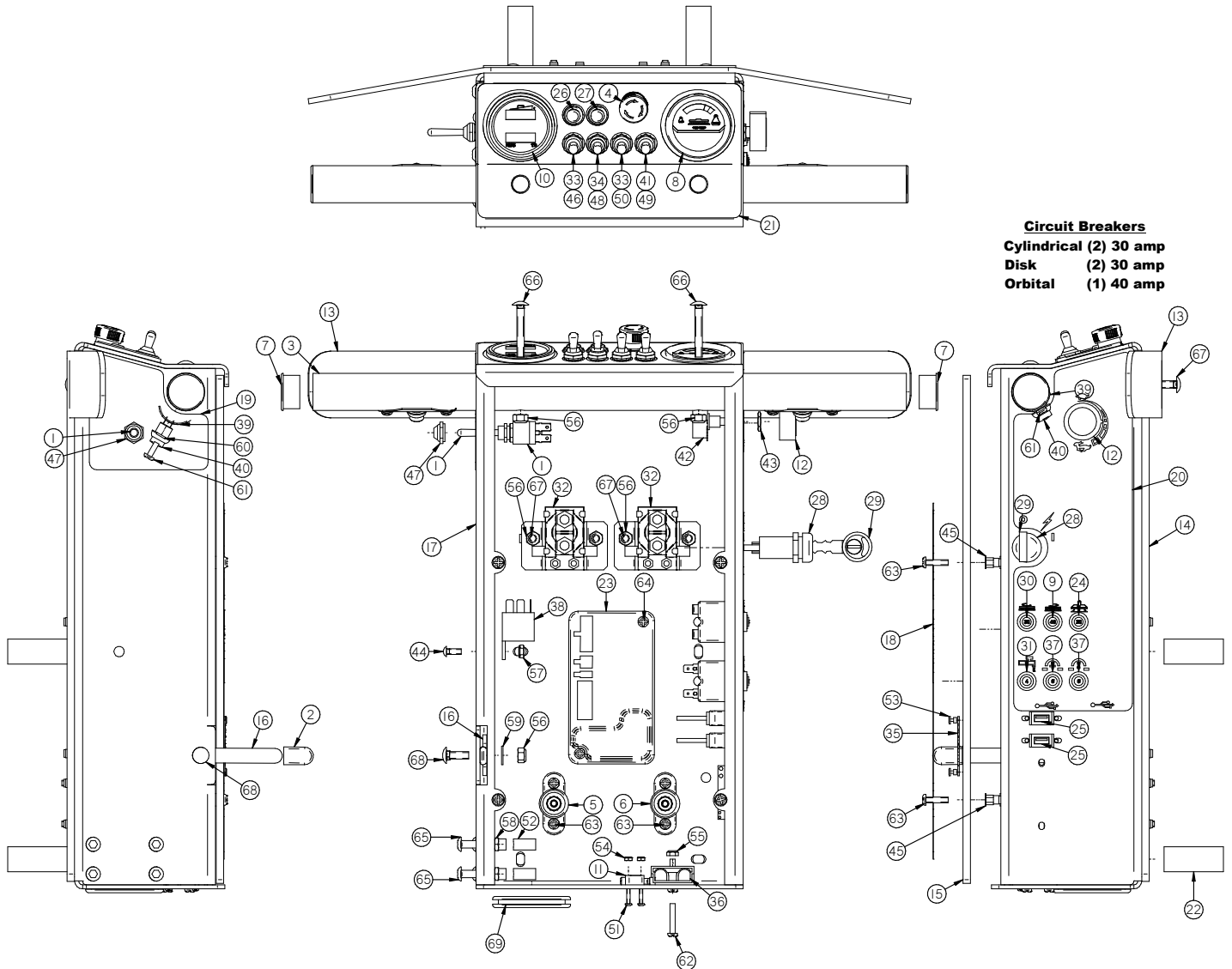
Item	Part No.	Part Description	Qty.	Item	Part No.	Part Description	Qty.
1	150-7291	EXHAUST ELBOW	1	19	260-7010	REC TANK (29 gallon)	1
2	175-7210	DRAIN HOSE	1	20	260-7380	STRAINER GASKET	1
3	21-4060	LANYARD	1	21	260-7425	TANK SCREW ON LID 10"	1
4	260-	SQUEEGEE HOSE	1	22*	260-8912	DRAIN SAVER BASKET	1
5	260-1133	TANK GASKET	1	23	264-4086	VAC BOX FILTER	1
6	260-1137	VAC MOTOR INSULATION	1	24	38-712	OVERFILL SHUTOFF BALL	1
7	260-1139	VAC MOTOR GASKET	1	25	5-719	CLAMP 1 9/16 - 2 1/2" SS	2
8	260-1521	MODEL DECAL	1	26	7-711A	SCREEN STRAINER	1
9	260-2502	VAC MUFFLER	1	27	H-	1/4-20 X 5.0" THRD STUD ZINK	3
10	260-4048	REC TANK VAC COVER	1	28	H-	8-32 THUMB NUT	2
11	260-4080	BALL FLOAT TOP	1	29	H-37408	KN #10-32 ZINK	3
12	260-4081	VAC SCREEN	1	30	H-70858	NYLOK #10-32 SS	2
13	260-4100	PUSH-ON RUBBER GASKET	1	31	H-70860	NYLOK 1/4" - 20 SS	3
14	260-4103	BALL FLOAT GASKET	1	32	H-71013	FW 1/4 ID X 5/8 OD SS	3
15	260-4106	8 INCH LID GASKET	1	33	H-72419	PPH #8-32 X 1-1/4" S/S	2
16	260-5251	36V VAC MOTOR, TANGENTIAL	1	34	H-72685	FHP 10-32 X 1" SS	2
17	260-7000	BAFFLE	1	35	H-72916	PPH SMS #8 X 3/4" SS	6
18	260-7001	TANK CURTAIN	1	36	M-90130A029	25" NEOPRENE WASHER	3

SQUEEGEE LIFT BRACKET



Item	Part No.	Part Description	Qty.
1	21-7101	LIFT KNOB	1
2	260-7100	LEVER	1
3	260-7180	LEVER BRACKET (36V)	1
4	260-7891	1/36V ISQUEEGEE LIFT CABLE	1
5	H-10417432	1/4-20 X 3" THRD STUD ZINK	4
6	H-33078	FW 1/4 ID X 5/8 OD ZINK	4
7	H-36102	HN 1/4"- 20 ZINK	2
8	H-37019	NYLOK 1/4" - 20 ZINK	5
9	H-37021	NYLOK 5/16" - 18 ZINK	1
10	H-921052416	FW .390" X 1-1/2" NYLON	2
11	H-94054	BHSCS 1/4 - 20 X 1-1/2" SS	1
12	H-94071	BHSCS 5/16-18 X 1 ZINK	1
13	H-94256	FHSCS 5/16"- 18 X 1" ZINK	1
14	M-9440T26	.625 ID X .75 OD X .625 LG FLANGED BEARING	1

CENTRAL COMMAND



Circuit Breakers
Cylindrical (2) 30 amp
Disk (2) 30 amp
Orbital (1) 40 amp

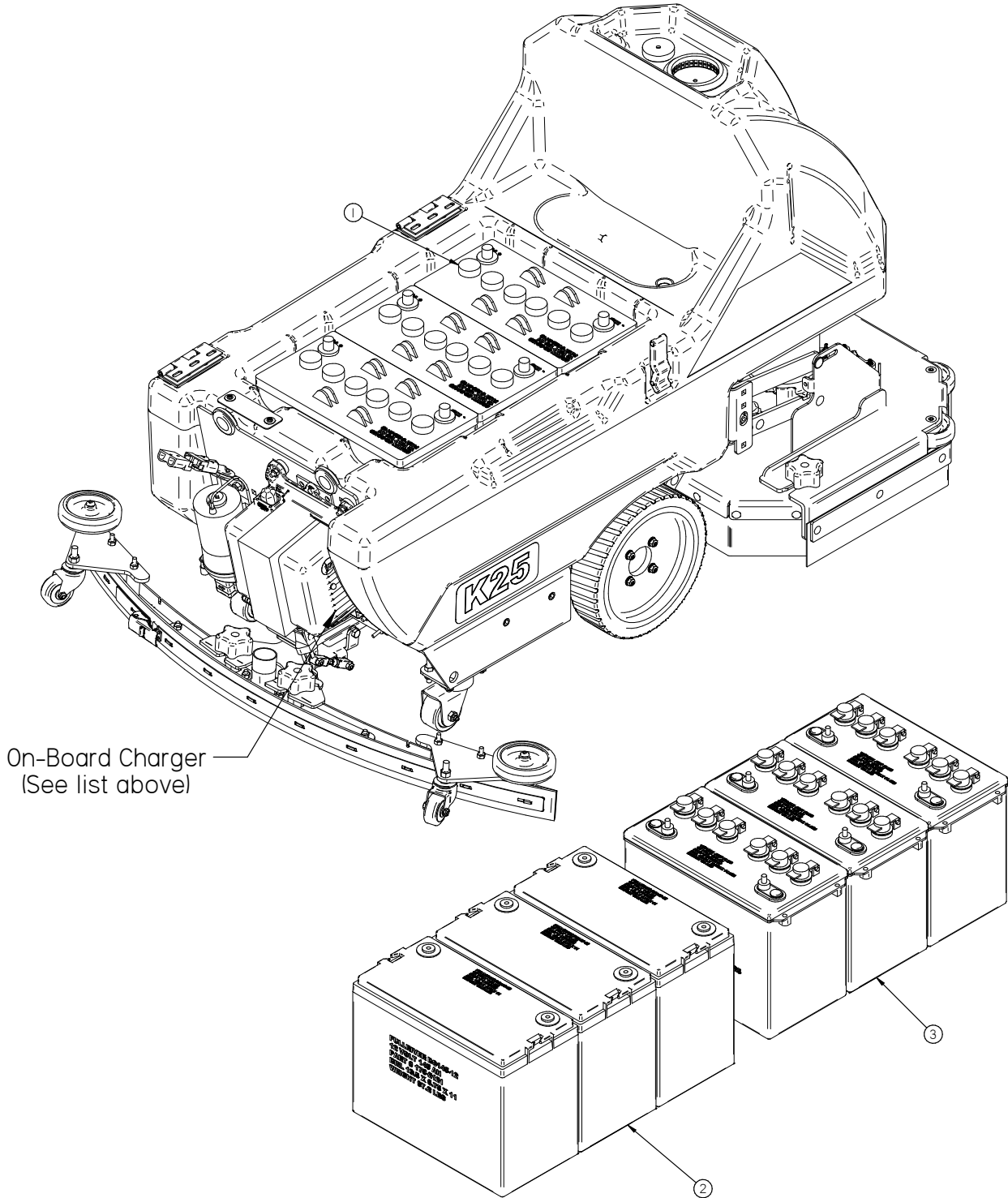
Item	Part No.	Part Description	Qty.	Item	Part No.	Part Description	Qty.
1	150-2830	SWITCH, TOGGLE, MOM/OFF/MOM (DPDT)	1	36	4-259	CONNECTOR, RED 50, HOUSING ONLY	1
2	150-4480	HANDLE GRIP (BLUE)	1	37	4-284	FUSE, RESETTABLE, 6 AMP, 50V DC MAX	2
3	170-1041	HANDLE BAR (DUAL BUTTON)	1	38	5-293	15 AMP RELAY	1
4	175-0300	Emergency stop switch, 51 series, IC/O	1	39	7-228	SWITCH MOUNT PLATE	2
5	175-2700	NEG INSULATOR POST (BLACK)	1	40	7-229D	PUSH BUTTON SWITCH	2
6	175-2710	POS INSULATOR POST (RED)	1	41	7-283	SWITCH, TOGGLE, MOM/OFF/MOM (DPDT)	1
7	190-1390	END CAP	2	42	7-292	5K POTENTIOMETER	1
8	190-4852	BRUSH PRESSURE GAUGE, 40 AMP	1	43	H-0147994	3/8-32 X 1/2" PANEL NUT	1
9	190-9609	FUSE, RESETTABLE, 40 AMP	1	44	H-0172518	CB #10-32 X 1/2" SS	1
10	200-4855	36V BATTERY AND HOUR METER	1	45	H-1032HCN	HCN #10-32	10
11	21-2230	MICRO SWITCH	1	46	H-11195	PROTECTIVE BOOT, TOGGLE SWITCH, (WHITE)	1
12	21-4520	SPEED CONTROL KNOB, RED	1	47	H-11196	PROTECTIVE BOOT, TOGGLE SWITCH, (RED)	1
13	260-1293	HAND GUARD	1	48	H-11199	PROTECTIVE BOOT, TOGGLE SWITCH, (BLUE)	1
14	260-2000	CONTROL PANEL WEIGHT	1	49	H-11200	PROTECTIVE BOOT, TOGGLE SWITCH, (BLACK)	1
15	260-2001	CONTROL PANEL COVER	1	50	H-11201	PROTECTIVE BOOT, TOGGLE SWITCH, (GRAY)	1
16	260-2003	VALVE LEVER	1	51	H-28667	PPH MS 4-40 X 3/4"	2
17	260-2011	CENTRAL COMMAND	1	52	H-33372	SHAFT COLLAR, 3/8" ID	4
18	260-2021	CENTRAL COMMAND STICKER (FRONT)	1	53	H-41007	AB4-3A BLIND RIVET	4
19	260-2021	CENTRAL COMMAND STICKER (LH SIDE)	1	54	H-70854	NYLOK #4-40 SS	2
20	260-2021	CENTRAL COMMAND STICKER (RH SIDE)	1	55	H-70856	NYLOK #8-32 SS	2
21	260-2021	CENTRAL COMMAND STICKER (TOP)	1	56	H-70860	NYLOK 1/4" - 20 SS	9
22	260-2701	CENTRAL COMMAND SPACER	4	57	H-70923	KN #10-32 SS	3
23	260-2899	IDRIVE 24V/36V, 70 AMP CONTROLLER	1	58	H-70925	KN 1/4-20 S/S	4
24	260-8270	FUSE RESETTABLE, 20 AMP	1	59	H-71013	FW 1/4 ID X 5/8 OD SS	1
25	264-2590	USB PORT	1	60	H-71057	LW #8, SS	4
26	290-2300	LED LIGHT (BLUE)	1	61	H-72398	PPH #8-32 X 1/2" S/S	4
27	290-2310	FULL RECOVERY (RED)	1	62	H-72418	PPH #8-32 X 1" S/S	2
28	290-234	KEY SWITCH (WITH KEY)	1	63	H-72534	PPH #10-32 X 3/4" S/S	8
29	290-234A	KEY SET (REPLACE)	1	64	H-72536	PPH #10-32 X 1" S/S	2
30	290-9609	FUSE, RESETTABLE, 30 AMP	2	65	H-73752	BHSCS 1/4 - 20 X 1/2" SS	4
31	349-9604	FUSE, RESETTABLE, 4 AMP, 50V DC MAX	1	66	H-74396	CB 1/4"- 20 X 1-3/4" SS	2
32	370-2331	RELAY, 36V, SMALL, W/FLAT MTG PLATE	2	67	H-74418	CB 1/4"- 20 X 5/8" S/S	6
33	370-8210	SWITCH, TOGGLE, ON/ON (DPDT)	2	68	H-74419	CB 1/4"- 20 X .75" SS	1
34	370-8920	TOGGLE, ON-OFF SPST	1	69	H-9307K99	GROMMET, 2" ID X 2-5/8" OD	1
35	4-101	SERIAL NUMBER PLATE	1				

BATTERY PACK AND CHARGERS

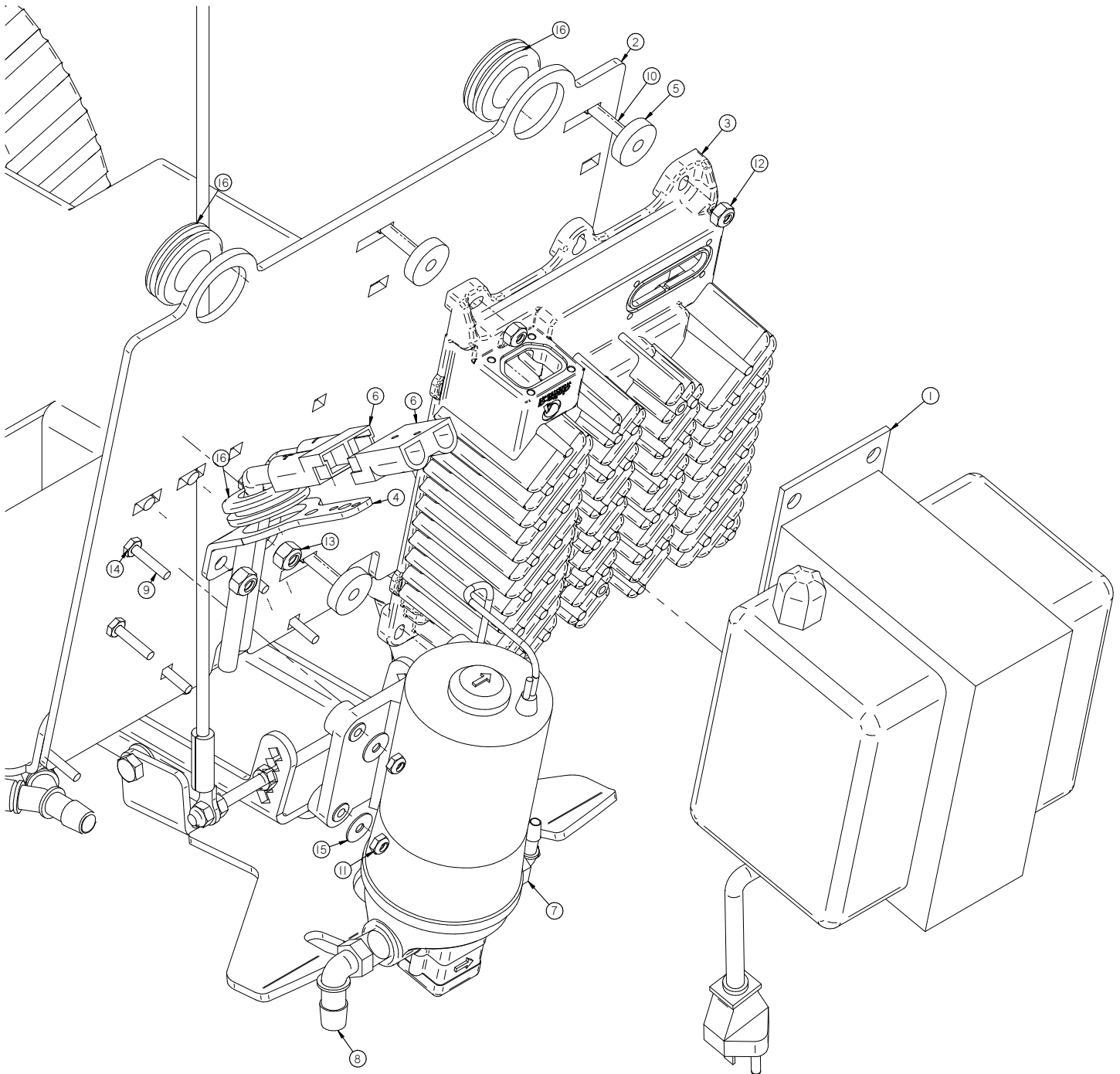
See charger operator manuals for proper programming

WHICH BATTERY CHARGER TO USE WITH BATTERY SELECTION

Battery Part Number & Description	Off-Board Charger	On-Board Charger	Optional On-Board Charger
200-2110 150AH Trojan	600-2540	250-2441	260-2460
260-2110 150AH Crown	600-2540	250-2441	260-2460
170-2121 140AH Full River	600-2540	260-2441	260-2460



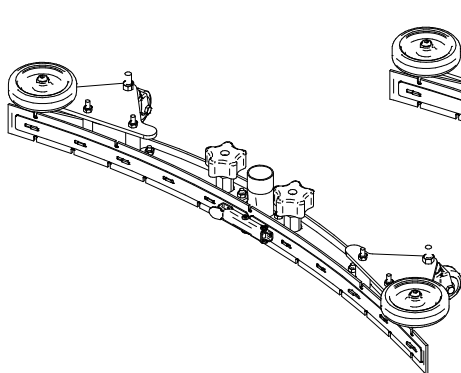
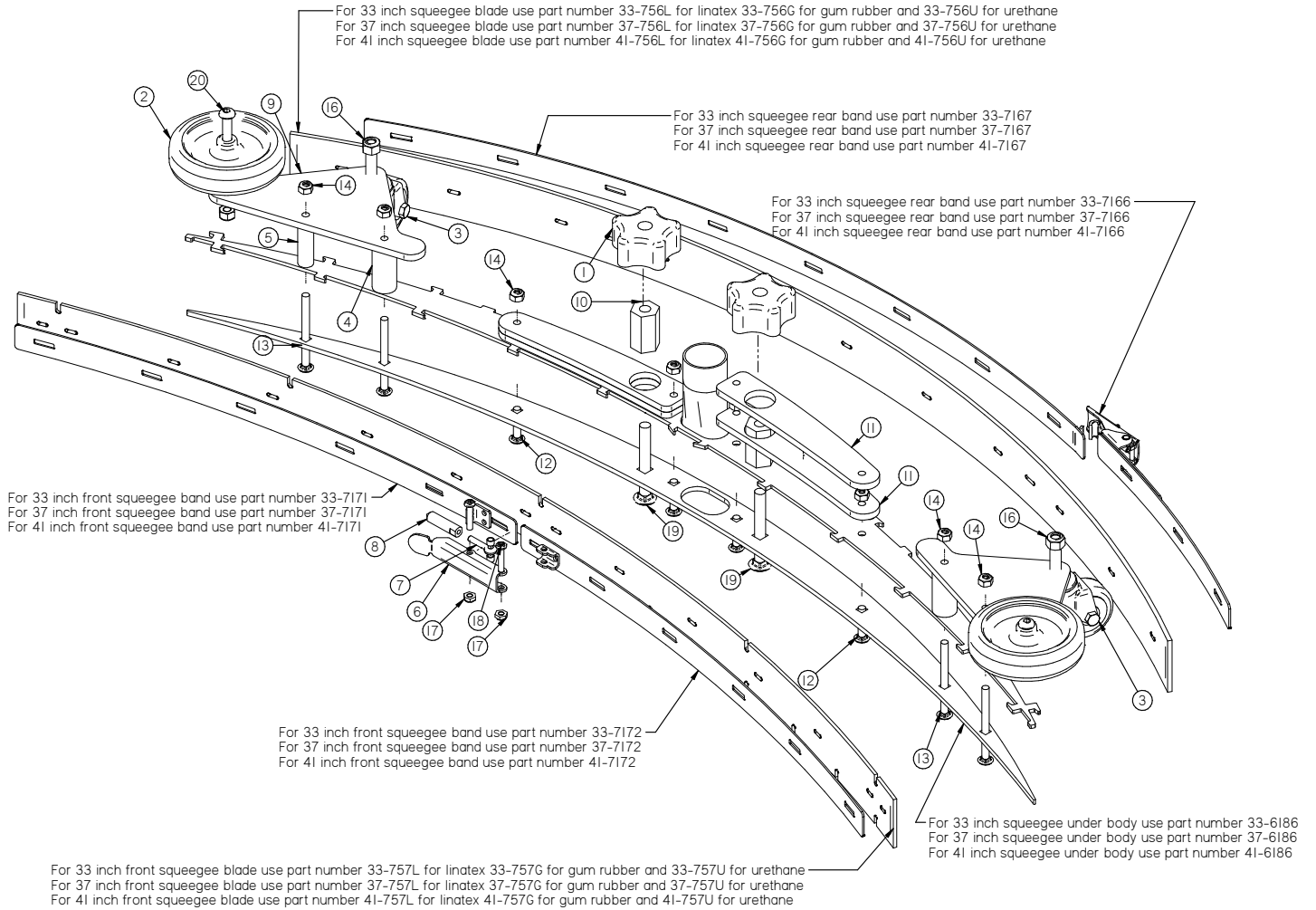
Item	Part No.	Part Description	Qty.
1	170-2111	BATTERY, 12 V, 155 AH	2
2	170-2121	BATTERY, 12 V, 140 AH FULL RIVER	3
3	200-2110	J150 PLUS 12V 150AH BATTERY	3



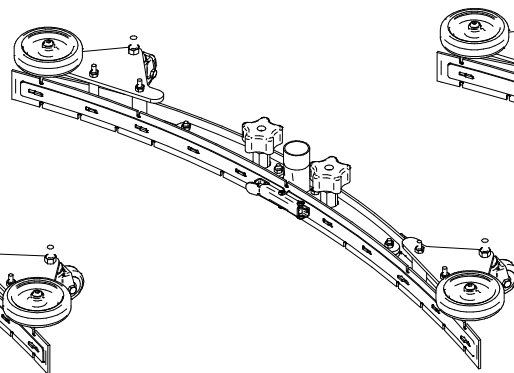
Item	Part No.	Part Description	Qty.
1	250-2441	36 VOLT 25 AMP BATTERY CHARGER	1
2	260-1012	UTILITIES PLATE (.36V.)	1
3	264-2440	ONBOARD CHARGER (.36V.)	1
4	264-9516	CHARGER CONECTOR BRACKET	1
5	300-01033Z	20 & 28" SPACER	4
6	4-260	CONNECTOR, GREY 50	2
7	400-1225	.375 NPT X .25 BARB X 90 DEG	1
8	H-04763	ELBOW, 90 DEG X 3/8" MNPT X 1/2" BARB, NYLON	1
9	H-21057	CB #10-24 X 1-1/4" ZINK	4
10	H-21157	CB 1/4"- 20 X 1.25" ZINK	2
11	H-37015	NYLOK #10-32 ZINK	4
12	H-37019	NYLOK 1/4"- 20 ZINK	2
13	H-37021	NYLOK 5/16" - 18 ZINK	2
14	H-37408	KN #10-32 ZINK	3
15	H-71010	FW #10 ID X 11/16 OD SS	4
16	H-9307K74	GROMMET, 1" ID X 1-3/4" OD BUNA-N	3

SQUEEGEES

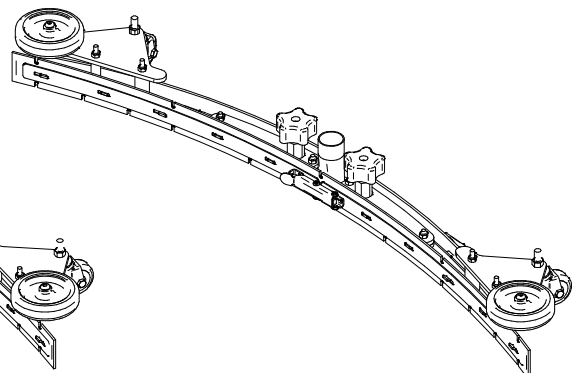
Item	Part No.	Part Description	Qty.	Item	Part No.	Part Description	Qty.
1	150-5786	STAR KNOB, 3/8-16 THREAD	2	11	41-6187	SQUEEGEE WEIGHT	4
2	150-7600	4" SIDE WHEEL (GREY)	2	12	H-21157	CB 1/4"- 20 X 1.25" ZINK	4
3	253-7570	CASTER	2	13	H-21165	CB 1/4"- 20 X 3.0" ZINK	4
4	35-0007	SQUEEGEE ROLLER SPACER	2	14	H-37019	NYLOK 1/4"- 20 ZINK	8
5	35-0008	SQUEEGEE ROLLER SPACER	2	15	H-37021	NYLOK 5/16"- 18 ZINK	2
6	35-0125-01	LATCH BODY	1	16	H-37025	NYLOK 3/8"-16 ZINK	2
7	35-0125-03	1/4-20 X 3.00 LG EYE BOLT, FULL THREAD	1	17	H-70858	NYLOK #10-32 SS	2
8	35-0126	RAM TIP	1	18	H-72536	PPH #10-32 X 1" S/S	2
9	35-7183	SQUEEGEE CASTER BRACKET	2	19	H-74441	CB 3/8"- 16 X 3.0" SS	2
10	35-8460	STANDOFF, 1.5"	2	20	H-94074	BHSCS 5/16-18 X 1.75 ZINK	2



33 INCH SQUEEGEE ASSEMBLY 33-



37 INCH SQUEEGEE ASSEMBLY 37-



41 INCH SQUEEGEE ASSEMBLY 41-

BLANK

THIS PAGE WAS INTENTIONALLY LEFT BLANK

RPS ***CORPORATION***

1711 South Street
Racine, WI 53404
www.rpscorporation.com
Tel. US: 800-634-4060
Tel. Int: (001) 262-681-3583